

PRODUCT CATALOG

Web Edition
2024



Albin Group

since 1928

albinus®

albinex®

CAPTAINS CHOICE

CAPTAINS CHOICE

Pump products that meet and exceed marine business standards in terms of functionality, quality, interchangeability, and price. Backed by an experienced team specifying the right product for the right application.

Albin Group Team

Albin Group



since 1928

albinus[®]

albinex[®]

info@albin.group

www.albin.group

Our focus is value for you. Simple as that.

Albin Group Marine is an expert in pumps and pump solutions for leisure and commercial boats. With us onboard you are sure to have the safest and most reliable product in any situation. For a life at sea where you are in charge and everything has to work. Builder, retailer or captain? Our products will last over time.

We know pumps and pump solutions for pleasure boats. Albin Group Marine develop a complete product portfolio for water management onboard: albinus Pumps and Pump Solutions, which include bilge pumps, waste water pumps, water pressure pumps, impeller pumps, replacement impellers, marine toilets, water heaters, ventilation blowers and defrosters, as well as water treatment products; and albinex Pump Out Stations for emptying your holding tanks in marinas. For improved comfort and safety onboard.

Albin Group has a long history with a strong heritage in the marine business. The name Albin was officially registered as a pump and engine manufacturer in 1911. Albin Pump Marine was established as part of the Albin Pump family in 2017. In 2020 Albin Pump Marine merged with Albin Group forming Albin Group Marine with the brands albinus and albinex.

1 Bilge Pump Systems.....	4	6 Replacement Impellers.....	58
Manual Bilge Pumps.....	5	Pleasure Boat Impellers.....	59
Submersible Standard Bilge Pumps.....	6	Commercial Boat Impellers.....	66
Aerator / Livewell Pumps.....	6	Special Impellers.....	73
Submersible Automatic Bilge Pumps.....	8	Premium Outboard Impellers.....	77
Submersible Heavy Duty Bilge Pumps.....	10	Impeller Tools.....	82
Accessories.....	11	7 Marine Toilets.....	83
Spare Parts.....	14	Manual Toilets.....	84
2 Water Pressure Systems.....	16	Standard Electric Toilets.....	85
Water Pressure Systems.....	17	Silent Electric Toilets.....	86
Universal WPS Kits.....	18	Silent Premium Toilets.....	87
Wash Down.....	19	Toilet Installation.....	88
Accessories / Spare Parts.....	20	Accessories / Spare Parts.....	90
3 Waste Water Systems.....	23	Spare Parts Schematics.....	102
Waste Water Diaphragm Pumps.....	24	8 Water Heaters.....	108
Macerator Pump.....	25	Stainless Steel Premium Water Heaters.....	109
Complete WasteWater Tank Kits.....	26	Accessories / Spare Parts.....	110
Accessories.....	27	9 Heaters and Defrosters.....	111
Spare Parts.....	28	Pleasure Boat Defrosters.....	112
4 General Purpose Pumps.....	29	Commercial Boat Defrosters.....	112
DC Impeller Pumps.....	30	Accessories.....	114
Gear Pumps.....	31	10 Ventilation Blowers.....	115
Accessories.....	32	Radial Ventilation Blowers.....	116
5 Self-Priming FIP Pumps.....	33	Flange-mounted Blowers.....	116
Engine Cooling Pumps.....	34	Flex-mounted Blowers.....	116
Volvo Penta Engines, Cooling Pumps.....	34	In-Line Ventilation Blowers.....	118
Volvo Penta Engines, High Speed Cooling Pumps.....	36	11 Pump Water Treatment.....	119
Crankshaft Engines, Cooling Pumps.....	37	Freshwater Purification Continual / Routine Use.....	120
Yanmar Engines, Cooling Pumps.....	37	Toilet System Treatment Continual / Routine Use.....	121
Scania Engines, Cooling Pumps.....	38	Holding Tank Treatment Intermittant / Seasonal Use.....	123
Craftsman Engines, Cooling Pumps.....	38	12 Circulation Pumps.....	124
Fisher Panda Engines, Cooling Pumps.....	38	DC driven Circulation Pumps with Brushless Motor.....	125
Catepillar Engines, Cooling Pumps.....	38	13 Pump Out.....	126
MAN Engines, Cooling Pumps.....	39	Pump Out Stations.....	127
Cummins Engines, Cooling Pumps.....	39	Pump Out Station Kits.....	128
Cummins/Onan Engines, Cooling Pumps.....	40	Spare Parts.....	129
Kohler Engines, Cooling Pumps.....	41		
ACFIP Pumps.....	42		
Pedastal FIP Pumps.....	42		
Pedestal Electro-Magnetic Clutch Pumps.....	43		
Electro-Magnetic Clutches and Coils.....	43		
Accessories.....	44		
Spare Parts.....	44		



1 Bilge Pump Systems

Developed for safe performance in all weather conditions and bilge environments. Easy to install and robustly engineered to maximize lifetime. For harsh saltwater and freshwater use, heavy duty motors with stainless steel shaft and durable high impact thermoplastic housing. Designed to be interchangeable, classified as safety products with 2 years limited warranty.

Manual Bilge Pumps.....	5
Submersible Standard Bilge Pumps	6
Aerator / Livewell Pumps.....	6
Submersible Automatic Bilge Pumps	8
Submersible Heavy Duty Bilge Pumps	10
Accessories	11
Spare Parts	14

albinus[®]

Manual Bilge Pumps

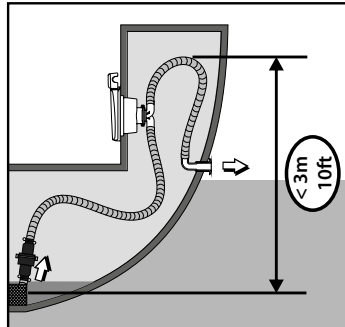
Manual Bilge Pump Flush Mount

Rugged, flush mounted manual bilge pump with integrated handle and appealing design. Install where the pump can be readily accessed while operating the boat; such as in the cockpit, wheelhouse or on deck for power loss situations or installation on boats without electrical systems.

- Compact, manually operated Bilge Pump with integrated handle in the pump cover
- Self-priming
- 3 m (9.8ft) lift/head
- Polypropylene body, metal fittings of stainless steel, nitrile rubber diaphragm and valves
- Heavy duty non-choke valves
- High-flow tricuspid valve on the outlet port
- Positionable elbow connectors, 2 x 25 mm and 2 x 38 mm (1" and 1½")
- Conforms to ISO 15083 Small Craft – Bilge Pump Systems

SKU	Capacity* 3 ft head (1 m)		Ports	Color	Dimensions WxDxH
	25 mm (1") connection	38 mm (1½") connection			
01-01-001	34.5 L/min (9.1 GPM)	45 L/min (11.9 GPM)	25 mm (1") and 38 mm (1½")	white	157 x 207 x 151 (25 mm connectors) 163 (38 mm connectors) mm
01-01-002				black	6.2x 18.1 x 5.9 (1" connectors) 6.4 (1½" connectors) inches

*45 strokes / min



Premium Hand Pump Surface Mount

A sturdy, compact, surface mounted and no-nonsense hand bilge pump for installation in smaller pleasure boats for bilge pumping. Install where the pump can be readily accessed while operating the boat; such as in the cockpit, wheelhouse or on deck for power loss situations or installation on boats without electrical systems.

- Mounting bracket for vertical or horizontal surface mounting
- One-hand operation
- Securely fastened, ergonomic operating handle
- Self-priming with single-chamber diaphragm and flap valves in Nitrile rubber
- Pump housing and handle in Polypropylene, metal fittings in stainless steel
- Heavy duty non-choke valves
- Conforms to ISO 15083 Small Craft – Bilge Pump Systems

SKU	Capacity* 3 ft head (1 m)	Ports	Dimensions WxDxH
01-01-003	0.5 Liter (0.13 US gal) per stroke	25 mm (1") hose	275 x 150 x 110 mm (10.8 x 5.9 x 4.3 inches)



Submersible Standard Bilge Pumps



Aerator / Livewell Pumps



Albinus' series of submersible Cartridge Bilge Pumps and Twinport Aerator Pumps that are designed with the latest technology in order to meet the requirements and standards for the marine industry. Sport fishing, water sports, cruising as well as commercial duties.

The series is based on the well-proven Albinus 12/24V motors for capacities 500 GPH, 750 GPH & 1100 GPH

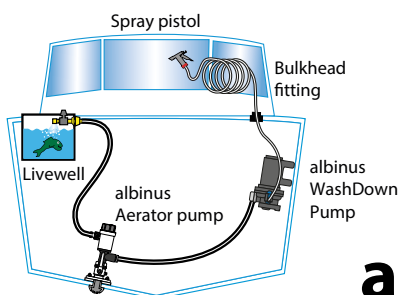
- Easy to install
- Detachable-port connections
- Straight and 90° elbow hose connections: 500 GPH & 750 GPH
- Easy to clean
- Replaceable Cartridge Motor
- Stainless steel shaft
- Tough Thermoplastic Housing
- Seawater resistant shaft seal
- Twinport Aerator pumps combine Livewell / Live bait aeration and washdown pump applications from a single intake

Cartridge Submersible Bilge Pump series

SKU	Description	Capacity straight	Capacity 3 ft - 0.9m	Amp	Fuse size	Connection	Dimensions W x L x H
01-02-002	Cartridge Bilge Pump 500 GPH 12V	500 GPH - 32l/min	400 GPH - 25l/min	1.8 A	5 A	3/4"	79x130x116.5 mm (3.1x5.1x4.6in)
01-02-003	Cartridge Bilge Pump 750 GPH 12V	750 GPH - 50l/min	660 GPH - 42l/min	2.7 A	5 A	3/4"	
01-02-004	Cartridge Bilge Pump 750 GPH 24V	750 GPH - 50l/min	660 GPH - 42l/min	1.5 A	5 A	3/4"	
01-02-005	Cartridge Bilge Pump 1100 GPH 12V	1100 GPH - 75l/min	1000 GPH - 65l/min	4 A	5 A	1 1/8" fixed	79x102x116.5 mm (3.1x4.0x4.6in)
01-02-006	Cartridge Bilge Pump 1100 GPH 24V	1100 GPH - 75l/min	1000 GPH - 65l/min	2.5 A	5 A	1 1/8" fixed	
01-02-007	Cartridge Bilge Pump Low 750 GPH 12V	750 GPH - 50l/min	660 GPH - 42l/min	2.7 A	5 A	3/4"	92x150x100mm (3.6x5.1x3.9in)
01-02-008	Cartridge Bilge Pump Low 1100 GPH 12V	1100 GPH - 75l/min	1000 GPH - 65l/min	4 A	5 A	1 1/8" fixed	81x150x90mm (3.2x5.1x3.5in)

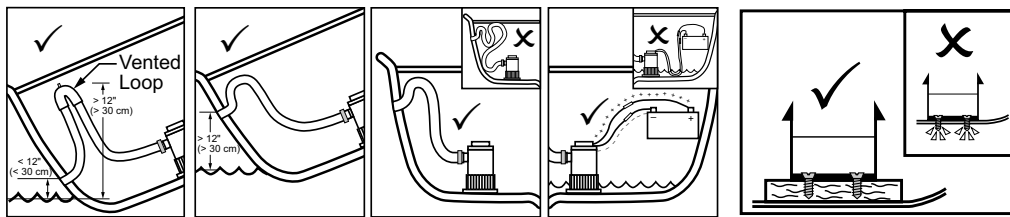
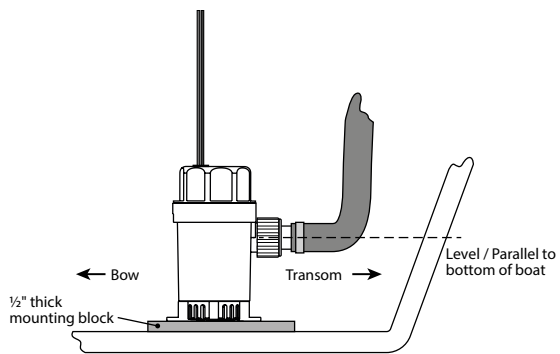
Aerator & Aerator Twinport Pump series

SKU	Description	Capacity straight	Capacity 3 ft - 0.9m	Amp	Fuse size	Connection	Dimensions W x L x H
01-05-078	Twinport Aerator Pump 500 GPH 12V Angled	500 GPH - 32l/min	400 GPH - 25l/min	1.8 A	5 A	3/4"	64 x 180 x 190 mm (2.5x7.1x7.5in)
01-05-080	Twinport Aerator Pump 750 GPH 12V Angled	750 GPH - 50l/min	660 GPH - 42l/min	2.7 A	5 A	3/4"	
01-05-082	Twinport Aerator Pump 1100 GPH 24V Angled	1100 GPH - 75l/min	1000 GPH - 65l/min	4 A	5 A	1 1/8" fixed	
01-05-077	Aerator Pump 500 GPH 12V Straight	500 GPH - 32l/min	400 GPH - 25l/min	1.8 A	5 A	3/4"	64x123x228mm (2.5x4.8x8.9in)
01-05-079	Aerator Pump 750 GPH 12V Straight	750 GPH - 50l/min	660 GPH - 42l/min	2.7 A	5 A	3/4"	
01-05-081	Aerator Pump 1100 GPH 12V Straight	1100 GPH - 75l/min	1000 GPH - 65l/min	4 A	5 A	1 1/8" fixed	64x97x228mm (2.5x3.8x8.9in)
01-05-074	Twinport Aerator Pump 500 GPH 12V Short stack	500 GPH - 32l/min	400 GPH - 25l/min	1.8 A	5 A	3/4"	64x123x146mm (2.5x4.8x5.7in)
01-05-075	Twinport Aerator Pump 750 GPH 12V Short stack	750 GPH - 50l/min	660 GPH - 42l/min	2.7 A	5 A	3/4"	
01-05-076	Twinport Aerator Pump 1100 GPH 12V Short stack	1100 GPH - 75l/min	1000 GPH - 65l/min	4 A	5 A	1 1/8" fixed	64x97x146mm (2.5x3.8x5.7in)

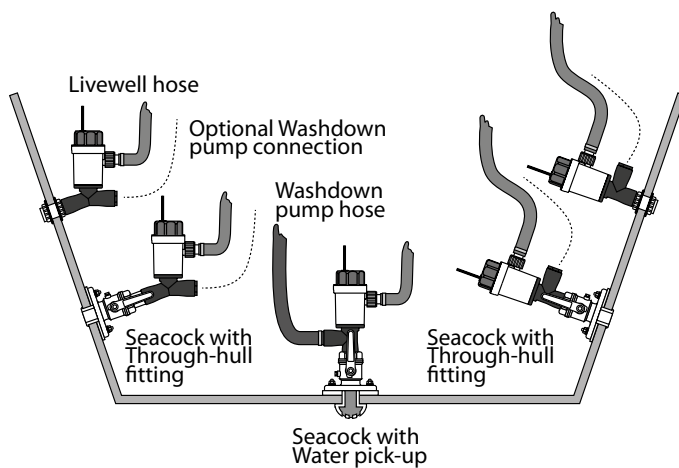


albinus[®]

Cartridge Submersible Bilge Pump Installation



Aerator & Aerator Twinport Pump Installation



albinus[®]

Submersible Automatic Bilge Pumps

The Cartridge Combo Bilge Pumps are Albinus' series of submersible Cartridge Bilge Pumps with a pre-installed Digital Bilge Switch for fully automatic operation. The Digital Bilge Switch employs no moving parts. Safely remove bilge water, even when no one is onboard. Disruption of the produced electric field by the bilge water activates your bilge pump automatically and shuts down the pump when the water level sinks to acceptable level. Designed with the latest technology in order to meet the requirements and standards for the marine industry. Sport fishing, water sports, cruising as well as commercial duties.

The series is based on the well-proven Albinus 12/24V motors for capacities 500 GPH, 750 GPH & 1100 GPH

- Easy to install
- Detachable-port connections
- Straight and 90° elbow hose connections: 500 GPH & 750 GPH
- Easy to clean
- Replaceable Cartridge Motor
- Stainless steel shaft
- Tough Thermoplastic Housing
- Seawater resistant shaft seal
- No moving parts in the Digital Bilge Switch, fully sealed
- Field sensing technology
- Non-corroding polymer housing
- Unaffected by oil or floating debris in the bilge
- Delayed activation / deactivation to avoid false starts / stops due to sloshing in the bilge
- 30 second pump shut-down cycle to ensure water evacuation

Cartridge Combo Bilge Pump Digital series

SKU	Description	Capacity straight	Capacity 3ft - 0.9m	Amp	Fuse size	Connection	Dimensions WxLxH
01-43-088	Cartridge Combo Bilge Pump 500 GPH Digital 12V	500 GPH - 32l/min	400 GPH - 25l/min	1.8 A	5 A	¾"	79x130x116.5 mm (3.1x5.1x4.6in)
01-43-089	Cartridge Combo Bilge Pump 750 GPH Digital 12V	750 GPH - 50l/min	660 GPH - 42l/min	2.7 A	5 A	¾"	
01-43-090	Cartridge Combo Bilge Pump 750 GPH Digital 24V	750 GPH - 50l/min	660 GPH - 42l/min	1.5 A	5 A	¾"	
01-43-091	Cartridge Combo Bilge Pump 1100 GPH Digital 12V	1100 GPH - 75l/min	1000 GPH - 65l/min	4 A	5 A	1 ½" fixed	79x102x116.5 mm (3.1x4.0x4.6in)
01-43-092	Cartridge Combo Bilge Pump 1100 GPH Digital 24V	1100 GPH - 75l/min	1000 GPH - 65l/min	2.5 A	5 A	1 ½" fixed	
01-43-093	Cartridge Combo Bilge Pump Low 750 GPH 12V	750 GPH - 50l/min	660 GPH - 42l/min	2.7 A	5 A	¾"	92x150x100 mm (3.6x5.1x3.9in)
01-43-094	Cartridge Combo Bilge Pump Low 1100 GPH 12V	1100 GPH - 75l/min	1000 GPH - 65l/min	4 A	5 A	1 ½" fixed	81x150x90 mm (3.2x5.1x3.5in)



Fully automatic with a built-in electrical level switch. Compact and easy to install. Stainless steel shaft, tough thermoplastic ABS housing and removable base plate with integrated strainer. Easy maintenance and low power consumption.

- Compact, all-in-one unit
- Integrated electrical level switch
- Detachable straight and elbow ports (500 GPH & 750 GPH), fixed straight port (1100 GPH)
- Automatic operation in harsh saltwater and freshwater use
- Mercury-free
- Easy hose assembly without risk of stress from overtightened hose clamps
- Universal base with removable clip-on base with integrated screen and detachable check valve
- Easy maintenance, no tools required
- 3-wire device for auto, manual or override mode
- Water-cooled motor for long service life, stainless steel shaft

Automatic Bilge Pump 500 GPH

SKU	Capacity	Capacity 3 ft head (1 m)	Ports	Voltage	Fuse	Dimensions
01-04-015	500 GPH (32 L/min)	400 GPH (25 L/min)	Detachable 3/4" (19 mm) straight and elbow	12V	3 A	5.9x3x3.7 inches (151 x 78x95 mm)

Automatic Bilge Pump 750 GPH

SKU	Capacity	Capacity 3 ft head (1 m)	Ports	Voltage	Fuse	Dimensions
01-04-016	750 GPH (50 L/min)	660 GPH (42 L/min)	Detachable 3/4" (19 mm) straight and elbow	12V	5 A	5.9x3x3.7 inches (151 x 78x95 mm)
01-04-017				24V	3 A	

Automatic Bilge Pump 1100 GPH

SKU	Capacity	Capacity 3 ft head (1 m)	Ports	Voltage	Fuse	Dimensions
01-04-018	1100 GPH (75 L/min)	1000 GPH (65 L/min)	Fixed 1 1/8" (29 mm) straight	12V	6 A	5.9x3x3.7 inches (151 x 78x95 mm)
01-04-019				24V	3 A	

Submersible Automatic Bilge Pumps



Submersible Heavy Duty Bilge Pumps

Easily installed and robustly engineered for maximum lifetime. Submersible for harsh saltwater and freshwater use; featuring heavy duty motor with stainless steel shaft; mechanical shaft seal; durable high impact thermoplastic housing and universal base screen. Designed to be interchangeable with same type bilge pumps on the market.

- Submersible for harsh saltwater and freshwater use
- Liquid cooled for extended motor life
- Heavy duty, AISI 316 steel shaft, double ball bearing motor
- Quality engineered mechanical seal
- Manual operation; automatic operation with optional float switch (Albinus 01-66-025) or digital bilge switch (Albinus 01-66-037)
- Removable check valve included
- Complies with ISO 8848, EN 55014 Marine
- Universal base plate with strainer and pin (for "T-slot") to attach a level switch for automatic operation
- Designed to be interchangeable with similar type bilge pumps.



Bilge Pump Heavy Duty 1750 GPH recommended for boat lengths > 10m (33 feet)

SKU	Capacity	Capacity 3 ft head (1 m)	Ports	Voltage	Fuse	Dimensions	Replaces
01-03-011	1750 GPH (110 L/min)	1350 GPH (85 L/min)	28mm (1 1/8") and 32mm (1 1/4")	12V	10 A	170x158x130mm (6.7x6.2x5.1 inches)	Rule 1500 Johnson Pump 16004-00 /32-1600-01
01-03-012				24V	6 A		Rule 1500 Johnson Pump 16084-00 /32-1600-02

Bilge Pump Heavy Duty 2250 GPH recommended for boat lengths > 12m (39 feet)

SKU	Capacity	Capacity 3 ft head (1 m)	Ports	Voltage	Fuse	Dimensions	Replaces
01-03-013	2250 GPH (140 L/min)	1900 GPH (120 L/min)	28mm (1 1/8") and 32mm (1 1/4")	12V	16 A	170x158x130mm (6.7x6.2x5.1 inches)	Rule 2000 Johnson Pump 22004 /32-2200-01
01-03-014				24V	9 A		Rule 2000 Johnson Pump 22084 /32-2200-02



Automatic Bilge Float Switch
SKU 01-66-025



Digital Bilge Switch 12V/24V
SKU 01-66-037

Compliment your bilge pumps with switches for automatic operation; control panels for combined automatic and manual operation; monitoring systems; non-return valves and bypass connectors.

Automatic Bilge Float Switch

Automate your electric bilge pump simply and effectively with an Albinus Automatic Float Switch. Safely remove bilge water, even when no one is onboard. Mechanical arm floats up with rising water level in the bilge and completes the circuit, activating your bilge pump. As the water level lowers the arm lowers and deactivates the pump.

- Rated for 500,000 cycles
- Durable thermoplastic ABS housing
- Mercury-free operation
- For salt water and fresh water use only

SKU	Service life	Voltage	Pump power draw	Dimensions
01-66-025	500,000 cycles	12V/24V/32V	Max. 14 A	110x70x50 high mm (4.3x2.8x2 inches)



Electronic Bilge Switch 12V/24V

The 12/24V Electronic Bilge Switch activates your bilge pump automatically when water exceeds the acceptable level and deactivates when the water level has receded. The Electronic Bilge Switch switches on the DC positive lead and can be used with SKU 01-66-027, Bilge Pump Panel 3-way 12/24V, in combination with any bilge pump.

- For a fully automatic removal of your bilge water connect a switch to your electrical bilge pump
- Fully sealed without any moving parts
- Will not corrode and is not affected by oil or debris
- The Albinus Electronic Bilge Switch is rated to handle all submersible pumps up to 20 amps at 12 or 24 volts

SKU	Voltage	Fuse	Power draw
01-66-036	12V/24V	according to the recommended fuse of the pump used	< 20 μ A in standby



Digital Bilge Switch 12V/24V

Fully automate your electric bilge pump with an Albinus Digital Bilge Switch that employs no moving parts. Safely remove bilge water, even when no one is onboard. Disruption of the produced electric field by the bilge water activates your bilge pump automatically and shuts down the pump when the water level sinks to acceptable level.

- No moving parts, fully sealed
- Field sensing technology
- Non-corroding polymer housing
- Unaffected by oil or floating debris in the bilge
- Delayed activation / deactivation to avoid false starts / stops due to sloshing in the bilge
- 30 second pump shut-down cycle to ensure water evacuation
- Switches on the Negative lead

SKU	Voltage	Fuse	Power draw	Dimensions W x H x D
01-66-037	12V/24V	according to the recommended fuse of the pump used	< 20 μ A in standby	26 x 64 x 5 mm (1 x 2 x 0.2 inches)





Digital Bilge Switch T-slot 12V / 24V

Albinus Digital Bilge Switch as above, but including T-slot clip mounting to hang the switch on the side of a pump equipped with universal T- pin. Safely remove bilge water, even when no one is onboard. Disruption of the produced electric field by the bilge water activates your bilge pump automatically and shuts down the pump when the water level sinks to acceptable level.

- T-slot clip mounting
- No moving parts, fully sealed
- Field sensing technology
- Non-corroding polymer housing
- Unaffected by oil or floating debris in the bilge
- Delayed activation / deactivation to avoid false starts / stops due to sloshing in the bilge
- 30 second pump shut-down cycle to ensure water evacuation

SKU	Voltage	Fuse	Power draw	Dimensions W x H x D
01-69-038	12V / 24V	according to the recommended fuse of the pump used	< 20 μ A in standby	26 x 64 x 5 mm (1 x 2 x 0.2 inches)

Bilge Pump Panel 3-way

Manage your bilge pump from the wheel house with the Albinus three-position Bilge Pump Panel. Manually activate and deactivate your electric bilge pump with the panel, or use the automatic setting in combination with Albinus' Automatic Bilge Float and Digital Bilge Switches or Automatic Submersible Bilge Pumps.

- Switch positions manual ON, OFF and Automatic
- Integrated operating light and fuse holder.

SKU	Voltage	Fuse	Dimensions W x H
01-66-027	12V / 24V	according to the recommended fuse of the pump used	100 x 61 mm (3.9 x 2.4 inches) (70 mm x 45 mm (2.8 x 1.8 inches) (W x H) hole in the mounting surface to accommodate the electronics)

Digital High Water Alarm

Fluid level sensor for marine applications. Electronic field sensing technology with digital accuracy automatically detects the bilge water level and at high levels sounds an audible and visual alarm on the panel.

- Easy installation
- No calibration required
- No moving parts and completely sealed for long-term durability
- Delayed activation / deactivation to avoid false starts / stops due to sloshing in the bilge
- Will not corrode in contact with salt water, fuel/ oil
- Not affected by foreign debris
- Robust against temperature and vibrations

SKU	Voltage	Fuse	Included in the Kit	Dimensions W x H x D
01-69-042	12V / 24V	1 A	<ul style="list-style-type: none"> • Display panel (1 LED + piezo alarm) with 6" (152mm) wire leads • Alarm sensor (screw-mounted) with 12" (305mm) wire leads • Fuse and fuse holder 	Sensor: 26 x 51 mm (1 x 2 inches) Panel: 76 x 56 x 35 mm (3 x 2.2 x 1.4 inches) 51 x 32 mm (2 x 1.25 inches) hole in the mounting surface to accommodate the electronics

NOTE! Not for use with metal holding tanks or for monitoring fuel/oil levels



By-Pass Connector

SKU 01-91-047

By-Pass connection for Albinus Manual Bilge Pump SKU 01-01-001 / -002, or bulk packed Albinus SKU 01-31-045 / -046.

- Allows for connecting both the manual pump with an electric submersible bilge pump* in-line, using the same hose and connectors
- Reduces the overall cost of a complete bilge pump system by facilitating the installation and reducing the material needed

*Only to be used with submersible centrifugal type bilge pumps because the electric pump needs to act as strainer without blocking the water when operating the manual bilge pump



Non-Return Valve 25 mm (1"), 38 mm (1½")

SKU 01-91-048

In-line Non-Return Valve for a safe and reliable pump system.

- Prevents water from returning when pumping out
- Provides extra safety when pumping water with debris or other waste with self priming diaphragm pumps



Bilge strainer with non-return valve

- Maintains water in the suction line for easy prime
- Horizontal and vertical flow
- Prevent bilge debris blocking the pump or inlet suction line
- Easy to maintain and clean

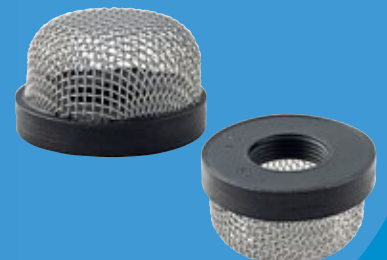


SKU	Description	Connections
01-91-065	Bilge Strainer Vertical	25 / 38 mm (1" / 1½")
01-91-066	Bilge Strainer Horizontal	25 / 38 mm (1" / 1½")

Threaded Aerator Strainer Large Mesh ¾"-14

To be used for aeration with aerator pump in live bait tanks.

SKU	Description	Connections
01-65-087	Threaded Aerator Strainer Large Mesh	¾"



¾" Barbed 90 Degree Adjustable Aerator Head ON/OFF

To be used for aeration with aerator pump in live bait tanks.

SKU	Description	Connections
01-65-088	Threaded Aerator Strainer Large Mesh	¾"



Spare Parts



Outlet Port HD Bilge 25mm (1") Bulk 10pcs

SKU	Description
01-63-015	Outlet port straight 25 mm (1"), for Submersible Heavy Duty Bilge Pumps, bulk pack, 10 pcs



Outlet Port HD Bilge 28,6mm (1.1/8")

SKU	Description
01-63-016	Outlet port straight 28.6 mm (1 1/8"), for Submersible Heavy Duty Bilge Pumps



Inlet port 90 deg. 25 mm (1")

SKU	Description
01-91-050	Inlet port 90° 25 mm (1"), for Manual Bilge Pump Flush Mount: SKU 01-01-001, 01-01-002



Inlet port 90 deg. 38 mm (1.1/2")

SKU	Description
01-91-052	Inlet port 90° 38 mm (1 1/2"), for Manual Bilge Pump Flush Mount: SKU 01-01-001, 01-01-002



Outlet port 90 deg. 25 mm (1")

SKU	Description
01-91-054	Outlet port 90° 25 mm (1"), for Manual Bilge Pump Flush Mount: SKU 01-01-001, 01-01-002



Outlet port 90 deg. 38 mm (1.1/2")

SKU	Description
01-91-056	Outlet port 90° 38 mm (1 1/2"), for Manual Bilge Pump Flush Mount: SKU 01-01-001, 01-01-002

Replacement Motor Cartridge for Cartridge, Cartridge Combo Bilge Pumps and Twinport Aerator Pumps (not for Electronic Automatic Cartridge Bilge Pumps)

- Quickly and easily replace and /or upgrade to higher capacity motor
- Available for 12/24V and capacities 500 GPH, 750 GPH & 1100 GPH

SKU	Description
01-92-083	Replacement Cartridge Motor 500 GPH 12V
01-92-084	Replacement Cartridge Motor 750 GPH 12V
01-92-085	Replacement Cartridge Motor 750 GPH 24V
01-92-086	Replacement Cartridge Motor 1100 GPH 12V
01-92-087	Replacement Cartridge Motor 1100 GPH 24V

T Slot Clip Digital Bilge Switch

SKU	Description
01-99-036	Clip for easily attaching an Albinus digital bilge switch to a bilge pump with T-slot hardware





2 Water Pressure Systems

Water Pressure Systems for providing pressurized water on demand. Our WPS 300 series and 500-premium series pumps supply continuous, pulsation-free, pressurized flow of both hot and cold water to faucets, shower heads and more. Choose between the 3- and 5- chamber diaphragm pumps, depending on required flow rates and number of faucets to be served. Also available in wash down configuration with pressures up to 5 bar (70psi).

Water Pressure Systems	17
Universal WPS Kits.....	18
Wash Down Pumps.....	19
Accessories / Spare Parts	20

albinus[®]

Water Pressure Systems

Albinus WPS300-series 3-chamber and WPS500-Premium Series 5-chamber diaphragm Water Pressure System pumps for providing pressurized water on demand! Our WPS pumps supply continuous, pulsation-free, pressurized flow of both hot and cold water to faucets, shower heads and more. Choose between the 3- and 5-chamber diaphragm pumps, depending on required flow rates and number of faucets to be served.

- Easy to install
- Integrated extra heavy duty sealed pressure switch
- Smooth & Pulsation-free flow
- Quiet operation
- Serves multiple outlets
- Self-priming 2 m (6.5 feet); WPS 5.3 – 2.5 m (8.2 ft)
- Quick disconnect ports
- Connection with ½" hose (also ¾" 500-Premium Series)
- Click-on 40-mesh strainer included
- Composite base mount for even quieter operation
- Manufactured according to CE standard; EN55014-1, ISO 88461 & ISO10133. Under approval

WPS300-Series 3-Chamber Standard Water Pressure Pumps

WPS 2.6

SKU	Description	Capacity	No. of outlets	Pressure cutoff	Voltage	Fuse size	Quick Connection	Dimensions
02-01-003	WPS 2.6 12V	9.8 L/min (2.6 GPM)	1 to 3	2.8 bar (41 psi)	12V	10A	½" hose	205x219x110 mm (8.1x8.6x4.3 inches)

WPS 3.5

SKU	Description	Capacity	No. of outlets	Pressure cutoff	Voltage	Fuse size	Quick Connection	Dimensions
02-01-004	WPS 3.5 12V	13 L/min (3.5 GPM)	1 to 3	2.8 bar (41 psi)	12V	10A	½" hose	205x219x110 mm (8.1x8.6x4.3 inches)
02-01-005	WPS 3.5 24V				24V	5A		

WPS500-Premium Series 5-Chamber High Capacity Water Pressure Pumps

WPS 4.0

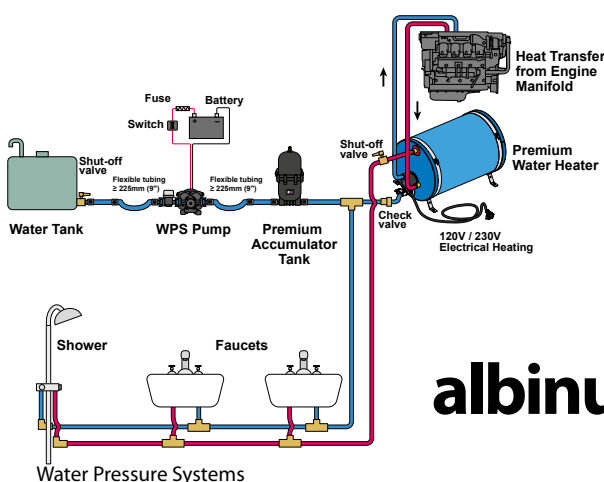
SKU	Description	Capacity	No. of outlets	Pressure cutoff	Voltage	Fuse size	Quick Connection	Dimensions
02-02-006	WPS 4.0 12V	15 L/min (4.0 GPM)	1 to 5	2.8 bar (41 psi)	12V	10A	½" and ¾" hose	215x224x112 mm (8.4x8.8x4.4 inches)
02-02-007	WPS 4.0 24V				24V	5A		

For WPS systems: install the WPS pump together with acc. Tank 02-66-022

WPS 5.3

SKU	Description	Capacity	No. of outlets	Pressure cutoff	Voltage	Fuse size	Quick Connection	Dimensions
02-02-008	WPS 5.3 12V	20 L/min (5.3 GPM)	1 to 6	2.8 bar (41 psi)	12V	15A	½" and ¾" hose	215x224x112 mm (8.4x8.8x4.4 inches)
02-02-009	WPS 5.3 24V				24V	8A		

For WPS systems: install the WPS pump together with acc. Tank 02-66-022



albinus®

Universal WPS Kits

Albinus Universal WPS Kits are pre-assembled for easy installation – wall or foot mounting – in one unit. Including the latest technology in water pressure pumps with our patented pulsation dampering accumulator tank, more silent and reliable.

WPS300-series 3-chamber or WPS500-Premium Series 5-chamber diaphragm Water Pressure System pumps are integrated with our corrosion-free, patented accumulator tank for providing smooth-flowing, pressurized water on demand! Our WPS pumps supply continuous, pulsation-free, pressurized flow of both hot and cold water to faucets, shower heads and more. Choose between the 3- and 5-chamber diaphragm pumps, depending on required flow rates and number of faucets to be served.

- Easy to install
- Integrated extra heavy duty sealed pressure switch
- Smooth & Pulsation-free flow
- Quiet operation
- Serves multiple outlets
- Self-priming 2 m (6.5 feet); WPS 5.3 – 2.5 m (8.2 ft)
- Quick disconnect ports
- Connection with ½" hose (also ¾" 500-Premium Series)
- Click-on 40-mesh strainer included
- Pre-assembled on stainless steel mounting plate
- Manufactured according to CE standard; EN55014-1, ISO 88461 & ISO10133. Under approval



WPS300-Series 3-Chamber Standard Water Pressure Pumps

Universal Kit WPS 3.5

SKU	Description	Capacity	No. of outlets	Pressure cutoff	Voltage	Fuse size	Quick Connection	Dimensions
02-03-010	mounted WPS 3.5 12V + Premium Accumulator Tank 0.85 L (0.22 gal)	13 L/min (3.5 GPM)	1 to 3	2.8 bar (41 psi)	12V	10 A	½" hose	242x290x167 mm (9.5x11.4x6.6 inches)
02-03-011	mounted WPS 3.5 24V + Premium Accumulator Tank 0.85 L (0.22 gal)				24V			



WPS500-Premium Series 5-Chamber High Capacity Water Pressure Pumps

Universal Kit WPS 5.3

SKU	Description	Capacity	No. of outlets	Pressure cutoff	Voltage	Fuse size	Quick Connection	Dimensions
02-03-012	mounted WPS 5.3 12V + Premium Accumulator Tank 0.85 L (0.22 gal)	20 L/min (5.3 GPM)	1 to 6	2.8 bar (41 psi)	12V	15 A	½" and ¾" hose	242x290x167 mm (9.5x11.4x6.6 inches)
02-03-013	mounted WPS 5.3 24V + Premium Accumulator Tank 0.85 L (0.22 gal)				24V			



Albinus WD300-Premium Series 3-chamber and WD500-Premium Series 5-chamber diaphragm Wash Down pumps for providing pressurized water on demand! Attach a spray nozzle for efficient deckwash or wash down duties!

- Easy to install
- Integrated extra heavy duty sealed pressure switch
- Smooth & Pulsation-free flow
- Quiet operation
- Self-priming WD 3.4 – 2 m (6.5 feet); WD 5.2 – 2.5 m (8.2 ft)
- Quick disconnect ports
- Connection with ½" hose
- Click-on 40-mesh strainer included
- Composite base mount for even quieter operation (WD 3.4)
- Manufactured according to CE standard; EN55014-1, ISO 88461 & ISO10133. Under approval

WD300-Premium Series 3-Chamber Wash Down Pumps

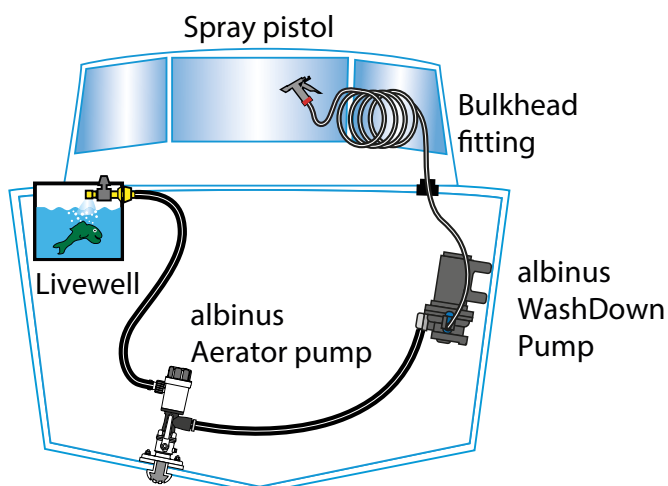
WD 3.4

SKU	Description	Capacity	Pressure cutoff	Voltage	Fuse size	Quick Connection	Dimensions
02-04-014	WD 3.4 12V	12.9 L/min (3.4 GPM)	5 bar (70 psi)	12V	15 A	½" hose	245 x 219 x 105 mm (9.6 x 8.6 x 4.1 inches)

WD500-Premium Series 5-Chamber Wash Down Pumps

WD 5.2

SKU	Description	Capacity	Pressure cutoff	Voltage	Fuse size	Quick Connection	Dimensions
02-04-015	WD 5.2 12V	20 L/min (5.2 GPM)	5 bar (70 psi)	12V	20 A	½" hose	215 x 224 x 112 mm (8.5 x 8.8 x 4.4 inches)
02-04-016	WD 5.2 24V			24V	10 A		



Accessories / Spare Parts



Compliment your pressurized water system with a pulsation dampening accumulator tank and keep debris from damaging your water pressure pumps with an inlet strainer.

Premium Accumulator Tank

Accumulator and pulsation dampening tank for water pressure systems. Premium solution for a maximum smoothness of flow system. New, patent pending design for fully realizing the dampening of vibrations / water hammering often experienced in the pipe work of water pressure systems.

- Corrosion free
- Patent pending.

SKU	Capacity	Dimensions	Connections
02-66-022	0.85 L (0.22 gal)	125 x 125 x 230 mm (5 x 5 x 9 inches)	½" hose or ¾" female thread



WPS/WD Inlet Strainer 40 Mesh

Protect your pump to ensure long service life and optimal performance. Inlet strainer 40 µm-mesh with universal quick connect for WPS/ WD pump inlets.

- Easily removable cover for regular maintenance

SKU	Strainer mesh	Connections
02-99-023	40 Mesh	Quick connections for Albinus WPS/ WD pumps



Hose Coiled 7.5 m (25 ft)

Coiled hose for wash down puposes.

- Fits Albinus SKU 02-65-033 / 035 (Through Deck Threaded Hose Connector / Heavy Duty SS Through Deck Threaded Hose Connector)

SKU	Length	Connections
02-65-029	7.5 m (25 ft)	Threaded ½" male and female connections



Expandable Hose 15 m (50 ft)

Expandable hose for wash down puposes.

- Fits Albinus SKU 02-65-033 / 035 (Through Deck Threaded Hose Connector / Heavy Duty SS Through Deck Threaded Hose Connector)

SKU	Length	Connections
02-65-031	15 m (50 ft) expanded	Threaded ½" male and female connections

Accessories / Spare Parts

Through Deck Threaded Hose Connector ON/OFF

Threaded bulk head fitting, through deck connector for wash down purposes.

- Fits Albinus SKU 02-65-029 / 031 (Hose Coiled 7.5 m / Expandable Hose 15 m)

SKU	Connections
02-65-033	Threaded ½" male connection

Heavy Duty SS Through Deck Hose Connector

Bulk Head professional stainless steel through deck fitting for wash down pumps.

- Fits Albinus SKU 02-65-029 / 031 (Hose Coiled 7.5 m / Expandable Hose 15 m)

SKU	Connections
02-65-035	Quick connect handle connector threaded ½" and automatic check valve shut off

Wash Down Pump Panel 2-way 12/24V

Remotely operate your wash down pump from Albinus' two-positions switch wash down pump control panel 12/24V.

- Switch positions ON and OFF
- Integrated fuse holder, fuse and operating light

SKU	Voltage	Fuse	Dimensions W x H
02-69-032	12V / 24V	according to the recommended fuse of the pump used	100 x 61 mm (3.9 x 2.4 inches) (70 mm x 45 mm (2.8 x 1.8 inches) (W x H) hole in the mounting surface to accommodate the electronics)

Trigger Action Spray Nozzle

Professional heavy-duty, jet spray pistol handles water flow change by a pressure sensitive handle. Orange lock nut can be rotated 90 degrees to lock any water pattern in place for a continuous spray and releases with a single touch.

- Made of UV-stabilized and weatherproof ABS plastic
- Quick-click® hose adapter with water-stop feature for automatic water shut-off
- Pressure sensitive handle with locking back trigger

SKU	Material	Connection	Dimensions W x H x D
02-95-025	UV-stabilized and weatherproof ABS plastic	Female Quick-click® hose adaptor with water-stop	137 x 165 x 31 mm (5.4 x 6.5 x 1.2 inches)

Multi Functional Spray Nozzle

Trigger action spray nozzle, hand held spray gun, for multi purposes such as showering, watering as well as wash down. Fits coiled and expandable hose SKU 02-65-029, 02-65-031.

SKU	Material	Connection
02-95-029	UV-stabilized and weatherproof ABS plastic	Female Quick-click® hose adaptor with water-stop

Female Automatic Coupling ½"

Hose connector suitable for connecting 13mm (1/2") garden hose pipes to accessories and components with a male quick click connector. The coupling features a female quick click connection for easy attachment to a male quick click connection.

SKU	Material	Connection
02-95-026	UV-stabilized and weatherproof ABS plastic	Female Quick-click® fits ½" (13 mm) hose

albinus®



Accessories / Spare Parts



Female Water Stop Hose End Connector

Female hose end connector with shut off that converts twist-on threaded connections to a quick-click system. Water flow automatically shuts off when nozzle is removed. Interchangeable with most quick connector systems.

SKU	Material	Connection	Dimensions W x H x D
02-95-027	UV-stabilized and weatherproof ABS plastic	Female Quick-click® hose adaptor with water-stop	33 x 48 x 33 mm (1.3 x 1.9 x 1.3 inches)

Quick-Click® Threaded Faucet Connector-Male Adapter

Male faucet adapter that easily threads onto your outdoor faucet for a convenient use of the quick-click system. Interchangeable with most quick connector systems makes changing hoses and accessories quick and easy.

- Easily threads onto outdoor faucet
- Interchangeable with most quick connector systems
- Allows use with quick-click® system

SKU	Material	Connection	Dimensions W x H x D
02-95-028	UV-stabilized and weatherproof ABS plastic	Male Quick-click® faucet adaptor	33 x 38 x 33 mm (1.3 x 1.5 x 1.3 inches)

KLICKIN quick connectors for common hose sizes and configurations make it possible to completely remove the entire component for cleaning at any time. Simplify the draining of the system quickly for effortless winterizing without the use of any tools.

KLICKIN Port Connectors Hose 1/2"

SKU	Connection	Configuration	Color
02-99-035	1/2" hose	Straight	black
02-99-036		Elbow	

KLICKIN Port Connectors Hose 3/4"

SKU	Connection	Configuration	Color
02-99-037	3/4" hose	Straight	black
02-99-038		Elbow	

KLICKIN Port Connectors Tube 15 mm

SKU	Connection	Configuration	Color
02-99-043	15 mm tube	Straight	black
02-99-044		Elbow	

KLICKIN Port Connectors Tube 5/8"

SKU	Connection	Configuration	Color
02-99-045	5/8" tube	Straight	white
02-99-046		Elbow	



3 Waste Water Systems

Pumps and systems including everything needed for trouble free waste water management onboard. Demanding product specifications to provide extra comfort and to avoid waste water handling problems. High capacity macerator pump shreds the waste before pumping out, diaphragm pumps in different configurations provide a safe year on year grey and black water transport.

Waste Water Diaphragm Pumps	24
Macerator Pump	25
Complete Waste Water Tank Kits.....	26
Accessories	27
Spare Parts	28

albinus[®]

Waste Water Diaphragm Pumps

Single chamber, self priming, diaphragm pumps for grey or bilge water.

- Shower drain, transfer or pump out
- Flexible installation with 360 degree rotational ports
- Quiet operation
- Low power consumption
- Operates with no need for filter
- Can run dry without to damage the pump

Waste Water Diaphragm Pump 22 L

SKU	Type	Capacity	Voltage	Fuse size	Connections	Dimensions LxWxH	Interchangeable with
03-01-001	Bilge / Grey water; shower drain, transfer or pump out; self-priming up to 2.5 m (8 ft)	22 L / min (5.8 GPM)	12V	4.5 A	19 mm (¾") and 25 mm (1") straight connectors	305 x 195 x 125 mm (12 x 6.5 x 4.9 in)	Johnson Pump 10-13350-03, Jabsco 50880-1000, Whale Gulper 220-12V
03-01-002			24V				2.5 A

Waste Water Diaphragm Pump 32 L

SKU	Type	Capacity	Voltage	Fuse size	Connections	Dimensions LxWxH	Interchangeable with
03-01-003	Waste water, Black Water transfer or pump out; self-priming up to 2.5 m (8 ft)	32 L / min (8.5 GPM)	12V	6 A	38mm (1½") straight and 90° rotational connectors	355 x 195 x 125 mm (14 x 6.5 x 4.9 in)	Johnson Pump 10-13373-03, Jabsco 50890-1000, Whale Gulper 320-12V
03-01-004			24V				3 A

Waste Water Diaphragm Pump Vacuum 28 L

SKU	Type	Capacity	Voltage	Fuse size	Connections	Dimensions LxWxH	Interchangeable with
03-01-029	Waste water, Black Water/Bilge transfer or pump out; self-priming up to 3 m (10 ft)	28 L / min (7.4 GPM)	12V	6 A	38mm (1½") straight and 90° rotational connectors	355 x 195 x 125 mm (14 x 6.5 x 4.9 in)	Johnson Pump 10-13373-07
03-01-030			24V				3 A

Compact Waste Water Diaphragm Pump 22 L

SKU	Type	Capacity	Voltage	Fuse size	Connections	Dimensions LxWxH
03-01-015	Compact design Bilge / Grey water; shower drain, transfer or pump out; self-priming up to 2.5 m (8 ft)	22 L / min (5.8 GPM)	12V	4.5 A	19 mm (¾") and 25 mm (1") straight connectors	190 x 245 x 125 mm (7.5 x 9.6 x 4.9 in)
03-01-016			24V			

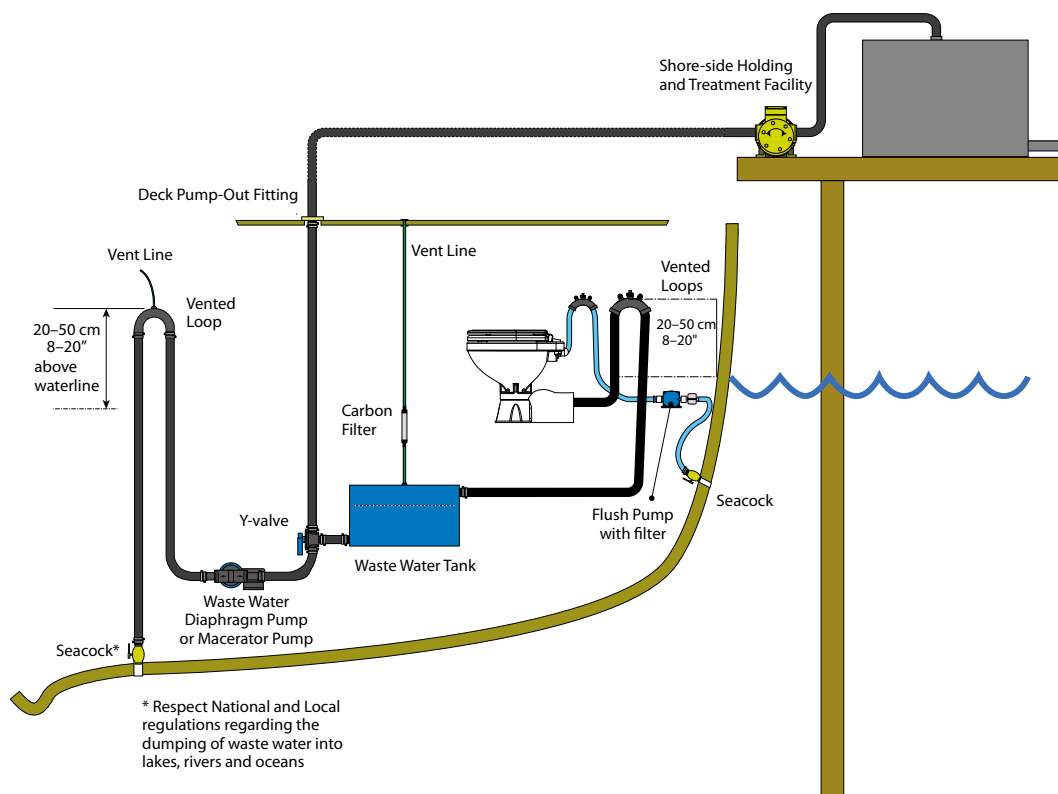
Macerator Pump

The Albinus Macerator Pump is equipped with a rotary cutter for shredding toilet waste – directly from the marine toilet or septic holding tank – and a high capacity, self-priming impeller pump for discharging toilet waste water.

- Shred toilet waste before pumping into septic holding tank or when emptying the septic tank at a dockside facility
- Shredded toilet waste is easily pumped through a 25 mm (1") discharge hose
- Self-priming ability allows the pump to be located above the holding tank. For best efficiency, locate the pump as close to the holding tank as possible.
- For intermittent use only; do not run for more than 15 minutes at a time. Approximately 1 to 2.5 minutes operation will empty holding tanks from 30L (8 gal) to 100L (26 gal) tank.
- Must not be permitted to run dry for more than 30 seconds
- Replacement Impeller Albinus part number 06-01-009

Macerator Pump 43 L

SKU	Type	Capacity	Voltage	Fuse size	Connections	Dimensions	Interchangeable with
03-01-005	Bilge / Grey water; shower drain, transfer or pump out; self-priming up to 2.5 m (8 ft)	43 L / min (11.5 GPM)	12V	12 A	Inlet port: 1½" hose (38 mm) or 1½" BSP Outlet port: 1" hose (25 mm)	240 x 130 x 90 mm (9.5 x 5.1 x 3.5 inches)	Johnson Pump 10-24453-04 Jabco 18590-2092
03-01-006			24V	7 A			Johnson Pump 10-24453-05 Jabco 18590-2094



albinus®

Complete WasteWater Tank Kits



Albinus offers two sizes of Black Water tank kits; complete with either a Waste Water Diaphragm Pump or a Macerator Pump, ready for easy installation!

- 47 L (12.5 gal) or 72 L (19 gal) rectangular tanks of linear, low density polyethylene, which is the best suited material for holding tanks because of resistance to corrosion and odor permeation.
- 32 L Waste Water Diaphragm Pump or Macerator Pump 43 L
- Included gas vent, active carbon filter, control panel and probe for level control.

47 L Waste Water Tank CPL Diaphragm

SKU	Pump Type	Capacity	Voltage	Included in Kit	Dimensions L x H x W	Weight
03-02-007	32 L Diaphragm Pump	47 L (12.5 gal)	12V	gas vent, active carbon filter, control panel and probe for level control	480 x 330 x 400 mm (19 x 13 x 15.75 in)	19 Kg (42 lbs)

72 L Waste Water Tank CPL Diaphragm

SKU	Pump Type	Capacity	Voltage	Included in Kit	Dimensions L x H x W	Weight
03-02-008	32 L Diaphragm Pump	72 L (19 gal)	12V	gas vent, active carbon filter, control panel and probe for level control	700 x 300 x 400 mm (27.5 x 11.8 x 15.75 in)	20 Kg (44 lbs)

47 L Waste Water Tank CPL Macerator

SKU	Pump Type	Capacity	Voltage	Included in Kit	Dimensions L x H x W	Weight
03-02-009	Macerator 43 L Pump	47 L (12.5 gal)	12V	gas vent, active carbon filter, control panel and probe for level control	480 x 330 x 400 mm (19 x 13 x 15.75 in)	24 Kg (52 lbs)
03-02-027			24V			

72 L Waste Water Tank CPL Macerator

SKU	Pump Type	Capacity	Voltage	Included in Kit	Dimensions L x H x W	Weight
03-02-010	Macerator 43 L Pump	72 L (19 gal)	12V	gas vent, active carbon filter, control panel and probe for level control	700 x 300 x 400 mm (27.5 x 11.8 x 15.75 in)	25 Kg (55 lbs)
03-02-028			24V			

Sensing Shower Sump 12V

Multi-port Shower Sump with Electronic Automatic Bilge Pump that, without the need for an external float or digital switch, automatically senses the presence of water; switching on the pump and automatically switching the pump off when the water is emptied.

- Multiple inlet ports: 3/4", 3/4" or 1", 1 1/8" or 1 1/2"; able to handle more than one tapping point
- Outlet port 3/4"

SKU	Pump Type	Capacity	Voltage	Included in Kit	Dimensions L x H x W	Weight
03-03-013	750 GPH 12V Electronic Automatic	50 L/min 750 GPH	12V	multi-port shower sump with cover and mesh cage, 750 GPH Electronic Automatic Bilge Pump	334 x 112 x 215 mm 13 x 4.4 x 8.5 in	1.2 Kg (2.6 lbs)

Complement your Waste Water System with Albinus Active Carbon Filters and waste tank Level Monitoring equipment.

Active Carbon Filter

To facilitate the dispersal of gases built up in the waste tank and the ease of emptying, the tank must be ventilated. The Active Carbon Filter will absorb heavier-than-air gases associated with organic waste and eliminate a source of malodor from the vent at the exterior of the boat.

- Adjustable ports

SKU	Port sizes	Weight
03-66-011	16 – 19 – 25 mm (5/8 – 3/4 – 1 in) adjustable ports	0.15 Kg (0.25 lbs)

Tank Level Indicator Kit 12/24V

Level indication panel and tank probes in stainless steel for waste water tank.

- 3 scale LED to indicate when tank is almost full and full.
- Both probe holder and panel have VDO connections

SKU	Voltage	Included in Kit
03-66-012	12V / 24V	indicator panel, stainless steel probes and wiring

Inlet-Outlet Connector 38 mm (1½") BSP Thread 1¼"

Spare Inlet-Outlet Connector 38 mm (1½") BSP Thread 1¼" for waste water tanks, to be used connecting through deck for pump out with pump out station.

SKU	Connections
03-66-021	38 mm (1½") BSP Thread 1¼"

See also **7 Marine Toilets** for Albinus' selection of Vented loops and Y-valves!



albinus[®]



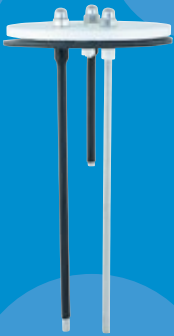


Digital Tank Level Monitor Kit 12/24V

12/24V Digital fluid level sensor for plastic holding tanks on marine, RV and agricultural applications.

- Sensor monitors the liquid level from the outside of the tank
- Can be wired for detecting either low liquid level or high liquid level
- Sensor can be wired to the LED indicator panel, audio buzzer or relay to remote signaling device.
- Time delay on activation and deactivation to counter false signals due to sloshing of the liquid in the tank

SKU	Voltage	Included in Kit
03-69-017	12V/24V	305 mm (12") wire leads, display panel 12/24V with LED indicator light 12/24V, fuses and fuse holder.



Level Indicator Probes

SKU	Description
03-99-014	Replacement stainless steel level indicator probes for albinus SKU 03-66-012



Valve Kit for Diaphragm Pump Vacuum

SKU	Description
03-91-031	Replacement valve kit in silicon material, containing 4 pcs, for Waste Water Diaphragm Pump Vacuum 28L



Valve Kit for Diaphragm Pump

SKU	Description
03-91-032	Replacement valve kit in NBR material, containing 2 pcs, for Waste Water Diaphragm Pump 32L, as well as 22L and Compact 22L

DC Impeller Pumps

Albinus FIP DC Pumps are self-priming with reversible flow direction – ideal for dockside services such as bilge and deckwash pumps, refueling pumps for diesel and oils as well as for fresh water and ballast pumping.

- Rugged Flexible Impeller General Purpose Pumps in Thermo polymer or brass bodies, stainless steel shafts and Premium oil-resistant impeller
- Self priming up to 3 meter – 9.8 ft.
- Reversible flow by simply changing the polarity
- Small bilge debris present no problems for APM FIP DC Pumps.
- Flexible impeller pumps must not be permitted to run dry for more than 30 seconds
- Keep your FIP pumps running optimally by inspecting the Nitrile impeller before each season and, if necessary, replace with Albinus replacement Impeller part number 06-01-009



FIP F2

SKU	Capacity	Voltage	Fuse size	Connections	Dimensions	Interchangeable with
04-01-001	30 L/min (8 GPM)	12V	8 A	19 mm (¾") hose	160x120x90 mm (6.3x4.7x3.5 inches)	Johnson Pump 10-24886-01 Jabsco 23670-4003
04-01-002		24V	4 A			Johnson Pump 10-24886-02 Jabsco 23671-4103



FIP F3

SKU	Capacity	Voltage	Fuse size	Connections	Dimensions	Interchangeable with
04-01-003	35 L/min (9.3 GPM)	12V	8 A	19 mm (¾") hose	160x120x90 mm (6.3x4.7x3.5 inches)	Johnson Pump 10-24516-01 Jabsco 23680-4003
04-01-004		24V	4 A			Johnson Pump 10-24516-02 Jabsco 23680-4103



FIP F4

SKU	Capacity	Voltage	Fuse size	Connections	Dimensions	Interchangeable with
04-01-005	45 L/min (12 GPM)	12V	12.5 A	19 mm (¾") hose- ½" BSP	180x120x90 mm (7x4.7x3.5 inches)	Johnson Pump 10-24689-01 Jabsco 23610-3003
04-01-006		24V	6 A			Johnson Pump 10-24689-02 Jabsco 23610-3103

Ballast Pump F4

Albinus' DC Ballast Pump FIP F4 have reversible flow direction and are self-priming – making them ideal for fast ballast pumping for wake boarding and other water sports. Can handle fresh or sea water.

- Reversible flow with polarity reversing switch
- Ignition protection of surrounding flammable gases, ISO 8846
- Pump body in brass, stainless steel shaft, ballast MC19 impeller and PTFE seal
- Keep your FIP pumps running optimally by inspecting the ballast impeller before each season and, if necessary, replace with Albinus replacement Impeller part number 06-04-036



Premium Ballast Impeller 06-04-036

SKU	Capacity	Voltage	Fuse size	Connections	Dimensions	Interchangeable with
04-04-013	14.24 GPM (55 L/min)	12V	16 A (25 A with reversing switch)	19 mm (¾") hose- ½" BSP	180x120x90 mm (7x4.7x3.5 inches)	Johnson Pump 10-24689-01 Jabsco 23610-3003
04-04-014		24V	15 A (15 A with reversing switch)			Johnson Pump 10-24689-02 Jabsco 23610-3103

General Purpose Gear Pumps

Light and compact DC gear pump suitable for transfer of oil, diesel, antifreeze, water and other viscous liquids.

- Self-priming
- Reversible
- Rated for continuous duty
- Can be run dry
- Pump body in PTFE

SKU	Capacity	Voltage	Fuse size	Connections	Dimensions
04-02-007	12 L/min (3.2 GPH) @ engine oil temp 40°C / 105°F	12V	6 A	14 mm (½") hose	140 x 90 x 80 mm (5.5 x 3.5 x 3.2 inches)
04-02-008		24V	3 A		



General Purpose Gear Pumps Light

Light and compact DC gear pump suitable for intermittent use (not for continuous duty) for transfer of oil, diesel, antifreeze, water and other viscous liquids.

- Self-priming
- Reversible
- Rated for continuous duty
- Can be run dry
- Pump body in PTFE

SKU	Capacity	Voltage	Fuse size	Connections	Dimensions
04-02-009	8 L/min (2.1 GPH) @ engine oil temp 40°C / 105°F	12V	6 A	14 mm (½") hose	140 x 90 x 80 mm (5.5 x 3.5 x 3.2 inches)
04-02-010		24V	3 A		



Gear Pump Oil Change Kits

Light and compact DC gear pump particularly suitable for oil change or removal/change of other viscous liquids in tight spaces.

- Hose set (6 mm and 8 mm), hose connection, wires 1.8 m (6 ft), fuse and battery clamps included
- Self-priming
- Reversible for both filling and emptying
- Rated for continuous duty
- Can be run dry
- Pump body in PTFE

SKU	Capacity	Voltage	Fuse size	Connections	Dimensions
04-03-009	12 L/min (3.2 GPH) @ engine oil temp 40°C / 105°F	12V	6 A	Inlet: Quick connections for the oil dip tube 6 or 8 mm	140 x 90 x 80 mm (5.5 x 3.5 x 3.2 inches)
04-03-010		24V	3 A	Outlet: 14 mm (½") hose	





Complement your General Purpose Pumps with Albinus Oil Change Hose Kit.

Oil Change Hose Kit

Hose kit, suitable for FIP and Gear Pumps, oil change or any other pump in/out purpose.

- 6 mm and 8 mm with hose connections

SKU	Connections
04-66-015	6 mm and 8 mm



5 Self-Priming FIP Pumps

Albinus flexible impeller pumps are designed to handle most commercial and pleasure boats needs for raw water applications. The self-priming ability makes FIP pumps being the right choice for engine cooling, bilge pumping and deck wash. The pumps have a long life due to the heavy duty design and ensure correct cooling flow with Albinus premium Impellers.

Engine Cooling Pumps.....	34	AC FIP Pumps.....	42
Volvo Penta Engines, Cooling Pumps.....	34	Pedestal FIP Pumps.....	42
Volvo Penta Engines, High Speed Cooling Pumps ..	36	Pedestal Electro-Magnetic Clutch Pumps	43
Crankshaft Engines, Cooling Pumps.....	37	Electro-Magnetic Clutches and Coils.....	43
Yanmar Engines, Cooling Pumps	37	Accessories	44
Scania Engines, Cooling Pumps.....	38	Spare Parts	44
Craftsman Engines, Cooling pumps.....	38		
Fisher Panda Engines, Cooling Pumps	38		
Caterpillar Engines, Cooling Pumps.....	39		
MAN Engines, Cooling Pumps.....	39		
Cummins Engines, Cooling Pumps	39		
Cummins/Onan Engines, Cooling Pumps.....	40		
Kohler Engines, Cooling Pumps.....	41		

albinus[®]

Engine Cooling Pumps

Albinus flexible impeller pumps are designed to handle most commercial and pleasure boats needs for raw water applications. The self-priming ability makes FIP pumps being the right choice for engine cooling, bilge pumping and deck wash. The pumps have a long life due to the heavy duty design and ensure correct cooling flow with Albinus premium Impellers.

Volvo Penta Engines, Cooling Pumps

SKU	Impeller	Engine models	Replaces pump
05-01-001	06-01-021	AD31/41/43, TAMD31/41/42, KAD32/42/44, KAMD42/43/44 (3583115/3581558), AD31/41, MD31, TMD31/41, TAMD31/41/42, KAD32/42/43/44, KAMD42/43/44(860629)	VOLVO 3583115 (Old, 3581558, 860629) (Imp 21951356, Old 3841697, 21422647) JOHNSON 10-24524-01 (VP 338115) 10-24394-01 (VP 860629) (Imp 09-1028-01)

SKU	Impeller	Engine models	Replaces pump
05-01-002	06-02-028	MD 100/100 A/120/120 A, TMD 100/100 A/120/120 A121C/122A, TAMD 120/120 A/121C/122A/122P	VOLVO 3829311 (Old, 846354) (Imp 21730344, Old 875736) JOHNSON 10-21915 (Imp 09-1029B)

SKU	Impeller	Engine models	Replaces pump
05-01-003	06-02-031	3829312-TAMD 102A/122A/120B/122C/122D, 3829313-TAMD 102A/102D/103A/122P	VOLVO 3583112 (Old, 845189) , 3829313(Old, 866396) (Imp 875814) JABSCO 10590-0041 (Imp 17936-0001)

SKU	Impeller	Engine models	Replaces pump
05-01-004	06-02-031	TAMD 162A/162B/162C, 163A/163P, 65A/165C/165P	VOLVO 3837935 (Old, 3825493) (Imp Kit 21951364) JOHNSON 10-13166-01 (Imp 09-814B)

SKU	Impeller	Engine models	Replaces pump
05-01-005	06-01-006	D1-13A/B/F, D1-20 A/B/F	VOLVO 3593654 (Imp 22222936) (Old 21951344, 3593659) JOHNSON 10-24751-01 (Imp 09-1026B)

SKU	Impeller	Engine models	Replaces pump
05-01-006	06-01-006	D1-30 A/B/F, D2-40 A/B/F	VOLVO 3593655 (Imp 22222936, old 21951344, 3593659) JOHNSON 10-24752-01 (Imp 09-1026B)

SKU	Impeller	Engine models	Replaces pump
05-01-007	06-01-012	D2-55A/B/C/D/E/F, D2-75A/B/C/F	VOLVO 3583089 (Imp 21951346, old 3862281, 877400) JOHNSON N/A (Imp 09-1027B-1)

SKU	Impeller	Engine models	Replaces pump
05-01-008	06-01-014	D3-110I, D3-130A/I, D3-160A/I, D3-190A/I	VOLVO 21141637 (Imp 21951352, old 21381693, 3593660) JOHNSON N/A (Imp 09-812BT-1)



Engine Cooling Pumps

SKU	Impeller	Engine models	Replaces pump
05-01-009	06-01-014	D3-110I-G, D3-140 A/I , D3-150I-G, D3-170 A/I-G, D3-200 A/I-G, D3-220 A/I-G	VOLVO 21379102 (Imp 21951352, old 21381693, 3593660) JOHNSON N/A (Imp 09-812BT-1)

SKU	Impeller	Engine models	Replaces pump
05-01-010	06-02-023	D4-210/225/260/300	VOLVO 3584062 (Imp 3588475) Jabsco 50384-8000 (Imp 17937-0001)

SKU	Impeller	Engine models	Replaces pump
05-01-011	06-01-021	D4-225A-E, D4-260 A-E, D4-260D-E, D4-300 A-E, D4-300D-E	VOLVO 21419374 (Imp 21951536, old 21422647 3841697) JOHNSON N/A (Imp 09-1028B)

SKU	Impeller	Engine models	Replaces pump
05-01-012	06-02-024	D6-280 A, D6-310 A, D6-310D, D6-330 A, D6-330D, D6-350 A, D6-370 A, D6-370D, D6-435D	VOLVO 21380890 (Old 3589907, Imp 3593573) Jabsco 50394-8300 (Imp 17018-0001)

SKU	Impeller	Engine models	Replaces pump
05-01-013	06-01-020	D6-280 A, D6-310 A, D6-310D, D6-330 A, D6-330D, D6-370 A, D6-370D, D6-435D	VOLVO 21419376 (Imp 21951358, old 22000061, 21951358, 3887761) JOHNSON N/A (Imp 09-821BT-01)

SKU	Impeller	Engine models	Replaces pump
05-01-014	06-01-021	D5A-A T/TA, D7A-A T/TA, D7C-A TA, D7A-B TA, D7C-B TA	VOLVO 3838288 (Imp 21951356, old 21422647, 3841697) JOHNSON 10-24580-01 (Imp 09-1028B)

SKU	Impeller	Engine models	Replaces pump
05-01-015	06-02-024	D9A2A D9-425, D9-500, D9-500 (R4), D9-575, D9A2B, D9-425, D9-500 (R5), D9A2A D9A-MH, D9A2B D9-575, D9A2A MH, D9A2B MH, D9A2C D9A-MH, D9-425, D9A2D D9-500 (R5), D9A2E D9-425, D9A2F D9-575, D9A2A MP, D9A2B MP, D9A2C, D9A2D, D9A2E, D9A2F, D9A2G, D9A2H, D9A2J, D9A-J, D9A-K, D9A2K, D9A2K, D9-575, D11A-A, D11A-B, D11A-C, D11A-D, D11A-C (IPS), 11AD (IPS), D11A-E, D11A-E (IPS)	VOLVO 21380886 (Imp 21730348, old 3817587) JABSCO N/A (Imp 17018-0001)

SKU	Impeller	Engine models	Replaces pump
05-01-016	06-02-027	D11A-A, D11A-B, D11A-C, D11A-D, D11A-C (IPS), D11A-D (IPS), D11A-E, D11A-E (IPS), D11B1-A MP, D11B2-A MP (IPS), D11B1-A MP, D11B2-A MP (IPS)	VOLVO 21219723 (Old 3819485, Imp 21730348, old 3817587) Jabsco N/A (Imp 17018-0001)



Engine Cooling Pumps



page 36

SKU	Impeller	Engine models	Replaces pump
05-01-017	06-02-024	D11B1-A MP, D11B2-A MP (IPS)	VOLVO 22063494 (Old 3819485), Imp 21730348, old 3817587) Jabsco N/A (Imp 17018-0001)

SKU	Impeller	Engine models	Replaces pump
05-01-018	06-02-032	D12C/D	VOLVO 3838207 (Imp 3830459) Jabsco N/A (Imp 17938-0001)

SKU	Impeller	Engine models	Replaces pump
05-01-019	06-02-032	D13B/C	VOLVO 3886848 (Imp 3830459) Jabsco N/A (Imp 17938-0001)

SKU	Impeller	Engine models	Replaces pump
05-01-020	06-02-032	D16C-A MH, D16C-B MH, D16C-C MH	VOLVO 3589104 (Imp 3830459) Jabsco N/A (Imp 17938-0001)

Volvo Penta Engines, High Speed Cooling Pumps

SKU	Impeller	Pulley type	Engine models	Replaces pump
05-01-040	06-01-037	V Belt Pulley, 2 Groove	4.3/ 5.0/ 5.7/ 4.3GL, 5.0GL, 5.7GL	VOLVO 21214596, old 3862487 (Imp 21951348, old 21213650, 21213660, 3855546, 3856039, 3858256, 3862567, 875811, 876243)

SKU	Impeller	Pulley type	Engine models	Replaces pump
05-01-041	06-01-037	Serpentine Belt Pulley, 1 Groove	4.3/ 5.0/ 5.7L	VOLVO 21214599, old 3858230, 3812698 (Imp 21951348, old 21213650, 21213660, 3855546, 3856039, 3858256, 3862567, 875811, 876243)

SKU	Impeller	Pulley type	Engine models	Replaces pump
05-01-042	06-01-037	Beltless pulley, crankshaft mounted pump	8.1 L, V8	VOLVO 21214601, old 3860795, 3862484, 3812695 (Imp 21951348, old 21213650, 21213660, 3855546, 3856039, 3858256, 3862567, 875811, 876243)

SKU	Impeller	Pulley type	Engine models	Replaces pump
05-01-043	06-01-014	Serpentine Belt Pulley, 1 Groove	4.3/ 5.0GL, 4.3/ 5.0/ 5.7GXi, 5.7Gi, V6-200/225, V8-225/270/300/350	VOLVO 21212799 (Imp 22307636, old 21212794, 21213664)

SKU	Impeller	Pulley type	Engine models	Replaces pump
05-01-044	06-01-014	Beltless pulley crankshaft mounted pump	8.1Gi, 8.1IPS	VOLVO 21212800 (Imp 22307636, old 21212794, 21213664)

albinus[®]

Engine Cooling Pumps



SKU	Impeller	Pulley type	Engine models	Replaces pump
05-01-045	06-01-014	V Belt Pulley, 2 Groove	4.3/ 5.0GL, 5.0GL-F, 5.0GL-FF	VOLVO 21255090 (Imp 22307636, old 21212794, 21213664)

Crank Shaft Engine Cooling Pumps

SKU	Impeller	Type	Engine models	Replaces pump
05-01-046	06-01-014	Crank Shaft Engine Cooling Pump	Converts pulley driven to crank shaft driven mount for Ford or GM V6/V8 marine engine blocks. PCM, Crusader, Mercruiser and more	JOHNSON F6B-9, Johnson Pump 10-24930-01, 10-24915-01, 10-24805-01, 10-24232-01 INDMAR 685001



Yanmar Engines, Cooling Pumps

SKU	Impeller	Engine models	Replaces pump
05-01-021	06-01-020	6LY3-ETP, 6LY3-STP, 6LY3-UTP, 6LY3-STC, 6LY3-UTC, 6LY3-ETP 24, 6LY3-STP 24, 6LY3-UTP 24, 6LY3-STC 24, 6LY3-UTC 24	YM 119578-42501 (Imp 119578-42550)



SKU	Impeller	Engine models	Replaces pump
05-01-022	06-01-020	6LY2 SERIES (6LY2-ST, 6LY2-STVY, 6LY2-WST, 6LY2-WDT, 6LY2-WDTZY, 6LY2M-WDT, 6LY2MWST, 6LYA-STP, 6LYA-STE, 6LYA-UTE, 6LY2-STE, 6LY2A-STP, 6LY2A-UTP)	YM 119574-42502 (Imp 119574-42550)



SKU	Impeller	Engine models	Replaces pump
05-01-023	06-01-014	6LP(A)-DTE(P), 6LP(A)-STE(P), 6LPA-STP2	YM 119773-42502 (Gear included, Imp 119773-42600)



SKU	Impeller	Engine models	Replaces pump
05-01-024	06-01-014	6LP(A)-DTZE(P), 6LP(A)-STZE(P), 6LPASTZP2/3	YM 119773-42650 (Gear included, Imp 119773-42600)



SKU	Impeller	Engine models	Replaces pump
05-01-025	06-01-012	4JH3-THE, 4JH3-DTE, 4JH3E, 4JH3CE, 4JH3CE1, 4JH3-TE, 4JH3-TCE, 3JH3E, 3JH3E(EPA), 3JH3CE, 4JH3-TE-YEU, 4JH3-DTE(YEU), 3JH3E-YEU-E, 4JH4-TE, 4JH4-THE, 4JH4-HTE1	YM 129670-42513 (Gear included, Imp 129670-42530). Replaces 129670-42500, 129670-42501, 129670-42510, 129670-42511, 129670-42512



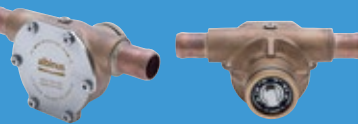
SKU	Impeller	Engine models	Replaces pump
05-01-026	06-01-012	4JH5E, 3JH4E, 4JH4E, 4JH4AE, 3JH5E, 4JH4S, 4JH57, 4JH80, 4JH110)3JH5E	YM 129271-42502 (Gear included, Imp 129670-42531)



albinus[®]

VP Engine Cooling Pumps
Crank Shaft Engine Cooling Pumps
Yanmar Engine Cooling Pumps

Engine Cooling Pumps



SKU	Impeller	Engine models	Replaces pump
05-01-027	06-01-005	2GMF, 3GMF, 2YM, 3YM	YM 128397-42500, 128990-42500 (Imp 128397-42200) Johnson 10-24509-01, 10-13337, (Imp 09-810B-1)

SKU	Impeller	Engine models	Replaces pump
05-01-029	06-01-005	2GM, 3GM	YM 128377-42500 (Imp 128397-42200) Johnson 10-24509-02 (Imp 09-810B-1)

Scania Engines, Cooling Pumps

SKU	Impeller	Engine models	Replaces pump
05-01-028	06-02-031	D9, DI12, DI13, DI16 SERIES	SCANIA 1785018 (Imp 323897) Johnson 10-24308-02 (Imp 08-814B)

Craftsman Engines, Cooling Pumps

SKU	Impeller	Engine models	Replaces pump
05-01-047	06-01-010	2,3,4 CYL	

SKU	Impeller	Engine models	Replaces pump
05-01-048	06-01-012	6 CYL	

Fisher Panda Engines, Cooling Pumps

SKU	Impeller	Engine models	Replaces pump
05-01-050	06-01-005	Gen.sets Model 5000 LPE, 6000 ND, 8000 NE, 9000 ND	Johnson 10-35127-03, (Imp 09-810B-1)

Caterpillar Engines, Cooling Pumps

SKU	Impeller	Engine models	Replaces pump
05-01-053	06-01-012	C 1.5 / C2.2	Caterpillar CAT 425-5421 (Impeller CAT 232-3198)

SKU	Impeller	Engine models	Replaces pump
05-01-054	06-01-021	C 4.4	Caterpillar CAT 42554112 (Impeller CAT 2637536)

Engine Cooling Pumps



SKU	Impeller	Engine models	Replaces pump
05-01-055	06-02-034	C12	Caterpillar CAT 359-6661 (Impeller CAT 298-8388)

SKU	Impeller	Engine models	Replaces pump
05-01-056	06-02-034	C18	Caterpillar CAT 3754703 (Impeller CAT 298-8388 / 2968388)

SKU	Impeller	Engine models	Replaces pump
05-01-057	06-02-040	C32	Caterpillar CAT 359-6661 (Impeller CAT CAT 322-8595)

MAN Engines, Cooling Pumps

SKU	Impeller	Engine models	Replaces pump
05-01-058	06-02-031	D2676	MAN 65.00600-0016 (Impeller MAN 50.06506-0073)

Cummins Engines, Cooling Pumps

SKU	Impeller	Engine models	Replaces pump
05-01-059	06-01-018	4B3.9M, 4BT3.9M, 6B5.9M, 6BT5.9M	C-s: 3907458, 3912019 (Impeller Sherwood 10615K)

SKU	Impeller	Engine models	Replaces pump
05-01-060	06-02-026	6BTA5.9M2, 6CT8.3M, 6CTA8.3M	C-s: 3866493, 3897691 (Impeller Sherwood 17000K)

SKU	Impeller	Engine models	Replaces pump
05-01-061	06-02-026	QSB6.7, QSB5.9, QSB&.9	C-s: 5268375 (Impeller Sherwood 17000K)

SKU	Impeller	Engine models	Replaces pump
05-01-062	06-02-041	QSB7.0	C-s: 2886308 (Impeller Sherwood 26000K)

Engine Cooling Pumps



SKU	Impeller	Engine models	Replaces pump
05-01-063	06-02-041	QSC8.3, QSL9.0	C-s: 3967248 (Impeller Sherwood 26000K)

SKU	Impeller	Engine models	Replaces pump
05-01-064	06-02-034	QSM11	C-s: 3349392, 4929178 (Impeller Sherwood 29000K)

SKU	Impeller	Engine models	Replaces pump
05-01-065	06-02-026	6BT5.9/M2	C-s: 3919899, 3922590 (Impeller Sherwood 17000K)

SKU	Impeller	Engine models	Replaces pump
05-01-066	06-02-026	6CTA8.3M(WAC), 6CTA8.3M2	C-s: 3912139, 3922589, 3964989 (Impeller Sherwood 17000K)

Cummins/Onan Engines, Cooling Pumps

SKU	Impeller	Engine models	Replaces pump
05-01-067	06-01-004	MDKBH/J/W	C-s: 132-0430 (Impeller C-s: 132-0415)

SKU	Impeller	Engine models	Replaces pump
05-01-068	06-01-013	MDKBL/L/M/N, MDKDK/M/N	C-s: 132-0459 (Impeller C-s: 132-0379)

SKU	Impeller	Engine models	Replaces pump
05-01-069	06-01-018	MDKDP/R/V, MDKBP/R	C-s: A029U129 (Old 132-0413, -0356,-0347, 0343) (Impeller C-s: 132-0499)

SKU	Impeller	Engine models	Replaces pump
05-01-070	06-01-018	MDKDS/T/U, MDKBT/BU	C-s: A032Y747 (Old 132-064) (Impeller C-s: 132-0499)

Engine Cooling Pumps

Kohler Engines, Cooling Pumps

SKU	Impeller	Engine models	Replaces pump
05-01-071	06-01-015	4-6 Cylinder Diesel, 4-6.5 kW Gas, 12.5 kW Gas	Kohler: 267373, 246489, 344089, SHERWOOD G907P (Impeller Kohler 229826, Sherwood 9959K)

SKU	Impeller	Engine models	Replaces pump
05-01-072	06-01-015	N/A	Kohler: GM46936, GM344371, SHERWOOD G910P (Impeller Kohler 229826, Sherwood 9959K)

SKU	Impeller	Engine models	Replaces pump
05-01-073	06-01-004	Kohler 5-7 kW Diesel	Kohler: 28487 359341 GM28487, SHERWOOD G8001 (Impeller Kohler 359978, Sherwood 8000K)

SKU	Impeller	Engine models	Replaces pump
05-01-074	06-01-004	Kohler 5EKD, 4EFKD, 7.5EKD, 6EFKD, 10EKD, 8EFKD	Kohler: GM63535, SHERWOOD G8005 (Impeller Kohler 359978, Sherwood 8000K)



AC FIP Pumps



Albinus AC flexible impeller pumps are designed to handle most Septic Tank Handling, Wash Down, Circulation, Water and General Purpose pumping applications. Self-priming pumps (up to 5m for a dry pump) with a flexible, compact design for a wide range of applications and OEM applications; for example within Marine, Agriculture, WWS, Water Ponds and Forestry. Capacity range from 50 to 180 l/min (13 to 48 GPM).

Due to the flexible impeller the pumps can handle most liquids and slurries with soft particles. Max. dia for hard particle is approx. 7 mm.

Easy to maintain and quick to clean. The pumps are designed with few parts which keeps service time reduced to a minimum.

MA25-BSP1"- Flange IEC 80-w/o motor

SKU	Impeller	Technical data		Replaces pump
05-03-031	Neoprene 06-01-021	Recommended motor:	0.75 kW, 1400 rpm. Single phase motor 230V must be equipped with start and drive capacitor.	Johnson: FIP25B-BSP00M01F80 (Imp 09-1028B-1)
		Max. Capacity:	78 L / min (20.6 US GPM)	
		Max. Pressure:	2.5 Bar (36 psi)	
		Max. Suction lift:	5 m (16.4 ft)	

MA40-BSP1½"- Flange IEC 90-w/o motor

SKU	Impeller	Technical data		Replaces pump
05-03-032	Double flat Neoprene 06-05-038	Recommended motor:	1.1 kW, 1400 rpm. Single phase motor 230V must be equipped with start and drive capacitor.	Johnson: FIP40SI-BSP02M01F90 (Imp 09-838S)
		Max. Capacity:	188 L / min (49.7 US GPM)	
		Max. Pressure:	2.5 Bar (36 psi)	
		Max. Suction lift:	5 m (16.4 ft)	

Standard multi-purpose pedestal pump for engine cooling and various applications for raw and fresh water,

Type F5

SKU	Impeller	Replaces pump
05-01-049	06-01-012	Johnson: 10-24571-01, F5B-8 (Imp 09-1027B-1)

Type F4

SKU	Impeller	Replaces pump
05-01-052	06-01-005	Johnson: 10-24570-01, F4B-8 (Imp 09-810B-1)

Type F35

SKU	Impeller	Replaces pump
05-01-051	06-01-002	Johnson: 10-24569-01, F35B-8 (Imp 09-808B-1)



Pedestal Electro- Magnetic Clutch Pumps

FIP40B-CD, 1½" Impeller Pump w/o Clutch

SKU	Impeller	Replaces pump
05-02-030	06-02-028	Johnson Pump 10-13022-99, F8B-5001

FIP50B-CD, 2" Impeller Pump w/o Clutch

SKU	Impeller	Replaces pump
05-02-031	06-02-031	Johnson Pump 10-13027-99, F9B-5600

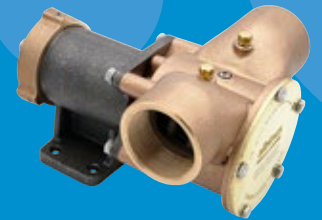
Electro-magnetic Clutches

SKU	Description
05-59-032	El-Magnetic Clutch, 12V 2xA 7" Pulley
05-59-033	El-Magnetic Clutch, 24V 2xA 7" Pulley

SKU	Description
05-59-034	El-Magnetic Clutch, 12V 1xB 7" Pulley
05-59-035	El-Magnetic Clutch, 24V 1xB 7" Pulley

Coil

SKU	Description
05-59-036	Coil 12V for El-Magnetic Clutch
05-59-037	Coil 24V for El-Magnetic Clutch



Accessories



Spare Parts



Complement your General Purpose Pumps with Albinus Vacuum Valves.

Vacuum Valves

Correctly installed, a vacuum valve is a low cost insurance against water intrusion in the motor caused by siphoning effects in the exhaust pipe. Water intrusion in your motor can cause serious damage.

- Install above water line between heat exchanger and the exhaust hose
- Non-corrosive
- Proven design made of tough thermoplastic with rubber valve
- Easy to install

Vacuum Valve 12 mm (1/2")

SKU	Vacuum Valve connection size	Interchangeable with
05-69-033	12 mm (1/2")	Johnson Pump 09-47316-01

Vacuum Valve 16 mm (5/8")

SKU	Vacuum Valve connection size	Interchangeable with
05-69-034	16 mm (5/8")	Volvo Penta 21662701 (replaces old 827952, 828271, 828537, 833685, 833687, 838154, 838207) Johnson Pump 09-47316-02

Vacuum Valve 19 mm (3/4")

SKU	Vacuum Valve connection size	Interchangeable with
05-69-035	19 mm (3/4")	Volvo Penta 21662702 (replaces old 861497) Johnson Pump 09-47316-03

Vacuum Valve 22 mm (7/8")

SKU	Vacuum Valve connection size	Interchangeable with
05-69-036	22 mm (7/8")	Volvo Penta 21662703 Johnson Pump 09-47316-04

Vacuum Valve 25 mm (1")

SKU	Vacuum Valve connection size	Interchangeable with
05-69-037	25 mm (1")	Volvo Penta 21662704 (replaces old 3583738, 3843297) Johnson Pump 09-47316-05

Vacuum Switch FIP

SKU	Description
05-63-053	Vacuum switch that automatically turns off your impeller pump when the pump starts sucking air, preventing dry running

Service Kit Vacuum Valve

SKU	Description
05-99-038	Service kit with rubber valve and screw cap. Same valve and cap for all sizes

Premium Spare Parts Kits containing Impeller replacement kit, wear parts and fasteners required for your particular Albinus Engine Cooling Pump/Pedestal Electro Magnetic Clutch Pumps or Albinus FIP pump with IEC/AC motor flange.

Overview

Premium Spare Parts Kit SKU	for pump SKU	Engine models	Pump model replaces pump
05-91-001	05-01-001	AD31/41/43, TAMD31/41/42, KAD32/42/44, KAMD42/43/44 (3583115/3581558), AD31/41, MD31, TMD31/41, TAMD31/41/42, KAD32/42/43/44, KAMD42/43/44(860629)	Spares for Albinus pumps only
05-91-002	05-01-002	MD 100/100 A/120/120 A, TMD 100/100 A/120/120 A121C/122A, TAMD 120/120 A/121C/122A/122P	Spares for Albinus pumps only
05-91-003	05-01-003	3829312-TAMD 102A/122A/120B/122C/122D, 3829313-TAMD 102A/102D/103A/122P	Spares for Albinus pumps only
05-91-004	05-01-004	TAMD 162A/162B/162C, 163A/163P, 65A/165C/165P	Spares for Albinus pumps only
05-91-005	05-01-005	D1-13A/B/F, D1-20A/B/F	VOLVO 3593654 (Imp 22222936) (Old 21951344, 3593659) JOHNSON 10-24751-01 (Imp 09-1026B) JPR JPR-VP0010DA
05-91-006	05-01-006	D1-30A/B/F, D2-40A/B/F	VOLVO 3593655 (Imp 22222936, old 21951344, 3593659) JOHNSON 10-24752-01 (Imp 09-1026B) JPR JPR-VP0010DB
05-91-007	05-01-007	D2-55A/B/C/D/E/F, D2-75A/B/C/F	VOLVO 3583089 (Imp 21951346, old 3862281, 877400) JOHNSON N/A (Imp 09-1027B-1) JMP JPR-VP0020D
05-91-008	05-01-008	D3-110I, D3-130 A/I, D3-160 A/I, D3-190 A/I	VOLVO 21141637 (Imp 21951352, old 21381693, 3593660) JOHNSON N/A (Imp 09-812BT-1) JMP JPR-VP0030DA
05-91-009	05-01-009	D3-110I-G, D3-140 A/I, D3-150I-G, D3-170 A/I-G, D3-200 A/I-G, D3-220 A/I-G	VOLVO 21379102 (Imp 21951352, old 21381693, 3593660) JOHNSON N/A (Imp 09-812BT-1) JMP JPR-VP0030DB
05-91-010	05-01-010	D4-210/225/260/300	VOLVO 3584062 (Imp 3588475) Jabsco 50384-8000 (Imp 17937-0001) JMP JPR-VP0040DA
05-91-011	05-01-011	D4-225A-E, D4-260 A-E, D4-260D-E, D4-300 A-E, D4-300D-E	VOLVO 21419374 (Imp 21951536, old 21422647 3841697) JOHNSON N/A (Imp 09-1028B) JMP JPR-VP0040DB
05-91-012	05-01-012	D6-280 A, D6-310 A, D6-310D, D6-330 A, D6-330D, D6-350 A, D6-370 A, D6-370D, D6-435D	VOLVO 21380890 (Old 3589907, Imp 3593573) Jabsco 50394-8300 (Imp 17018-0001) JMP JPR-VP0060DA
05-91-013	05-01-013	D6-280 A, D6-310 A, D6-310D, D6-330 A, D6-330D, D6-370 A, D6-370D, D6-435D	VOLVO 21419376 (Imp 21951358, old 22000061, 21951358, 3887761) JOHNSON N/A (Imp 09-821BT-01) JMP JPR-VP0060DB
05-91-014	05-01-014	D5A-A T/TA, D7A-A T/TA, D7C-A TA, D7A-B TA, D7C-B TA	VOLVO 3838288 (Imp 21951356, old 21422647, 3841697) JOHNSON 10-24580-01 (Imp 09-1028B) JMP JPR-VP0050D
05-91-015	05-01-015	D9A2A D9-425, D9-500, D9-500 (R4), D9-575, D9A2B, D9-425, D9-500 (R5), D9A2A D9A-MH, D9A2B D9-575, D9A2A MH, D9A2B MH, D9A2C D9A-MH, D9-425, D9A2D D9-500 (R5), D9A2E D9-425, D9A2F D9-575, D9A2A MP, D9A2B MP, D9A2C, D9A2D, D9A2E, D9A2F, D9A2G, D9A2H, D9A2J, D9A-J, D9A-K, D9A2K, D9A2K, D9-575, D11A-A, D11A-B, D11A-C, D11A-D, D11A-C (IPS), 11AD (IPS), D11A-E, D11A-E (IPS)	VOLVO 21380886 (Imp 21730348, old 3817587) JABSCO N/A (Imp 17018-0001) JMP JPR-VP0090D
05-91-016	05-01-016	D11A-A, D11A-B, D11A-C, D11A-D, D11A-C (IPS), D11A-D (IPS), D11A-E, D11A-E (IPS), D11B1-A MP, D11B2-A MP (IPS), D11B1-A MP, D11B2-A MP (IPS)	VOLVO 21219723 (Old 3819485, Imp 21730348, old 3817587) Jabsco N/A (Imp 17018-0001) JMP JPR-VP0110DA
05-91-017	05-01-017	D11B1-A MP, D11B2-A MP (IPS)	VOLVO 22063494 (Old 3819485), Imp 21730348, old 3817587) Jabsco N/A (Imp 17018-0001) JMP JPR-VP0110DB
05-91-018	05-01-018	D12C/D	VOLVO 3838207 (Imp 3830459) Jabsco N/A (Imp 17938-0001) JMP JPR-VP0120D
05-91-019	05-01-019	D13B/C	VOLVO 3886848 (Imp 3830459) Jabsco N/A (Imp 17938-0001) JMP JPR-VP0130D
05-91-020	05-01-020	D16C-A MH, D16C-B MH, D16C-C MH	VOLVO 3589104 (Imp 3830459) Jabsco N/A (Imp 17938-0001) JMP JPR-VP0160D
05-91-021	05-01-021	6LY3-ETP, 6LY3-STP, 6LY3-UTP, 6LY3-STC, 6LY3-UTC, 6LY3-ETP 24, 6LY3-STP 24, 6LY3-UTP 24, 6LY3-STC 24, 6LY3-UTC 24	YM 119578-42501 (Imp 119578-42500) JMP JPR-YM06LY3

Overview, continued

Premium Spare Parts Kit SKU	for pump SKU	Engine models	Pump model replaces pump
05-91-022	05-01-022	6LY2 SERIES (6LY2-ST, 6LY2-STVY, 6LY2-WST, 6LY2-WDT, 6LY2-WDTZY, 6LY2M-WDT, 6LY2MWST, 6LYA-STP, 6LYA-STE, 6LYA-UTE, 6LY2-STE, 6LY2A-STP, 6LY2A-UTP)	YM 119574-42502 (Imp 119574-42550) JMP JPR-YM06LY2
05-91-023	05-01-023	6LP(A)-DTE(P), 6LP(A)-STE(P), 6LPA-STP2	YM 119773-42502 (Gear included, Imp 119773-42600) JMP JPR-YM06LPA
05-91-024	05-01-024	6LP(A)-DTZE(P), 6LP(A)-STZE(P), 6LPASTZP2/3	YM 119773-42650 (Gear included, Imp 119773-42600) JMP JPR-YM06LPB
05-91-025	05-01-025	4JH3-THE, 4JH3-DTE, 4JH3E, 4JH3CE, 4JH3CE1, 4JH3-TE, 4JH3-TCE, 3JH3E, 3JH3E(EPA), 3JH3CE, 4JH3-TE-YEU, 4JH3-DTE(YEU), 3JH3E-YEU-E, 4JH4-TE, 4JH4-THE, 4JH4-HTE1	YM 129670-42513 (Gear included, Imp 129670-42530). Replaces 129670-42500, 129670-42501, 129670-42510, 129670-42511, 129670-42512 JMP JPR-YM04JHA
05-91-026	05-01-026	4JH5E, 3JH4E, 4JH4E, 4JH4AE, 3JH5E, 4JH45, 4JH57, 4JH80, 4JH110)3JH5E	YM 129271-42502 (Gear included, Imp 129670-42531) JMP JPR-YM04JHB
05-91-027	05-01-027	2GMF, 3GMF, 2YM, 3YM	Spares for Albinus pumps only
05-91-028	05-01-028	D9, DI12, DI13, DI16 SERIES	Spares for Albinus pumps only
05-91-029	05-01-029	2GM, 3GM	Spares for Albinus pumps only
05-91-047	05-01-047	Craftsman 2,3,4 CYL	JMP JPR-CM08IH
05-91-048	05-01-048	Craftsman 6 CYL	JMP JPR-CM10LH
05-91-049	05-01-049	Standard Pedestal pump	Johnson: 10-24571-01, F5B-8 (Imp 09-1027B-1) JMP JPR-20IP
05-91-050	05-01-050	Gen.sets Model 5000 LPE, 6000 ND, 8000 NE, 9000 ND	Johnson 10-35127-03, (Imp 09-810B-1) JMP JPR-KU08IH
05-91-051	05-01-051	Standard Pedestal pump	Johnson: 10-24569-01, F35B-8 (Imp 09-808B-1) JMP JPR-10IP
05-91-052	05-01-052	Standard Pedestal pump	Johnson: 10-24570-01, F4B-8 (Imp 09-810B-1) JMP JPR-15IP
05-92-030	05-02-030	Clutch pump	Johnson Pump 10-13022-99, F8B-5001 JMP JPR-M40IP
05-92-031	05-02-031	Clutch pump	Johnson Pump 10-13027-99, F9B-5600 JMP JPR-M50IP
05-93-031	05-03-031	AC motor pump	Johnson: FIP25B
05-93-032	05-03-032	AC motor pump	Johnson: FIP40S
05-93-053	05-01-053	C 1.5 / C2.2	Caterpillar CAT 425-5421 (Impeller CAT 232-3198)
05-93-054	05-01-054	C 4.4	Caterpillar CAT 42554112 (Impeller CAT 2637536)
05-93-055	05-01-055	C12	Caterpillar CAT 359-6661 (Impeller CAT 298-8388)
05-93-056	05-01-056	C18	Caterpillar CAT 3754703 (Impeller CAT 298-8388 / 2968388)
05-93-057	05-01-057	C32	Caterpillar CAT 359-6661 (Impeller CAT CAT 322-8595)
05-93-058	05-01-058	D2676	MAN 65.00600-0016 (Impeller MAN 50.06506-0073)
05-93-059	05-01-059	4B3.9M, 4BT3.9M, 6B5.9M, 6BT5.9M	C-s: 3907458, 3912019 (Impeller Sherwood 10615K)
05-93-060	05-01-060	6BTA5.9M2, 6CT8.3M, 6CTA8.3M	C-s: 3866493, 3897691 (Impeller Sherwood 17000K)
05-93-061	05-01-061	QSB6.7, QSB5.9, QSB&.9	C-s: 5268375 (Impeller Sherwood 17000K)
05-93-062	05-01-062	QSB7.0	C-s: 2886308 (Impeller Sherwood 26000K)
05-93-063	05-01-063	QSC8.3, QSL9.0	C-s: 3967248 (Impeller Sherwood 26000K)
05-93-064	05-01-064	QSM11	C-s: 3349392, 4929178 (Impeller Sherwood 29000K)

Overview, continued

Premium Spare Parts Kit SKU	for pump SKU	Engine models	Pump model replaces pump
05-93-065	05-01-065	6BT5.9/M2	C-s: 3919899, 3922590 (Impeller Sherwood 17000K)
05-93-066	05-01-066	6CTA8.3M(WAC), 6CTA8.3M2	C-s: 3912139, 3922589, 3964989 (Impeller Sherwood 17000K)
05-93-067	05-01-067	MDKBH/J/W	C-s: 132-0430 (Impeller C-s: 132-0415)
05-93-068	05-01-068	MDKBL/L/M/N, MDKDK/M/N	C-s: 132-0459 (Impeller C-s: 132-0379)
05-93-069	05-01-069	MDKDP/R/V, MDKBP/R	C-s: A029U129 (Old 132-0413, -0356,-0347, 0343) (Impeller C-s: 132-0499)
05-93-070	05-01-070	MDKDS/T/U, MDKBT/BU	C-s: A032Y747 (Old 132-064) (Impeller C-s: 132-0499)
05-93-071	05-01-071	4-6 Cylinder Diesel, 4-6.5 kW Gas, 12.5 kW Gas	Kohler: 267373, 246489, 344089, SHERWOOD G907P (Impeller Kohler 229826, Sherwood 9959K)
05-93-072	05-01-072	N/A	Kohler: GM46936, GM344371, SHERWOOD G910P (Impeller Kohler 229826, Sherwood 9959K)
05-93-073	05-01-073	Kohler 5-7 KW Diesel	Kohler: 28487 359341 GM28487, SHERWOOD G8001 (Impeller Kohler 359978, Sherwood 8000K)
05-93-074	05-01-074	Kohler 5EKD, 4EFKD, 7.5EKD, 6EFKD, 10EKD, 8EFKD	Kohler: GM63535, SHERWOOD G8005 (Impeller Kohler 359978, Sherwood 8000K)

Spare Parts



Premium Spare Parts Kit SKU	for pump SKU	Engine models	Pump model replaces pump
05-91-003	05-01-003	3829312-TAMD 102A/122A/120B/122C/122D, 3829313-TAMD 102A/102D/103A/122P	Spares for Albinus pumps only

Premium Spare Parts Kit SKU	for pump SKU	Engine models	Pump model replaces pump
05-91-004	05-01-004	TAMD 162A/162B/162C, 163A/163P, 65A/165C/165P	Spares for Albinus pumps only

Premium Spare Parts Kit SKU	for pump SKU	Engine models	Pump model replaces pump
05-91-005	05-01-005	D1-13A/B/F, D1-20 A/B/F	VOLVO 3593654 (Imp 22222936) (Old 21951344, 3593659) JOHNSON 10-24751-01 (Imp 09-1026B) JPR JPR-VP0010DA

Premium Spare Parts Kit SKU	for pump SKU	Engine models	Pump model replaces pump
05-91-006	05-01-006	D1-30 A/B/F, D2-40 A/B/F	VOLVO 3593655 (Imp 22222936, old 21951344, 3593659) JOHNSON 10-24752-01 (Imp 09-1026B) JPR JPR-VP0010DB

Premium Spare Parts Kit SKU	for pump SKU	Engine models	Pump model replaces pump
05-91-007	05-01-007	D2-55A/B/C/D/E/F, D2-75A/B/C/F	VOLVO 3583089 (Imp 21951346, old 3862281, 877400) JOHNSON N/A (Imp 09-1027B-1) JMP JPR-VP0020D

Premium Spare Parts Kit SKU	for pump SKU	Engine models	Pump model replaces pump
05-91-008	05-01-008	D3-110I, D3-130 A/I, D3-160 A/I, D3-190 A/I	VOLVO 21141637 (Imp 21951352, old 21381693, 3593660) JOHNSON N/A (Imp 09-812BT-1) JMP JPR-VP0030DA

Spare Parts

Premium Spare Parts Kit SKU	for pump SKU	Engine models	Pump model replaces pump
05-91-009	05-01-009	D3-110I-G, D3-140 A/I, D3-150I-G, D3-170 A/I-G, D3-200 A/I-G, D3-220 A/I-G	VOLVO 21379102 (Imp 21951352, old 21381693, 3593660) JOHNSON N/A (Imp 09-812BT-1) JMP JPR-VP0030DB

Premium Spare Parts Kit SKU	for pump SKU	Engine models	Pump model replaces pump
05-91-010	05-01-010	D4-210/225/260/300	VOLVO 3584062 (Imp 3588475) Jabsco 50384-8000 (Imp 17937-0001) JMP JPR-VP0040DA

Premium Spare Parts Kit SKU	for pump SKU	Engine models	Pump model replaces pump
05-91-011	05-01-011	D4-225A-E, D4-260 A-E, D4-260D-E, D4-300 A-E, D4-300D-E	VOLVO 21419374 (Imp 21951536, old 21422647 3841697) JOHNSON N/A (Imp 09-1028B) JMP JPR-VP0040DB

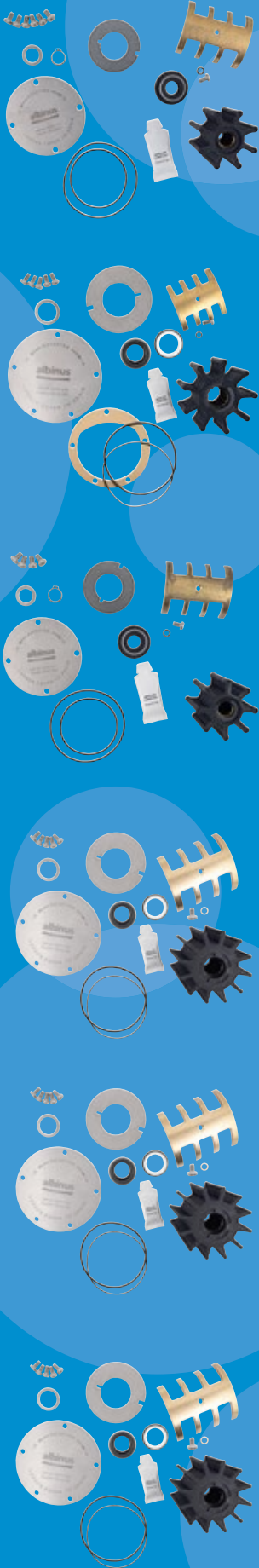
Premium Spare Parts Kit SKU	for pump SKU	Engine models	Pump model replaces pump
05-91-012	05-01-012	D6-280 A, D6-310 A, D6-310D, D6-330 A, D6-330D, D6-350 A, D6-370 A, D6-370D, D6-435D	VOLVO 21380890 (Old 3589907, Imp 3593573) Jabsco 50394-8300 (Imp 17018-0001) JMP JPR-VP0060DA

Premium Spare Parts Kit SKU	for pump SKU	Engine models	Pump model replaces pump
05-91-013	05-01-013	D6-280 A, D6-310 A, D6-310D, D6-330 A, D6-330D, D6-370 A, D6-370D, D6-435D	VOLVO 21419376 (Imp 21951358, old 22000061, 21951358, 3887761) JOHNSON N/A (Imp 09-821BT-01) JMP JPR-VP0060DB

Premium Spare Parts Kit SKU	for pump SKU	Engine models	Pump model replaces pump
05-91-014	05-01-014	D5A-A T/TA, D7A-A T/TA, D7C-A TA, D7A-B TA, D7C-B TA	VOLVO 3838288 (Imp 21951356, old 21422647, 3841697) JOHNSON 10-24580-01 (Imp 09-1028B) JMP JPR-VP0050D



Spare Parts



Premium Spare Parts Kit SKU	for pump SKU	Engine models	Pump model replaces pump
05-91-015	05-01-015	D9A2A D9-425, D9-500, D9-500 (R4), D9-575, D9A2B, D9-425, D9-500 (R5), D9A2A D9A-MH, D9A2B D9-575, D9A2A MH, D9A2B MH, D9A2C D9A-MH, D9-425, D9A2D D9-500 (R5), D9A2E D9-425, D9A2F D9-575, D9A2A MP, D9A2B MP, D9A2C, D9A2D, D9A2E, D9A2F, D9A2G, D9A2H, D9A2J, D9A-J, D9A-K, D9A2K, D9A2K, D9-575, D11A-A, D11A-B, D11A-C, D11A-D, D11A-C (IPS), 11AD (IPS), D11A-E, D11A-E (IPS)	VOLVO 21380886 (Imp 21730348, old 3817587) JABSCO N/A (Imp 17018-0001) JMP JPR-VP0090D

Premium Spare Parts Kit SKU	for pump SKU	Engine models	Pump model replaces pump
05-91-016	05-01-016	D11A-A, D11A-B, D11A-C, D11A-D, D11A-C (IPS), D11A-D (IPS), D11A-E, D11A-E (IPS), D11B1-A MP, D11B2-A MP (IPS), D11B1-A MP, D11B2-A MP (IPS)	VOLVO 21219723 (Old 3819485, Imp 21730348, old 3817587) Jabsco N/A (Imp 17018-0001) JMP JPR-VP0110DA

Premium Spare Parts Kit SKU	for pump SKU	Engine models	Pump model replaces pump
05-91-017	05-01-017	D11B1-A MP, D11B2-A MP (IPS)	VOLVO 22063494 (Old 3819485), Imp 21730348, old 3817587) Jabsco N/A (Imp 17018-0001) JMP JPR-VP0110DB

Premium Spare Parts Kit SKU	for pump SKU	Engine models	Pump model replaces pump
05-91-018	05-01-018	D12C/D	VOLVO 3838207 (Imp 3830459) Jabsco N/A (Imp 17938-0001) JMP JPR-VP0120D

Premium Spare Parts Kit SKU	for pump SKU	Engine models	Pump model replaces pump
05-91-019	05-01-019	D13B/C	VOLVO 3886848 (Imp 3830459) Jabsco N/A (Imp 17938-0001) JMP JPR-VP0130D

Premium Spare Parts Kit SKU	for pump SKU	Engine models	Pump model replaces pump
05-91-020	05-01-020	D16C-A MH, D16C-B MH, D16C-C MH	VOLVO 3589104 (Imp 3830459) Jabsco N/A (Imp 17938-0001) JMP JPR-VP0160D

Spare Parts

Premium Spare Parts Kit SKU	for pump SKU	Engine models	Pump model replaces pump
05-91-021	05-01-021	6LY3-ETP, 6LY3-STP, 6LY3-UTP, 6LY3-STC, 6LY3-UTC, 6LY3-ETP 24, 6LY3-STP 24, 6LY3-UTP 24, 6LY3-STC 24, 6LY3-UTC 24	YM 119578-42501 (Imp 119578-42550) JMP JPR-YM06LY3

Premium Spare Parts Kit SKU	for pump SKU	Engine models	Pump model replaces pump
05-91-022	05-01-022	6LY2 SERIES (6LY2-ST, 6LY2-STVY, 6LY2-WST, 6LY2-WDT, 6LY2-WDTZY, 6LY2M-WDT, 6LY2MWST, 6LYA-STP, 6LYA-STE, 6LYA-UTE, 6LY2-STE, 6LY2A-STP, 6LY2A-UTP)	YM 119574-42502 (Imp 119574-42550) JMP JPR-YM06LY2

Premium Spare Parts Kit SKU	for pump SKU	Engine models	Pump model replaces pump
05-91-023	05-01-023	6LP(A)-DTE(P), 6LP(A)-STE(P), 6LPA-STP2	YM 119773-42502 (Gear included, Imp 119773-42600) JMP JPR-YM06LPA

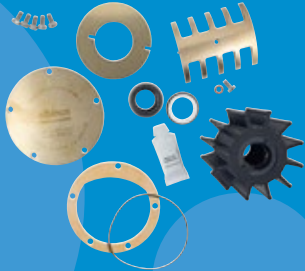
Premium Spare Parts Kit SKU	for pump SKU	Engine models	Pump model replaces pump
05-91-024	05-01-024	6LP(A)-DTZE(P), 6LP(A)-STZE(P), 6LPASTZP2/3	YM 119773-42650 (Gear included, Imp 119773-42600) JMP JPR-YM06LPB

Premium Spare Parts Kit SKU	for pump SKU	Engine models	Pump model replaces pump
05-91-025	05-01-025	4JH3-THE, 4JH3-DTE, 4JH3E, 4JH3CE, 4JH3CE1, 4JH3-TE, 4JH3-TCE, 3JH3E, 3JH3E(EPA), 3JH3CE, 4JH3-TE-YEU, 4JH3-DTE(YEU), 3JH3E-YEU-E, 4JH4-TE, 4JH4-THE, 4JH4-HTE1	YM 129670-42513 (Gear included, Imp 129670-42530). Replaces 129670-42500, 129670-42501, 129670-42510, 129670-42511, 129670-42512 JMP JPR-YM04JHA

Premium Spare Parts Kit SKU	for pump SKU	Engine models	Pump model replaces pump
05-91-026	05-01-026	4JH5E, 3JH4E, 4JH4E, 4JH4AE, 3JH5E, 4JH45, 4JH57, 4JH80, 4JH110)3JH5E	YM 129271-42502 (Gear included, Imp 129670-42531) JMP JPR-YM04JHB



Spare Parts



Premium Spare Parts Kit SKU	for pump SKU	Engine models	Pump model replaces pump
05-91-027	05-01-027	2GMF, 3GMF, 2YM, 3YM	Spares for Albinus pumps only

Premium Spare Parts Kit SKU	for pump SKU	Engine models	Pump model replaces pump
05-91-028	05-01-028	D9, DI12, DI13, DI16 SERIES	Spares for Albinus pumps only

Premium Spare Parts Kit SKU	for pump SKU	Engine models	Pump model replaces pump
05-91-029	05-01-029	2GM, 3GM	Spares for Albinus pumps only

Premium Spare Parts Kit SKU	for pump SKU	Engine models	Pump model replaces pump
05-91-047	05-01-047	Craftsman 2,3,4 CYL	JMP JPR-CM08IH

Premium Spare Parts Kit SKU	for pump SKU	Engine models	Pump model replaces pump
05-91-048	05-01-048	Craftsman 6 CYL	JMP JPR-CM10LH

Premium Spare Parts Kit SKU	for pump SKU	Engine models	Pump model replaces pump
05-91-049	05-01-049	Standard Pedestal pump	Johnson: 10-24571-01, F5B-8 (Imp 09-1027B-1) JMP JPR-20IP

Spare Parts

Premium Spare Parts Kit SKU	for pump SKU	Engine models	Pump model replaces pump
05-91-050	05-01-050	Gen.sets Model 5000 LPE, 6000 ND, 8000 NE, 9000 ND	Johnson 10-35127-03, (Imp 09-810B-1) JMP JPR-KU08IH

Premium Spare Parts Kit SKU	for pump SKU	Engine models	Pump model replaces pump
05-91-051	05-01-051	Standard Pedestal pump	Johnson: 10-24569-01, F35B-8 (Imp 09-808B-1) JMP JPR-10IP

Premium Spare Parts Kit SKU	for pump SKU	Engine models	Pump model replaces pump
05-91-052	05-01-052	Standard Pedestal pump	Johnson: 10-24570-01, F4B-8 (Imp 09-810B-1) JMP JPR-15IP

Premium Spare Parts Kit SKU	for pump SKU	Engine models	Pump model replaces pump
05-92-030	05-02-030	Clutch pump	Johnson Pump 10-13022-99, F8B-5001 JMP JPR-M40IP

Premium Spare Parts Kit SKU	for pump SKU	Engine models	Pump model replaces pump
05-92-031	05-02-031	Clutch pump	Johnson Pump 10-13027-99, F9B-5600 JMP JPR-M50IP

Premium Spare Parts Kit SKU	for pump SKU	Engine models	Pump model replaces pump
05-93-031	05-03-031	AC motor pump	Johnson: FIP25B

Premium Spare Parts Kit SKU	for pump SKU	Engine models	Pump model replaces pump
05-93-032	05-03-032	AC motor pump	Johnson: FIP40S



Spare Parts



Premium Spare Parts Kit SKU	for pump SKU	Engine models	Pump model replaces pump
05-93-053	05-01-053	C 1.5 / C2.2	Caterpillar CAT 425-5421 (Impeller CAT 232-3198)



Premium Spare Parts Kit SKU	for pump SKU	Engine models	Pump model replaces pump
05-93-054	05-01-054	C 4.4	Caterpillar CAT 42554112 (Impeller CAT 2637536)



Premium Spare Parts Kit SKU	for pump SKU	Engine models	Pump model replaces pump
05-93-055	05-01-055	C12	Caterpillar CAT 42554112 (Impeller CAT 2637536)



Premium Spare Parts Kit SKU	for pump SKU	Engine models	Pump model replaces pump
05-93-056	05-01-056	C18	Caterpillar CAT 359-6661 (Impeller CAT 298-8388)



Premium Spare Parts Kit SKU	for pump SKU	Engine models	Pump model replaces pump
05-93-057	05-01-057	C32	Caterpillar CAT 359-6661 (Impeller CAT CAT 322-8595)



Premium Spare Parts Kit SKU	for pump SKU	Engine models	Pump model replaces pump
05-93-058	05-01-058	D2676	MAN 65.00600-0016 (Impeller MAN 50.06506-0073)

Spare Parts

Premium Spare Parts Kit SKU	for pump SKU	Engine models	Pump model replaces pump
05-93-059	05-01-059	4B3.9M, 4BT3.9M, 6B5.9M, 6BT5.9M	C-s: 3907458, 3912019 (Impeller Sherwood 10615K)



Premium Spare Parts Kit SKU	for pump SKU	Engine models	Pump model replaces pump
05-93-060	05-01-060	6BTA5.9M2, 6CT8.3M, 6CTA8.3M	C-s: 3866493, 3897691 (Impeller Sherwood 17000K)



Premium Spare Parts Kit SKU	for pump SKU	Engine models	Pump model replaces pump
05-93-061	05-01-061	QSB6.7, QSBS.9, QSB&.9	C-s: 5268375 (Impeller Sherwood 17000K)



Premium Spare Parts Kit SKU	for pump SKU	Engine models	Pump model replaces pump
05-93-062	05-01-062	QSB7.0	C-s: 2886308 (Impeller Sherwood 26000K)



Premium Spare Parts Kit SKU	for pump SKU	Engine models	Pump model replaces pump
05-93-063	05-01-063	QSC8.3, QSL9.0	C-s: 3967248 (Impeller Sherwood 26000K)



Premium Spare Parts Kit SKU	for pump SKU	Engine models	Pump model replaces pump
05-93-064	05-01-064	QSM11	C-s: 3349392, 4929178 (Impeller Sherwood 29000K)



Spare Parts



page 56

Premium Spare Parts Kit SKU	for pump SKU	Engine models	Pump model replaces pump
05-93-065	05-01-065	6BT5.9/M2	C-s: 3919899, 3922590 (Impeller Sherwood 17000K)

Premium Spare Parts Kit SKU	for pump SKU	Engine models	Pump model replaces pump
05-93-066	05-01-066	6CTA8.3M(WAC), 6CTA8.3M2	C-s: 3912139, 3922589, 3964989 (Impeller Sherwood 17000K)

Premium Spare Parts Kit SKU	for pump SKU	Engine models	Pump model replaces pump
05-93-067	05-01-067	MDKBH/J/W	C-s: 132-0430 (Impeller C-s: 132-0415)

Premium Spare Parts Kit SKU	for pump SKU	Engine models	Pump model replaces pump
05-93-068	05-01-068	MDKBL/M/N, MDKDK/M/N	C-s: 132-0459 (Impeller C-s: 132-0379)

Premium Spare Parts Kit SKU	for pump SKU	Engine models	Pump model replaces pump
05-93-069	05-01-069	MDKDP/R/V, MDKBP/R	C-s: A029U129 (Old 132-0413, -0356, -0347, 0343) (Impeller C-s: 132-0499)

Premium Spare Parts Kit SKU	for pump SKU	Engine models	Pump model replaces pump
05-93-070	05-01-070	MDKDS/T/U, MDKBT/BU	C-s: A032Y747 (Old 132-064) (Impeller C-s: 132-0499)

albinus[®]

Premium Spare Parts Kit SKU	for pump SKU	Engine models	Pump model replaces pump
05-93-071	05-01-071	4-6 Cylinder Diesel, 4-6.5 kW Gas, 12.5 kW Gas	Kohler: 267373, 246489, 344089, SHERWOOD G907P (Impeller Kohler 229826, Sherwood 9959K)



Premium Spare Parts Kit SKU	for pump SKU	Engine models	Pump model replaces pump
05-93-072	05-01-072	N/A	Kohler: GM46936, GM344371, SHERWOOD G910P (Impeller Kohler 229826, Sherwood 9959K)



Premium Spare Parts Kit SKU	for pump SKU	Engine models	Pump model replaces pump
05-93-073	05-01-073	Kohler 5-7 KW Diesel	Kohler: 28487 359341 GM28487, SHERWOOD G8001 (Impeller Kohler 359978, Sherwood 8000K)



Premium Spare Parts Kit SKU	for pump SKU	Engine models	Pump model replaces pump
05-93-074	05-01-074	Kohler 5EKD, 4EFKD, 7.5EKD, 6EFKD, 10EKD, 8EFKD	Kohler: GM63535, SHERWOOD G8005 (Impeller Kohler 359978, Sherwood 8000K)





6 Replacement Impellers

A wide range of suitable replacement impellers for most engine cooling pumps and other FIP applications. The Albinus impellers are one of the best impellers in the world. 2 year limited warranty. ISO 9001 quality guaranteed.

Pleasure Boat Impellers.....	59
Commercial Boat Impellers.....	66
Special Impellers.....	73
Premium Outboard Impellers.....	77
Impeller Tools.....	82

NB!
The Impeller drawings are 1:1 scale. You can use this document as an identification guide and place your impeller on top of the profile drawing. If printing from the PDF version, do not allow your printer to scale the output; i.e. do not print to fit page.

albinus®

A wide range of suitable replacement impellers for most engine cooling pumps and other FIP applications. The Albinus impellers are one of the best impellers in the world. 2 year limited warranty. ISO 9001 quality guaranteed.

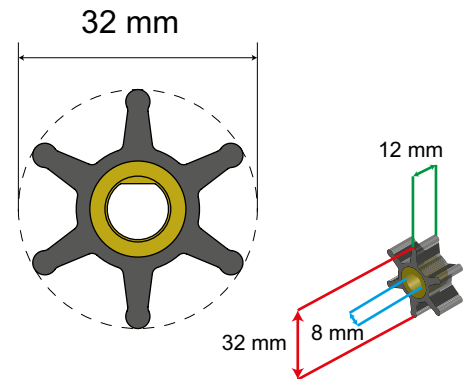
Pleasure Boat Impellers

Part nr. : 06-01-001

Replaces the following impellers:

Jabsco	1414-001
Yanmar	124170-42070

Kit contains impeller, lubricant and any required O-rings / gaskets



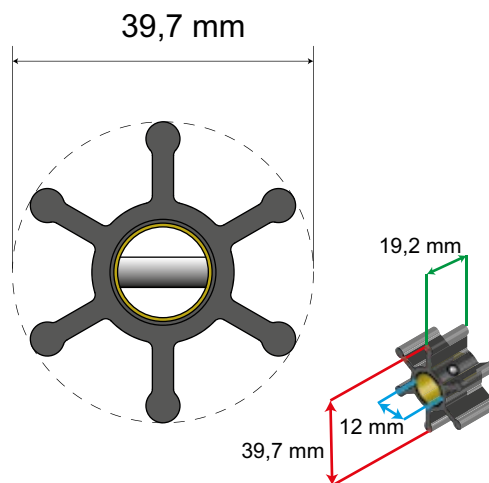
albinus[®]

Part nr.: 06-01-002

Replaces the following impellers:

Jabsco	22405-001
Johnson	09-808B-1
Volvo Penta	875583

Kit contains impeller, lubricant and any required O-rings / gaskets



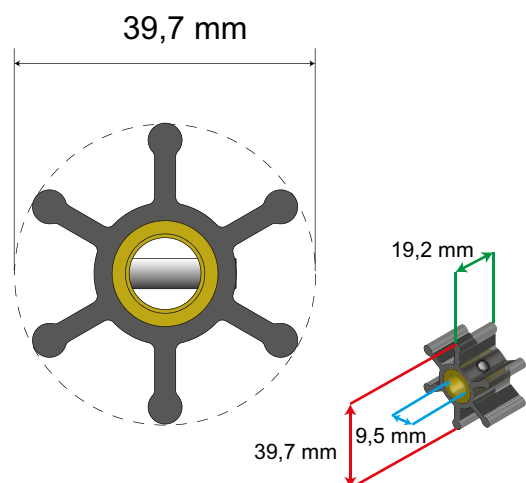
albinus[®]

Part nr.: 06-01-003

Replaces the following impellers:

Jabsco	4528-0001
Johnson	09-806B-1
Sherwood	9979K
Volvo Penta	803729
Yanmar	104211-42070

Kit contains impeller, lubricant and any required O-rings / gaskets



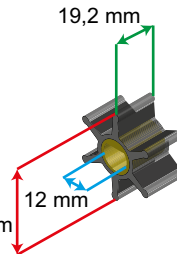
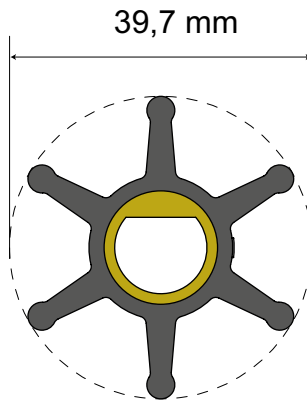
albinus[®]

Pleasure Boat Impellers

Part nr.: 06-01-004

Replaces the following impellers:
 Sherwood 08000K

Kit contains impeller, lubricant and any required O-rings / gaskets

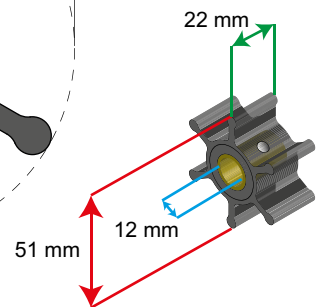
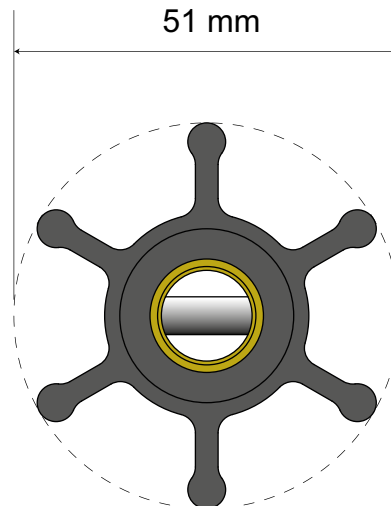


albinus®

Part nr. : 06-01-005

Replaces the following impellers:
 Jabsco 653-0001
 Johnson 09-810B-1

Kit contains impeller, lubricant and any required O-rings / gaskets

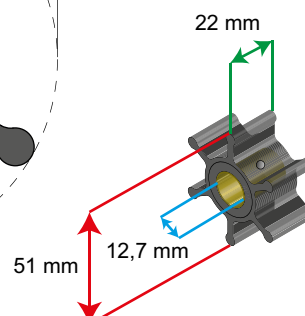
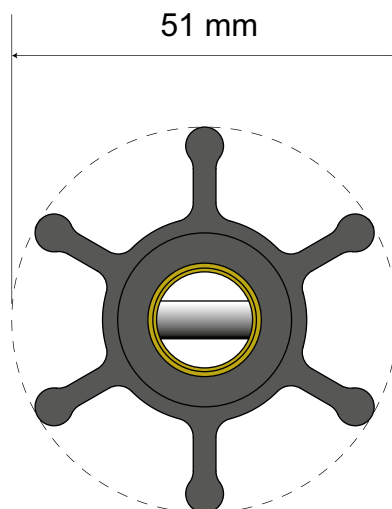


albinus®

Part nr.: 06-01-006

Replaces the following impellers:
 Jabsco 673-0001
 Johnson 09-1026B-1
 Volvo Penta 3593659

Kit contains impeller, lubricant and any required O-rings / gaskets



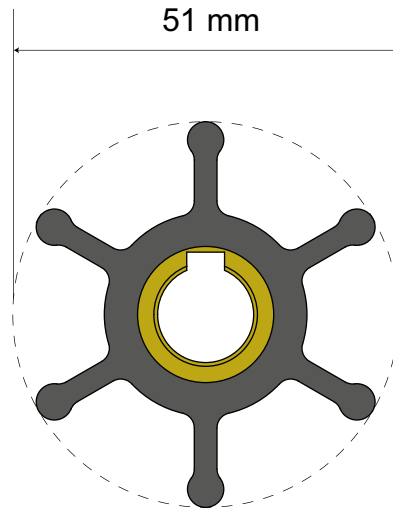
albinus®

Part nr.: 06-01-007

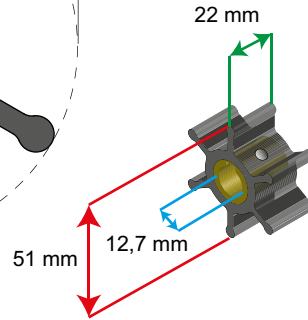
Replaces the following impellers:

Jabsco 22799-0001
Yanmar 124223-42091

Kit contains impeller, lubricant and any required O-rings/gaskets



albinus[®]

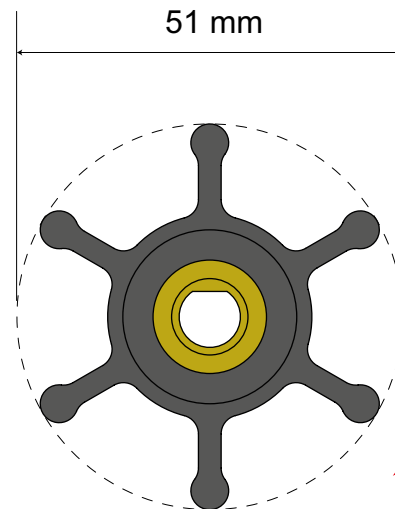


Part nr. : 06-01-008, 06-01-009

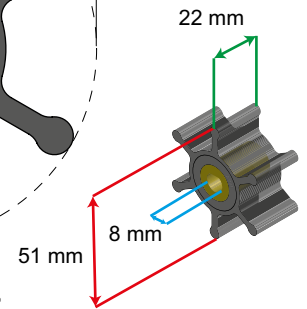
Replaces the following impellers:

(06-01-008) Jabsco	6303-0001
Johnson	09-824P-1
(06-01-009) Jabsco	6303-0003
Johnson	09-824P-9

Kit contains impeller, lubricant and any required O-rings/gaskets



albinus[®]

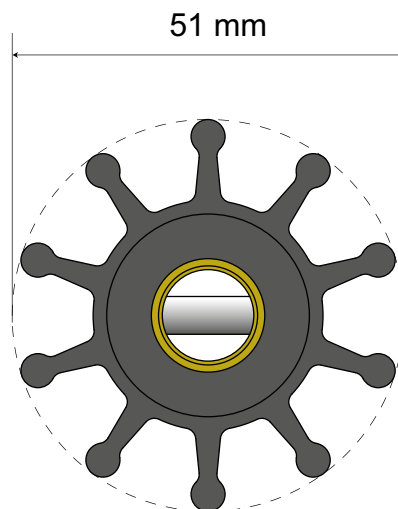


Part nr. : 06-01-010

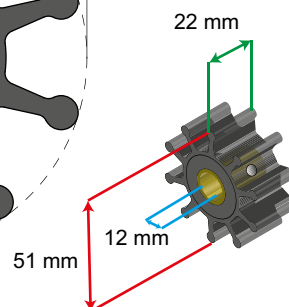
Replaces the following impellers:

Jabsco 18653-0001

Kit contains impeller, lubricant and any required O-rings/gaskets



albinus[®]



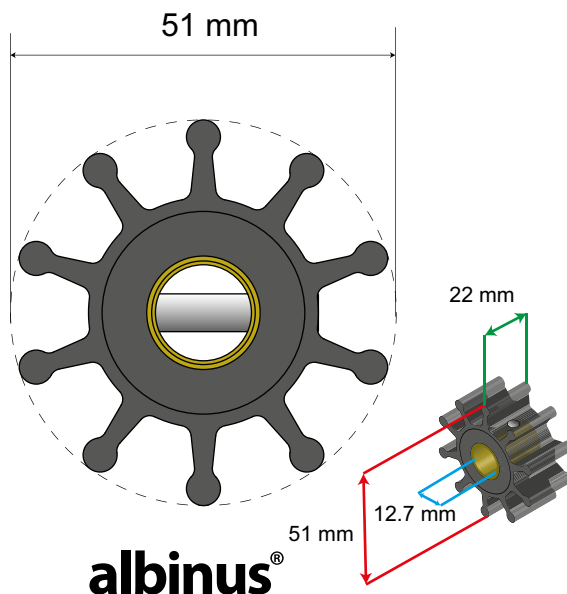
Pleasure Boat Impellers

Part nr. : 06-01-011

Replaces the following impellers:

Jabsco 18673-0001

Kit contains impeller, lubricant and any required O-rings / gaskets



Part nr. : 06-01-012

Replaces the following impellers:

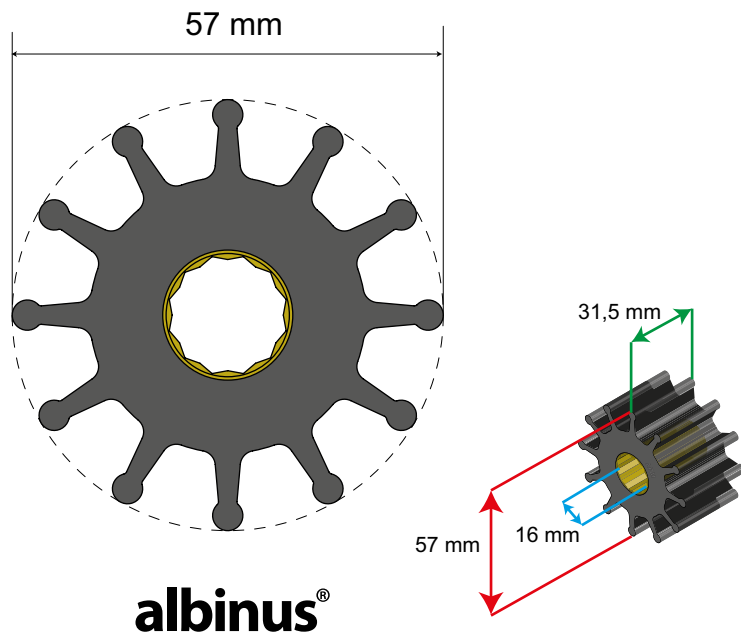
Jabsco 1210-0001

Johnson 09-1027B-1

Volvo Penta 825940

Yanmar 129470-42530

Kit contains impeller, lubricant and any required O-rings / gaskets

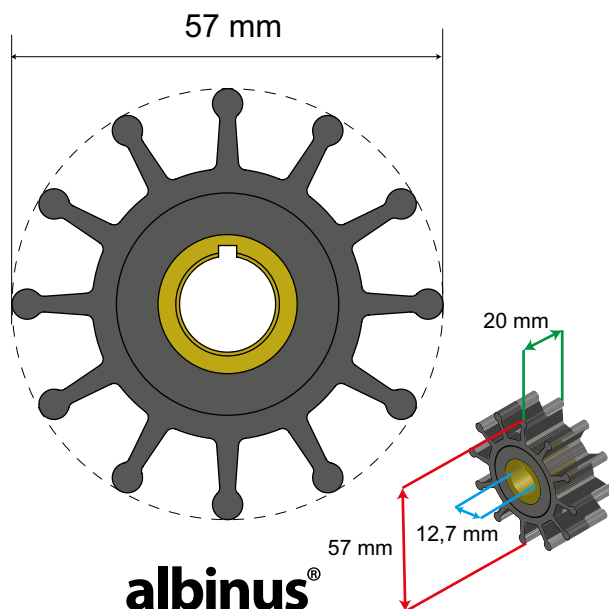


Part nr. : 06-01-013

Replaces the following impellers:

Sherwood 10077K

Kit contains impeller, lubricant and any required O-rings / gaskets

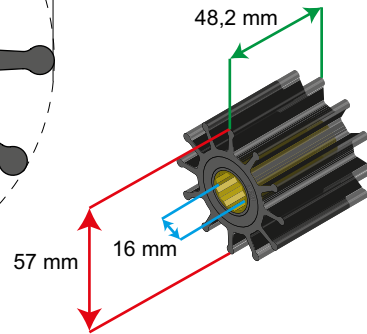
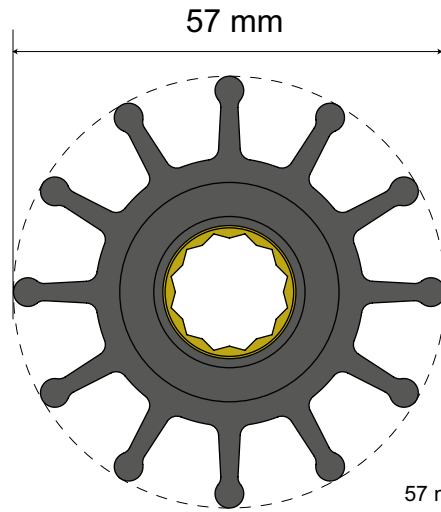


Part nr. : 06-01-014

Replaces the following impellers:

Jabsco	13554-0001
Johnson	09-812B-1
Volvo Penta	3588914

Kit contains impeller, lubricant and any required O-rings / gaskets



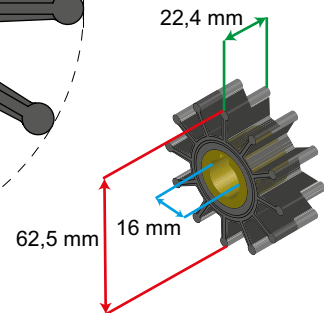
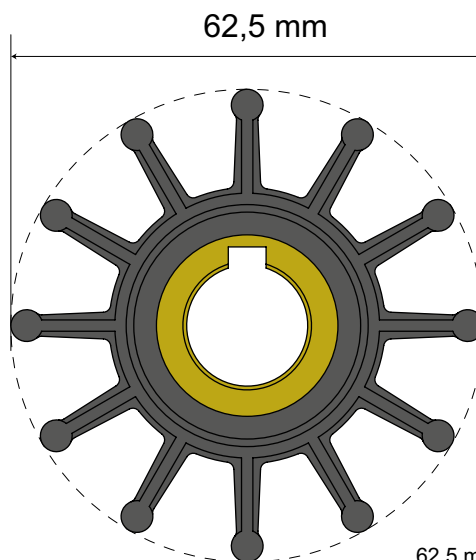
albinus®

Part nr. : 06-01-015

Replaces the following impellers:

Sherwood	09000K
----------	--------

Kit contains impeller, lubricant and any required O-rings / gaskets



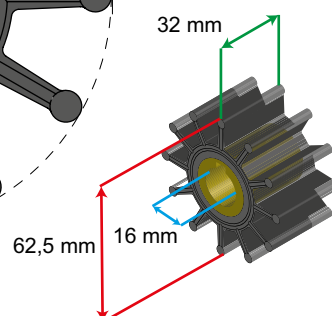
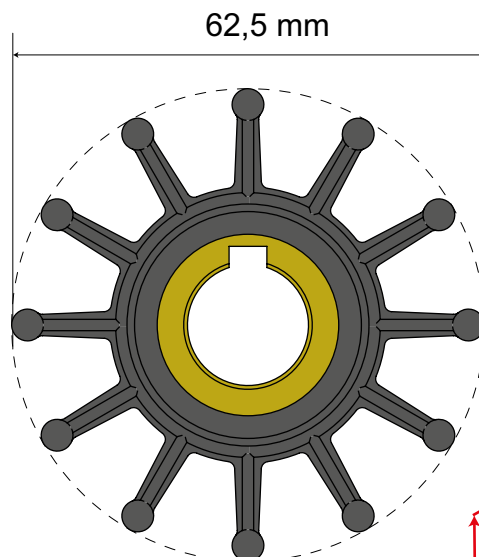
albinus®

Part nr. : 06-01-016

Replaces the following impellers:

Jabsco	18838-0001
Johnson	09-701B-1
Sherwood	9959K

Kit contains impeller, lubricant and any required O-rings / gaskets



albinus®

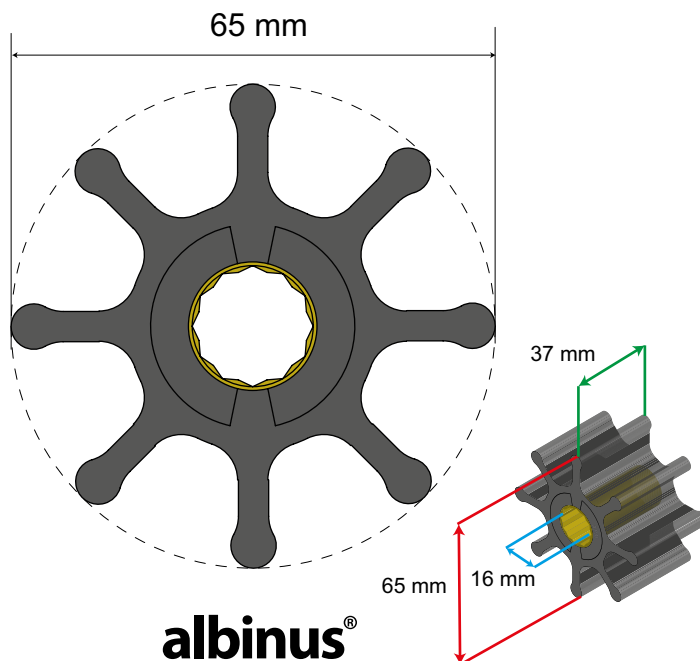
Pleasure Boat Impellers

Part nr. : 06-01-017

Replaces the following impellers:

Jabsco 11979-0001
Yanmar 122610-42021

Kit contains impeller, lubricant and any required O-rings/gaskets



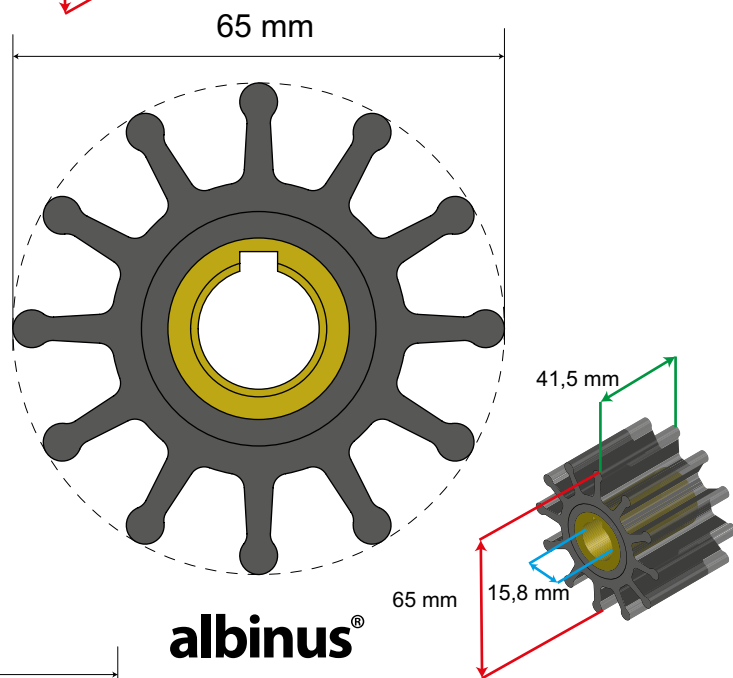
albinus[®]

Part nr. : 06-01-018

Replaces the following impellers:

Jabsco 18948-0001
Johnson 09-702B-1
Sherwood 10615K

Kit contains impeller, lubricant and any required O-rings/gaskets



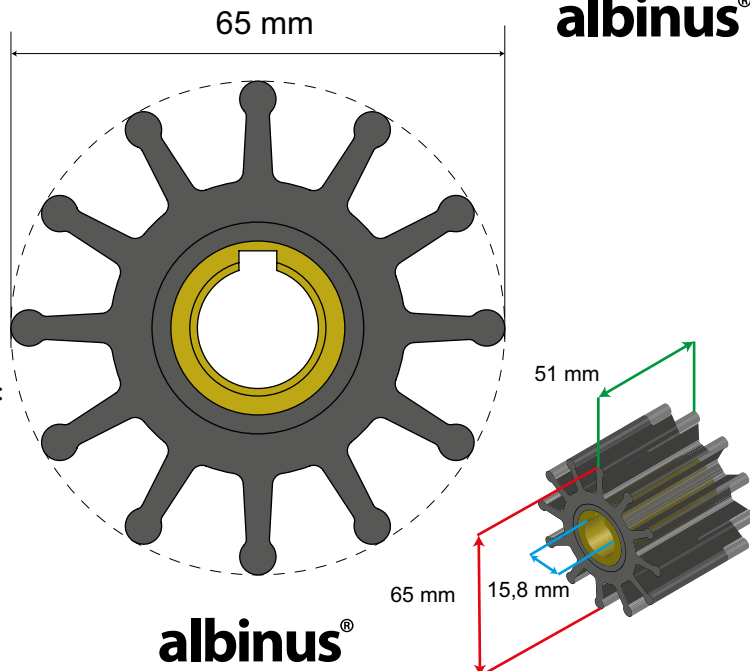
albinus[®]

Part nr. : 06-01-019

Replaces the following impellers:

Jabsco 18327-0001
Sherwood 15000K

Kit contains impeller, lubricant and any required O-rings/gaskets
page 64



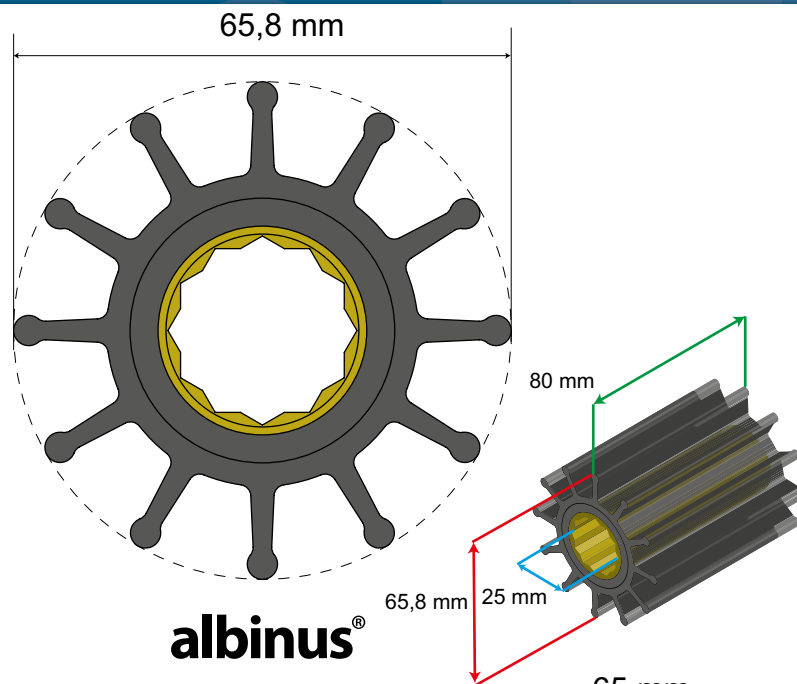
albinus[®]

Part nr. : 06-01-020

Replaces the following impellers:

Johnson	09-821BT-1
Volvo Penta	876771
Yanmar	119574-42550

Kit contains impeller, lubricant and any required O-rings / gaskets

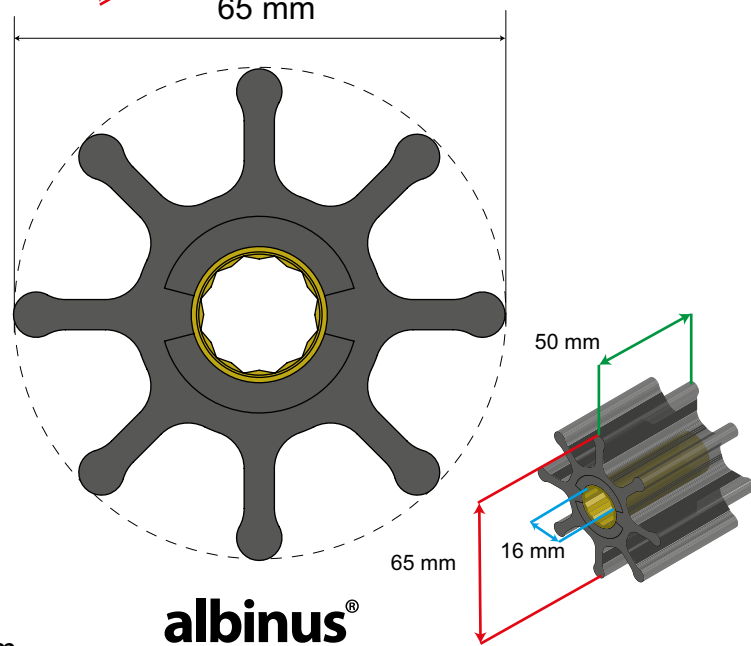


Part nr. : 06-01-021

Replaces the following impellers:

Jabsco	920-0001
Johnson	09-1028B-1
Sherwood	18200K
Volvo Penta	877061
Yanmar	123325-42020

Kit contains impeller, lubricant and any required O-rings / gaskets



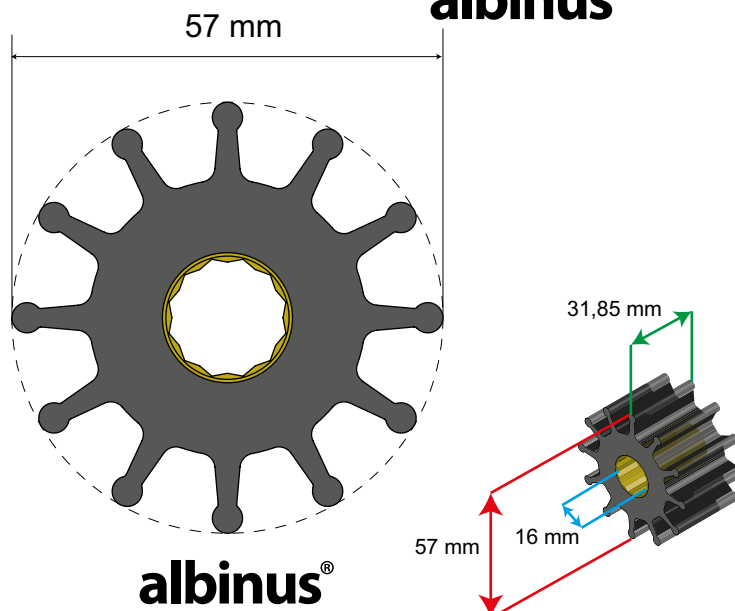
Part nr. : 06-01-037

0,35 mm wider than the impeller 06-01-012

Replaces the following:

Johnson	09-1027B-10
Volvo Penta	21213650

Kit contains impeller, lubricant and any required O-rings / gaskets



Commercial Boat Impellers

Commercial Boat Impellers

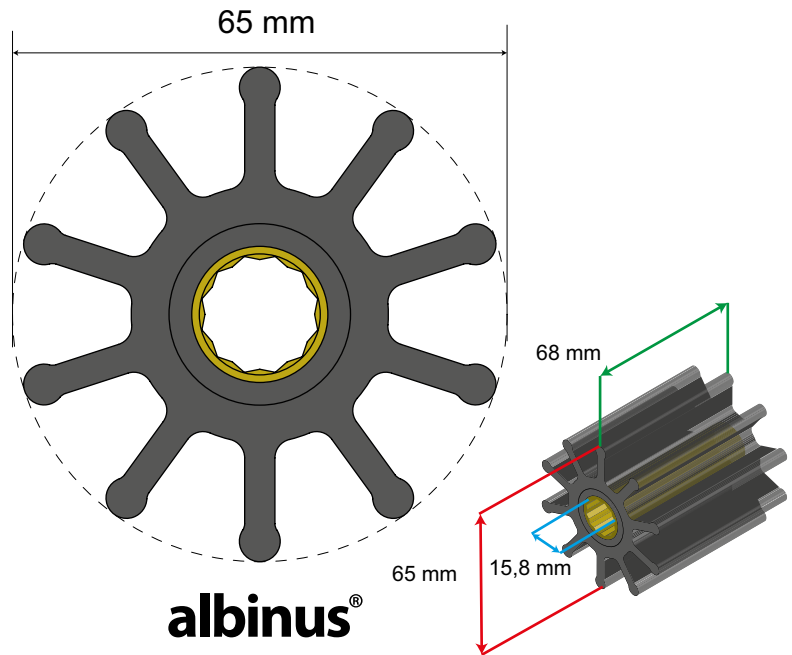
Part nr. : 06-02-022

Replaces the following impellers:

Jabsco 09-821BT-1

JMP 7420-01

Kit contains impeller, lubricant and any required O-rings / gaskets



Part nr. : 06-02-023

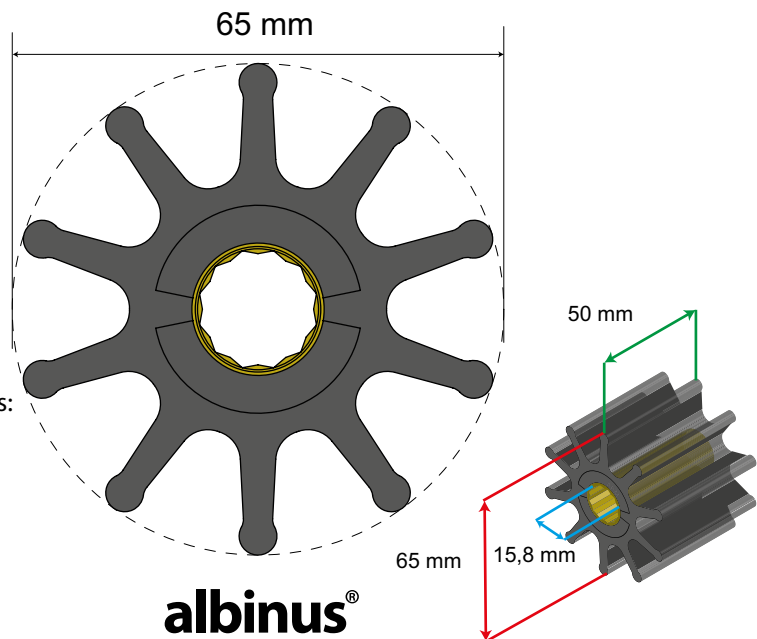
Replaces the following impellers:

Jabsco 17937-0001

JMP 7426-01

Volvo Penta 3588475

Kit contains impeller, lubricant and any required O-rings / gaskets

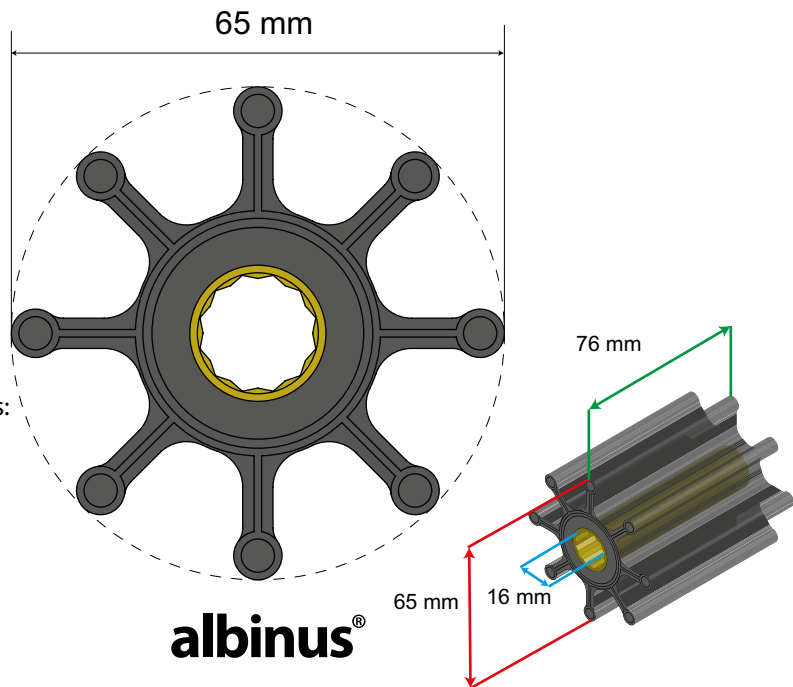


Part nr. : 06-02-024

Replaces the following impellers:

Jabsco	17018-0001
JMP	7446-01
Volvo Penta	3593573

Kit contains impeller, lubricant and any required O-rings / gaskets

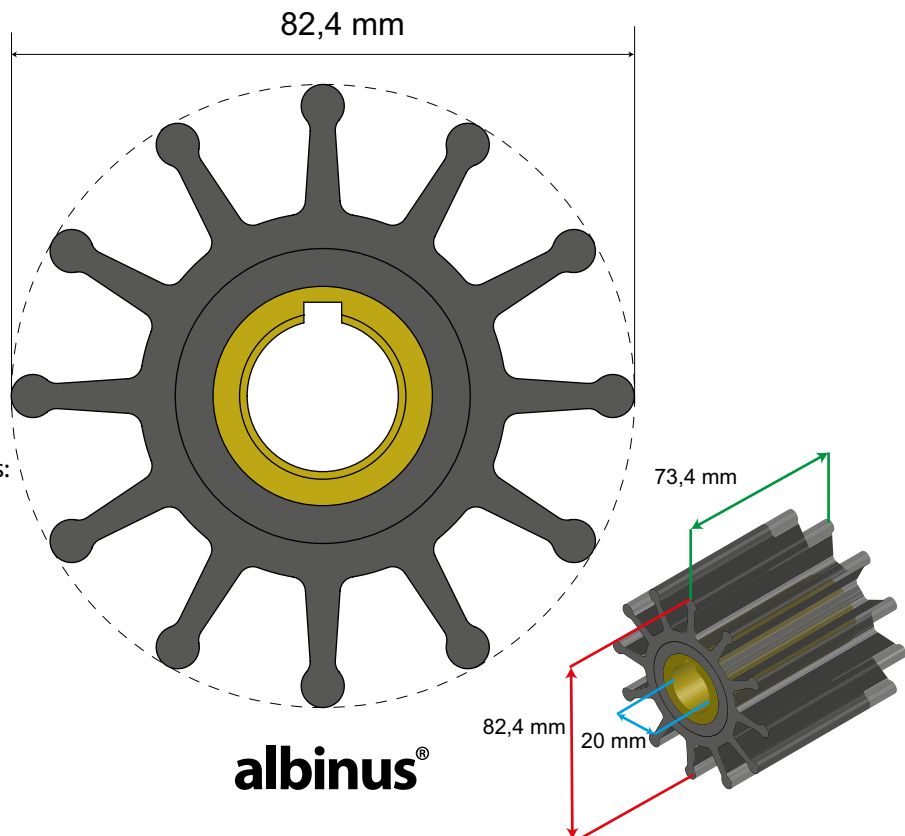


Part nr. : 06-02-025

Replaces the following impellers:

Jabsco	18958-0001
JMP	7600-01
Johnson	09-704BT-1
Sherwood	17000K

Kit contains impeller, lubricant and any required O-rings / gaskets



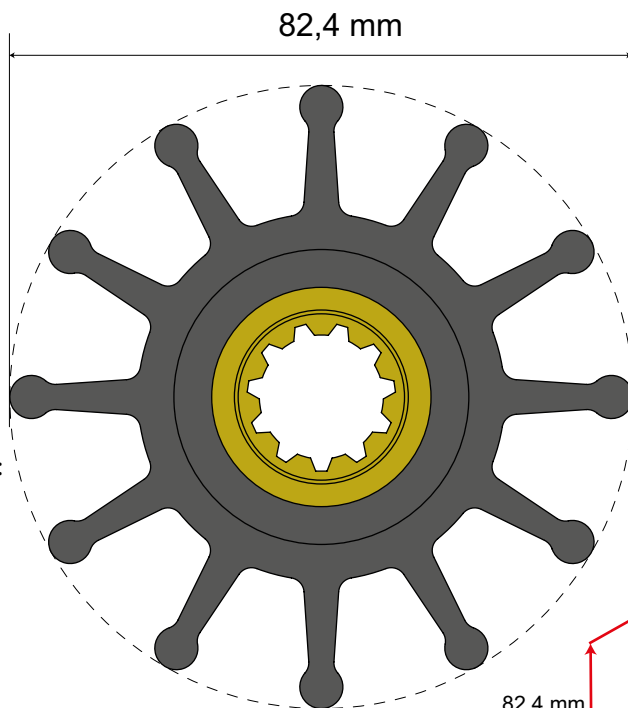
Commercial Boat Impellers

Part nr. : 06-02-026

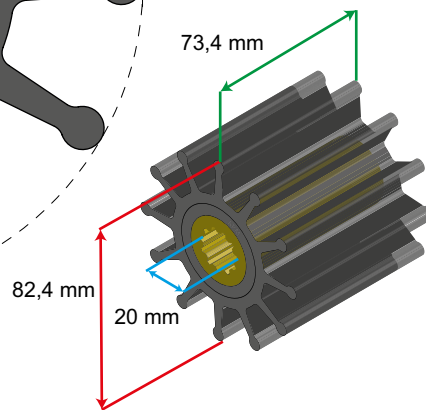
Replaces the following impellers:

JMP	7608-01
Sherwood	27000K

Kit contains impeller, lubricant and any required O-rings / gaskets



albinus®

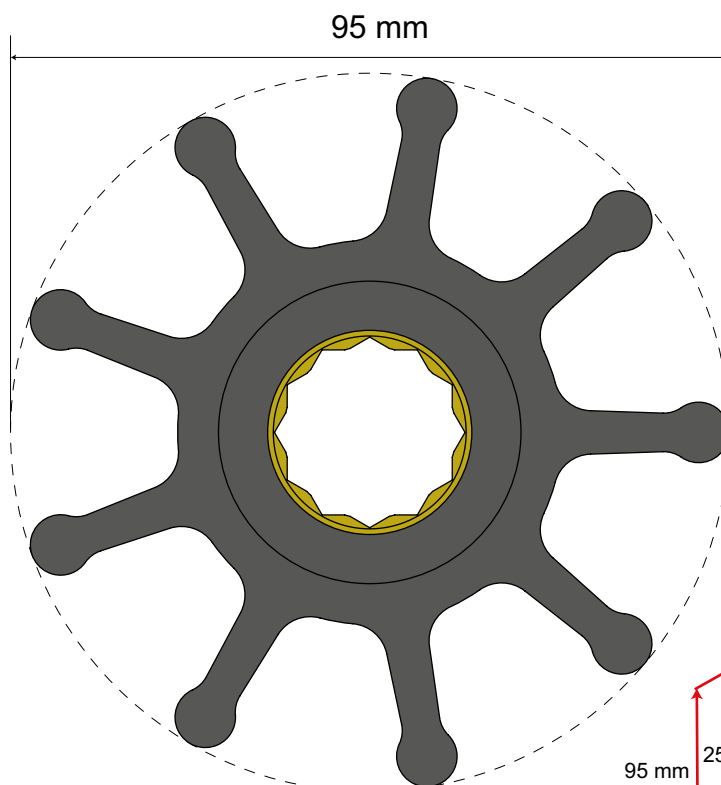


Part nr. : 06-02-027

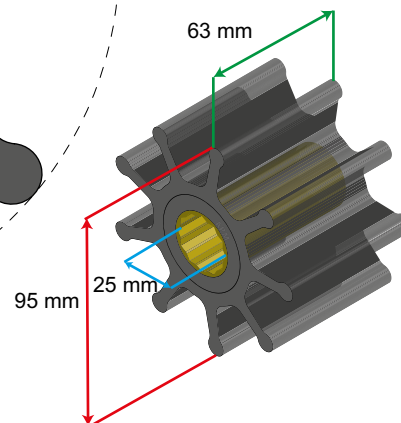
Replaces the following impellers:

Jabsco	836-0001
JMP	8000-01
Johnson	09-1029B

Kit contains impeller, lubricant and any required O-rings / gaskets



albinus®

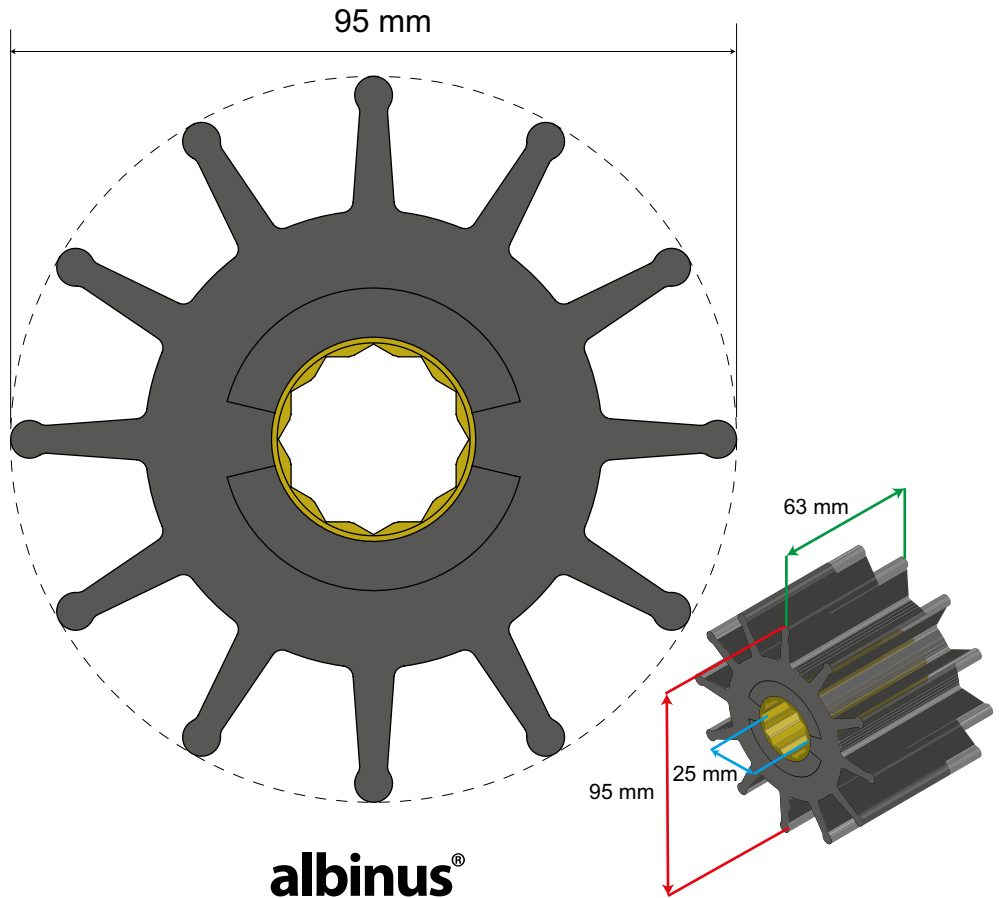


Part nr. : 06-02-028

Replaces the following impellers:

Jabsco	17935-0001
JMP	8100-01
Johnson	09-819B
Volvo Penta	875660

Kit contains impeller, lubricant and any required O-rings / gaskets



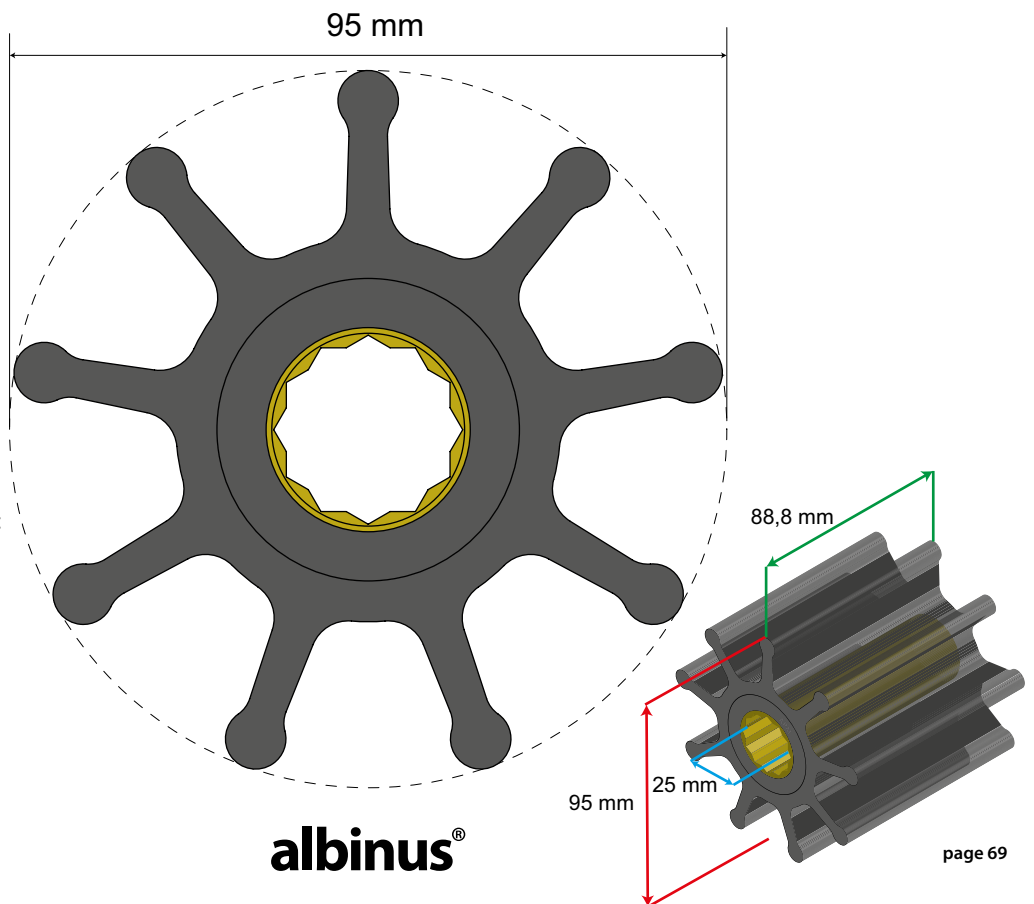
albinus®

Part nr. : 06-02-029

Replaces the following impellers:

Jabsco	6760-0001
JMP	8200-01
Johnson	09-802B
Volvo Penta	842857
Yanmar	125613-42762

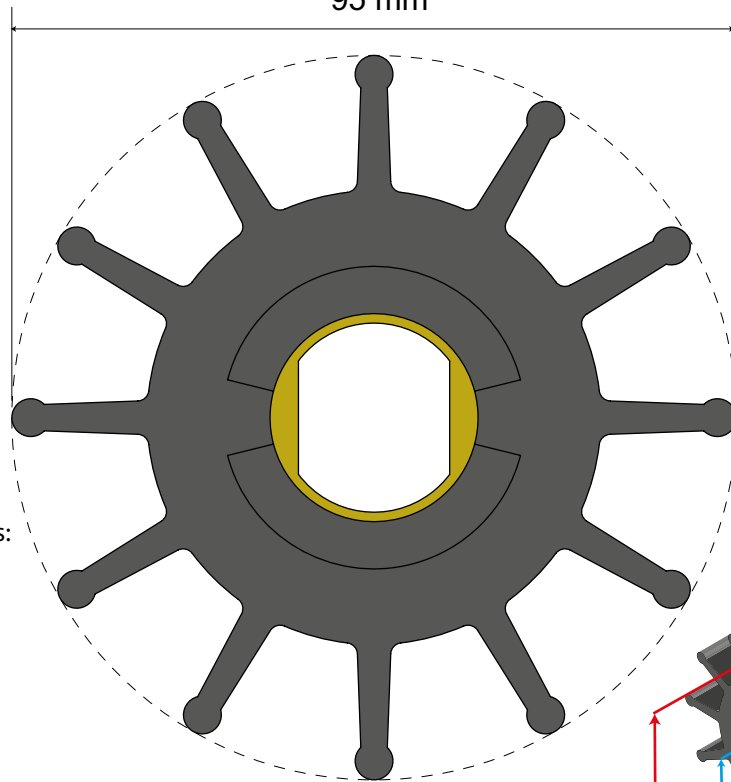
Kit contains impeller, lubricant and any required O-rings / gaskets



albinus®

Commercial Boat Impellers

95 mm



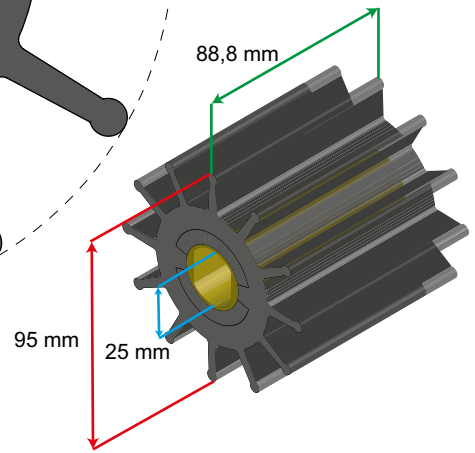
Part nr. : 06-02-030

Replaces the following impellers:

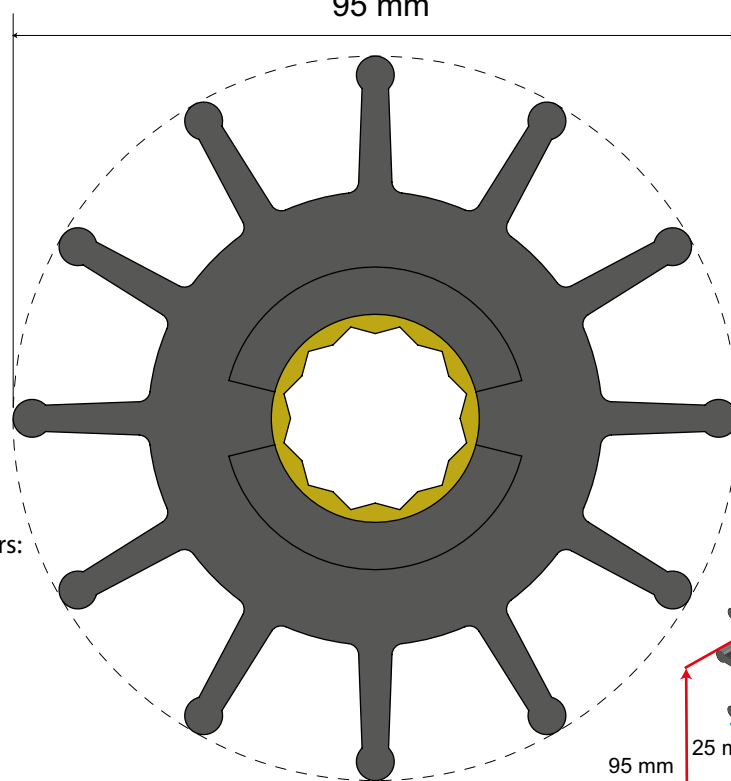
Jabsco	17370-0001
JMP	8300-01

Kit contains impeller, lubricant and any required O-rings / gaskets

albinus®



95 mm



Part nr. : 06-02-031

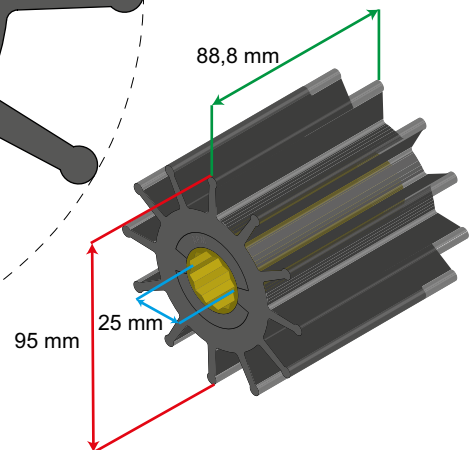
Replaces the following impellers:

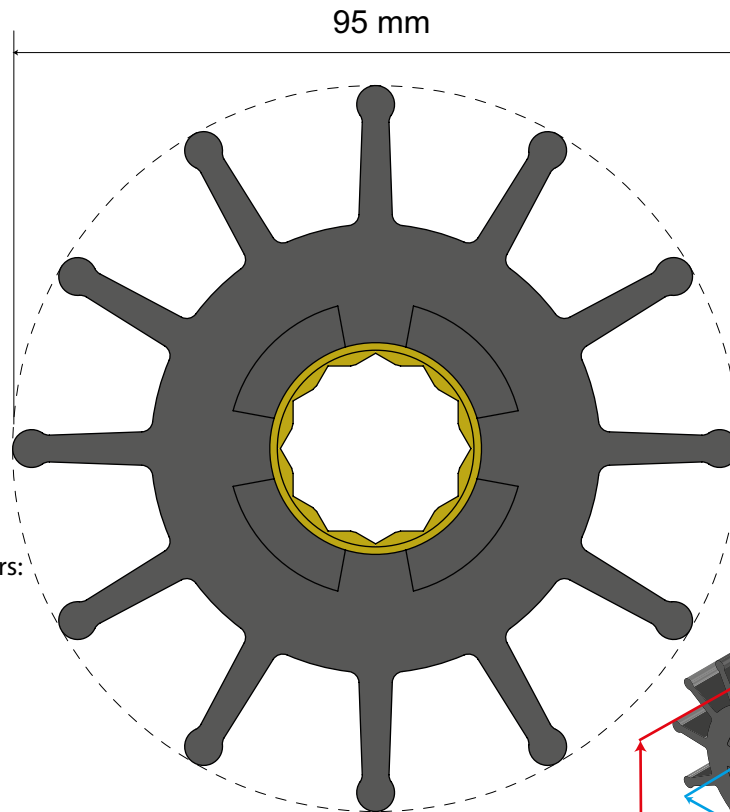
Jabsco	17936-0001
JMP	8301-01
Johnson	09-814B
Volvo Penta	875660

Kit contains impeller, lubricant and any required O-rings / gaskets

page 70

albinus®





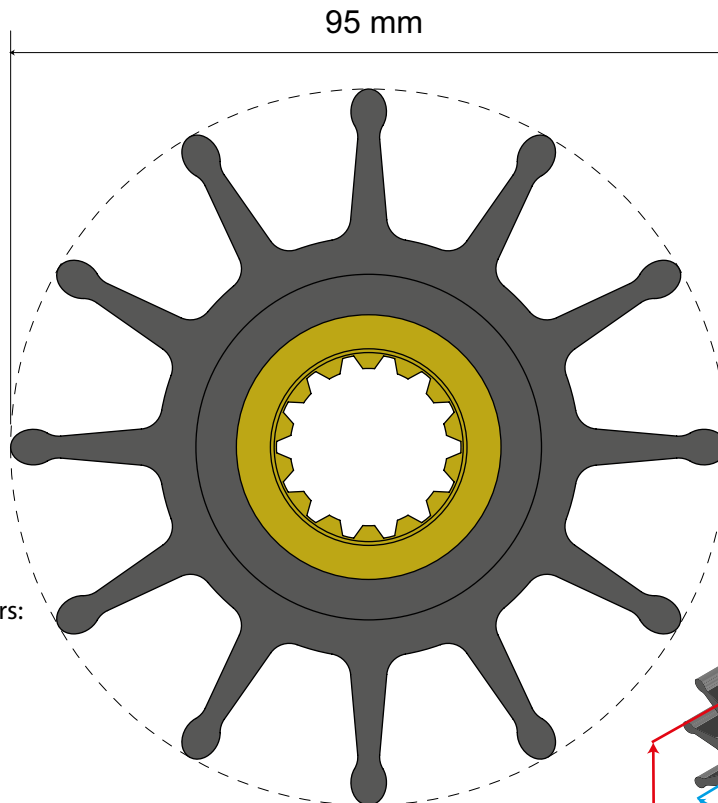
Part nr. : 06-02-032

Replaces the following impellers:

Jabsco	17938-0001
JMP	8326-01
Volvo Penta	3830459

Kit contains impeller, lubricant and any required O-rings / gaskets

albinus®



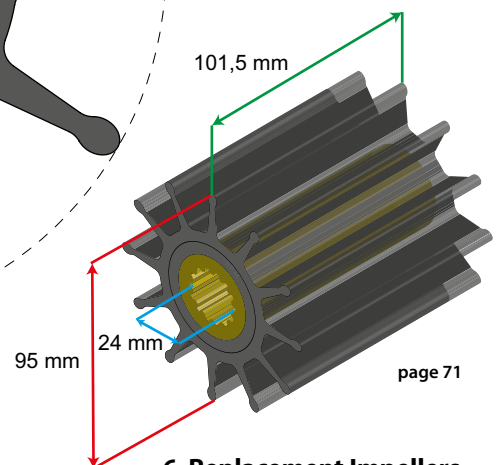
Part nr. : 06-02-033

Replaces the following impellers:

JMP	8350-01
Johnson	09-705BT-01
Sherwood	18000K

Kit contains impeller, lubricant and any required O-rings / gaskets

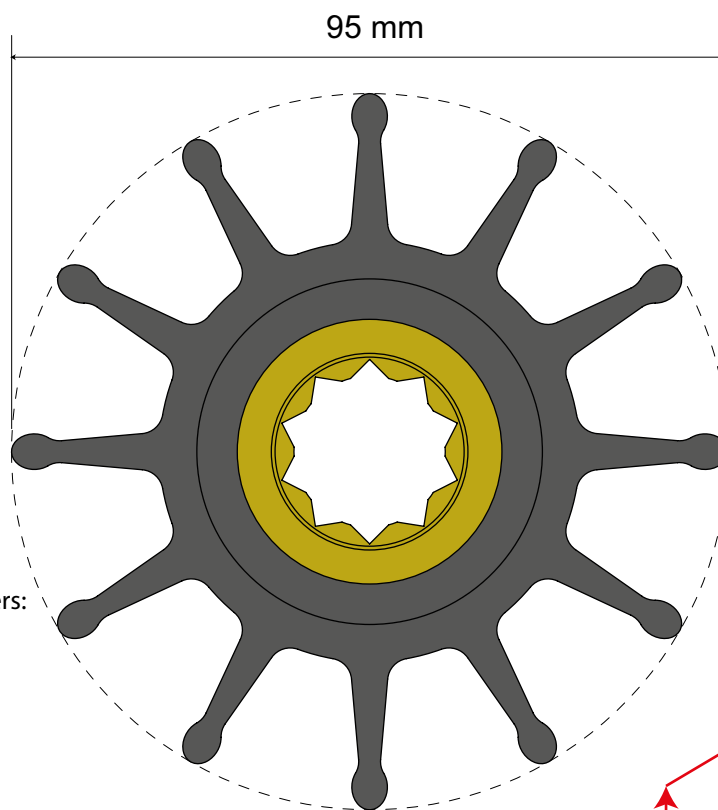
albinus®



page 71

6 Replacement Impellers

Commercial Boat Impellers



Part nr. : 06-02-034

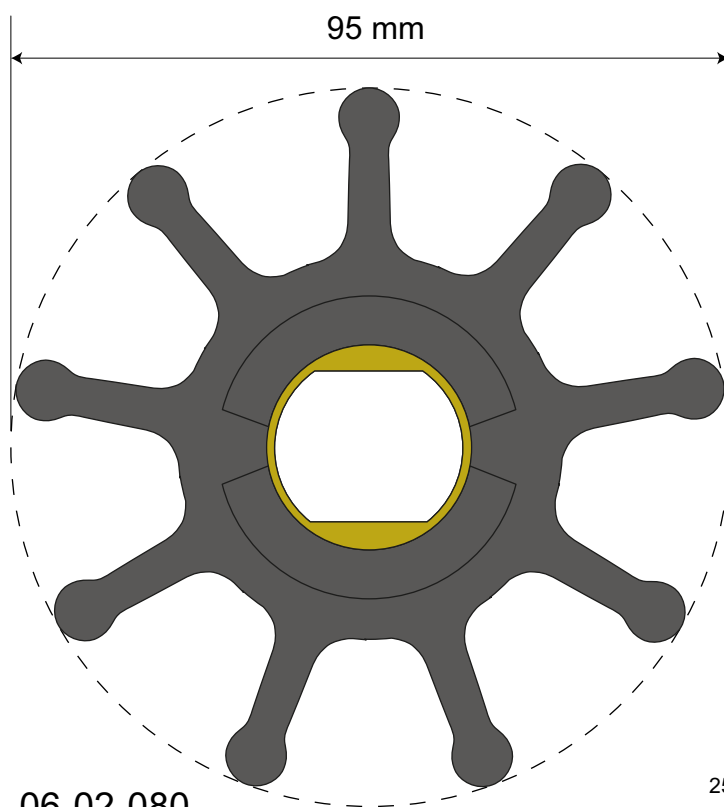
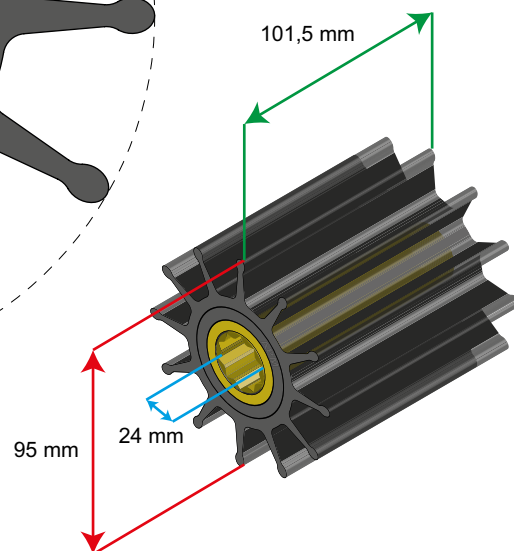
Replaces the following impellers:

JMP 8359-01

Sherwood 29000K

Kit contains impeller, lubricant and any required O-rings/gaskets

albinus®



Part nr. : 06-02-080

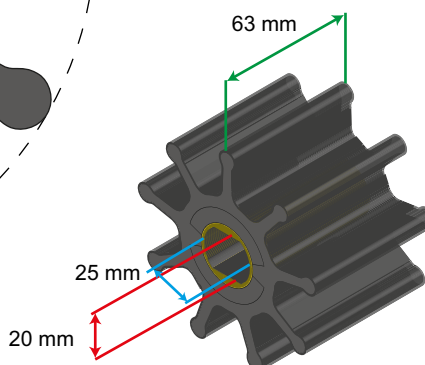
Replaces the following impellers:

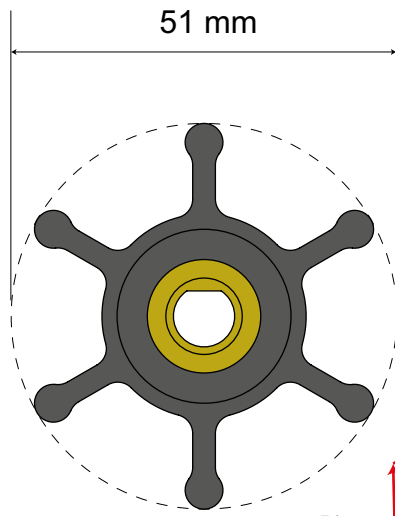
Doosan 60.06804-0010 (old),

page 72 400902-00080 (new)

Kit contains impeller, lubricant and any required O-rings/gaskets

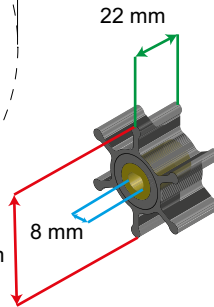
albinus®





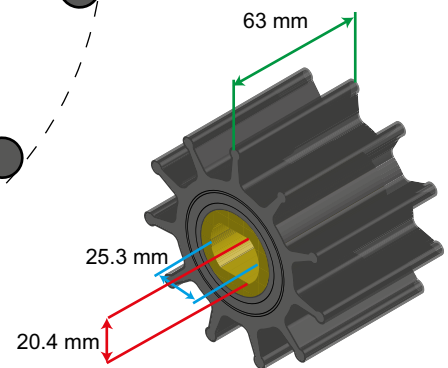
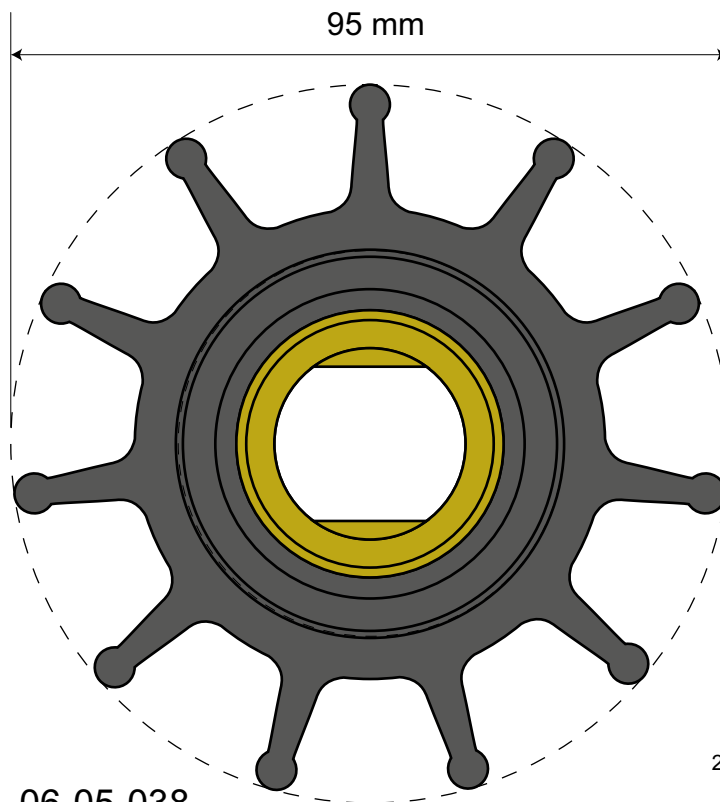
Special Impellers

SKU	Description	Replaces the following impellers
06-04-036	Impeller for ballast pump SKU 04-04-013 and SKU 04-04-014, special material MC19	Johnson 09-824P-1EZ Jabsco 6303-007-P



Kit contains impeller, lubricant and any required O-rings / gaskets

albinus®



Part nr. : 06-05-038

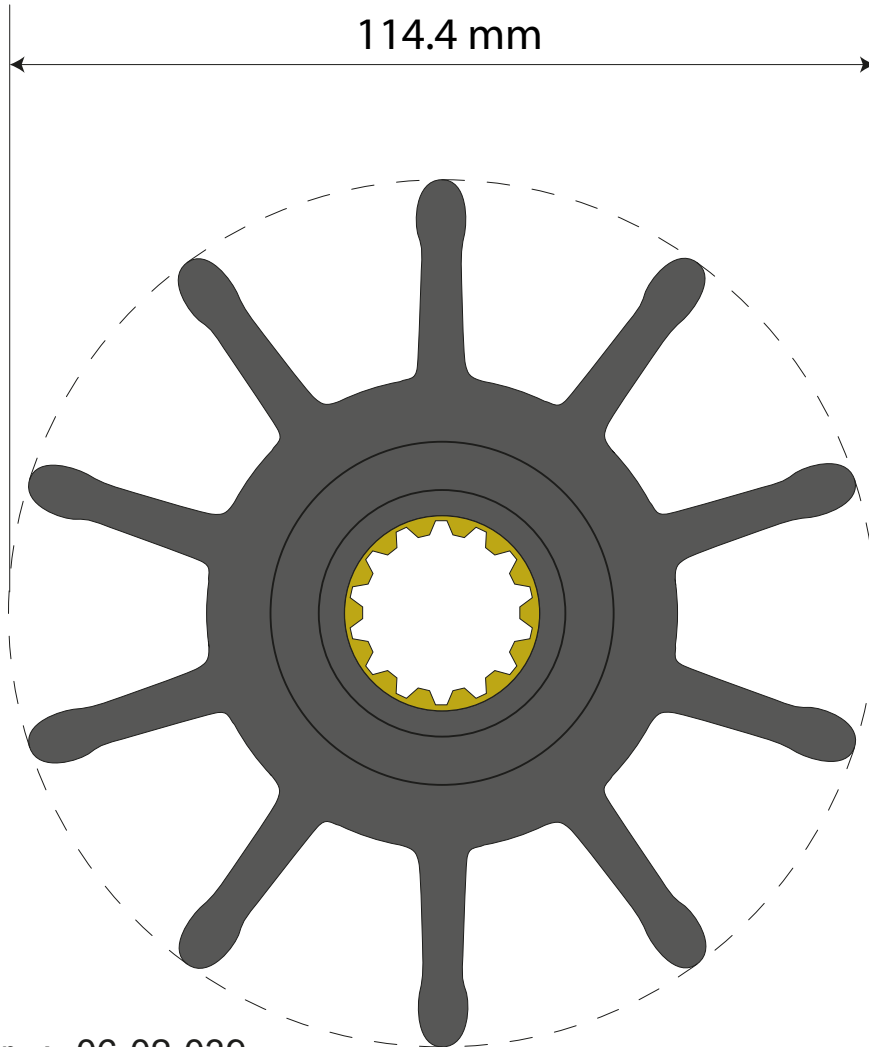
Replaces the following impellers:

Johnson 09-838S
Jabsco 8983-0005

albinus®

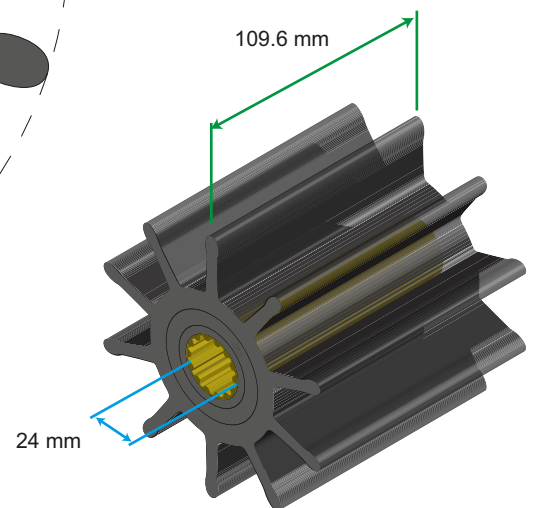
Kit contains impeller, lubricant and any required O-rings / gaskets

Special Impellers

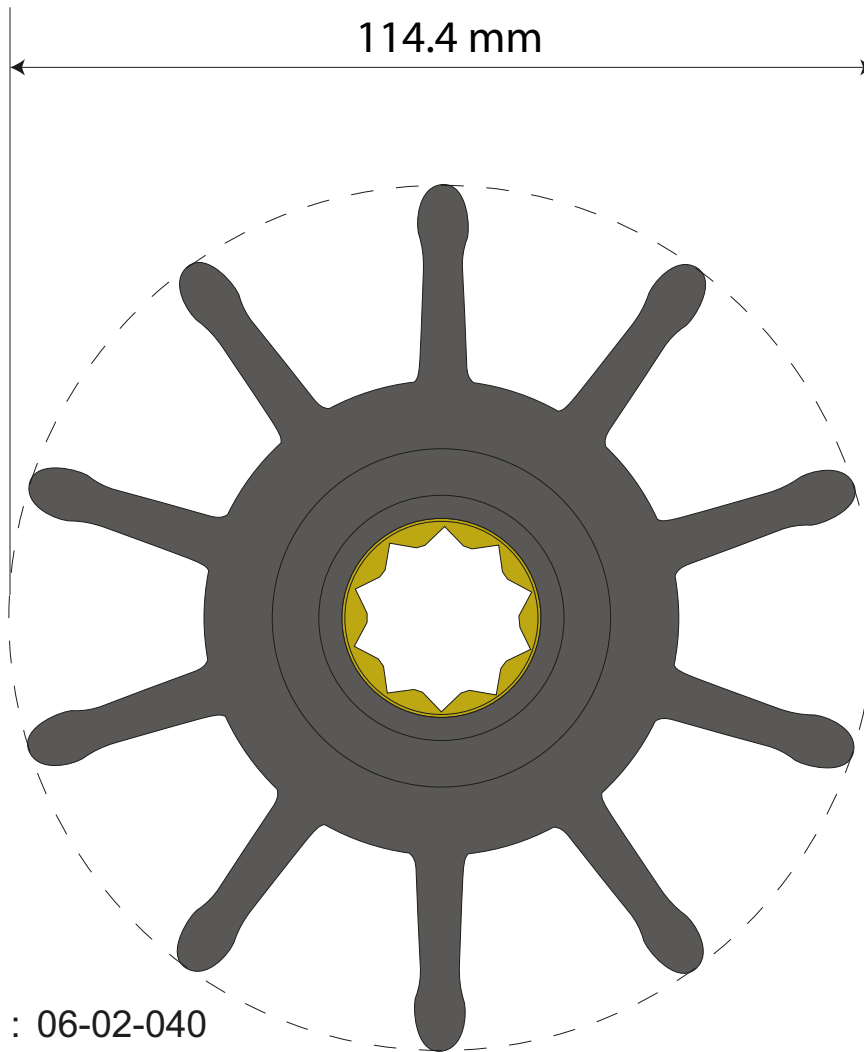


Part nr. : 06-02-039
Replaces the following impellers:
Sherwood 22000, 22000K

albinus[®]



Kit contains impeller, lubricant and any required O-rings / gaskets

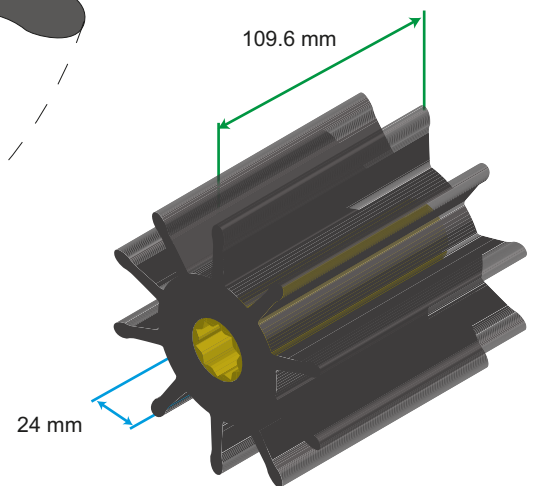


Part nr. : 06-02-040

Replaces the following impellers:

Sherwood	3000, 3000K
Catepillar	3228595

albinus[®]



Kit contains impeller, lubricant and any required O-rings/gaskets

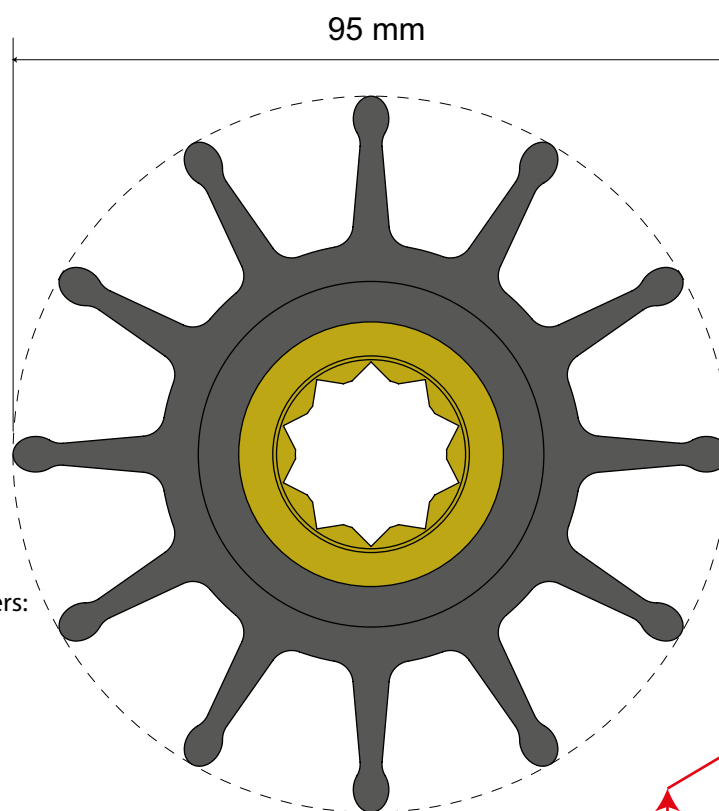
Special Impellers

APM: 06-02-041

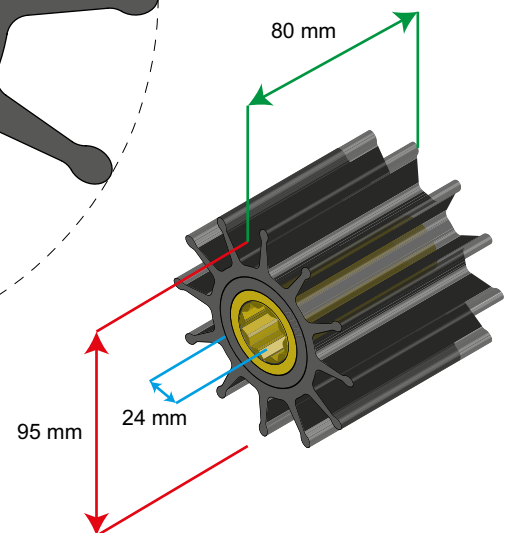
Replaces the following impellers:

Sherwood 26000K

Cummins 3972366a



albinus[®]



Kit contains impeller, lubricant and any required O-rings / gaskets

Premium Outboard Impellers

Albinus offers a wide range of Copolymer, high quality, replacement impellers for most outboard engines. In the tables below are listed the CEF and Sierra impeller equivalents, as well as the outboard engine reference.

Albinus Premium Outboard Impeller SKU	CEF SKU	Sierra SKU	Engine Reference
06-03-042	500377	18-3098	Mercury / Mariner / Mercruiser 47-16154-3 Nissan / Tohatsu 369-65021-1



Albinus Premium Outboard Impeller SKU	CEF SKU	Sierra SKU	Engine Reference
06-03-043	500325	18-3073	Mercury / Mariner / Mercruiser 47-96305M Yamaha 6E0-44352-00



Albinus Premium Outboard Impeller SKU	CEF SKU	Sierra SKU	Engine Reference
06-03-044	500354	18-3091	Johnson / Evinrude 389576/436137



Albinus Premium Outboard Impeller SKU	CEF SKU	Sierra SKU	Engine Reference
06-03-045	500332	18-3015	Johnson / Evinrude 433915/433935/396852



Albinus Premium Outboard Impeller SKU	CEF SKU	Sierra SKU	Engine Reference
06-03-046	500318	18-3062	Chrysler / Force 47-42038-2 Mercury / Mariner / Mercruiser 47-42038-2



Albinus Premium Outboard Impeller SKU	CEF SKU	Sierra SKU	Engine Reference
06-03-047	500336	18-3097	Suzuki 17461-98501/02/03



Albinus Premium Outboard Impeller SKU	CEF SKU	Sierra SKU	Engine Reference
06-03-048	500321	18-3063	Mercury / Mariner / Mercruiser 47-95611M Yamaha 662-44352-01



page 77

Premium Outboard Impellers



Albinus Premium Outboard Impeller SKU	CEF SKU	Sierra SKU	Engine Reference
06-03-049	500312	18-3007	Mercury / Mariner / Mercruiser 47-89983 Suzuki 17461-95201



Albinus Premium Outboard Impeller SKU	CEF SKU	Sierra SKU	Engine Reference
06-03-050	500302	18-3066	Mercury / Mariner / Mercruiser 47-11590M Yamaha 6G1-44352-00



Albinus Premium Outboard Impeller SKU	CEF SKU	Sierra SKU	Engine Reference
06-03-051	500355	18-3050	Johnson / Evinrude 386084



Albinus Premium Outboard Impeller SKU	CEF SKU	Sierra SKU	Engine Reference
06-03-052	500363	18-3040	Yamaha 63V-44352-01



Albinus Premium Outboard Impeller SKU	CEF SKU	Sierra SKU	Engine Reference
06-03-053	500350	18-3001	Johnson / Evinrude 277181/434424



Albinus Premium Outboard Impeller SKU	CEF SKU	Sierra SKU	Engine Reference
06-03-054	500301	18-3056	Mercury / Mariner / Mercruiser 47-43026-T2 Honda 19210-ZW1-003/303 Chrysler / Force 47-43026-2



Albinus Premium Outboard Impeller SKU	CEF SKU	Sierra SKU	Engine Reference
06-03-055	500316	18-3069	Mercury / Mariner / Mercruiser 47-81423M / 47-97108M Yamaha 6H3-44352-00 / 697-44352-00

Premium Outboard Impellers

Albinus Premium Outboard Impeller SKU	CEF SKU	Sierra SKU	Engine Reference
06-03-056	500344	18-8920	Nissan / Tohatsu 3B2-65021-1



Albinus Premium Outboard Impeller SKU	CEF SKU	Sierra SKU	Engine Reference
06-03-057	500315	18-3057	Chrysler / Force 47-85089-3 Mercury / Mariner / Mercruiser 47-85089-3



Albinus Premium Outboard Impeller SKU	CEF SKU	Sierra SKU	Engine Reference
06-03-058	500310	18-3039	Mercury / Mariner / Mercruiser 47-89981



Albinus Premium Outboard Impeller SKU	CEF SKU	Sierra SKU	Engine Reference
06-03-059	500327	18-3245	Honda 19210-881-003/A01



Albinus Premium Outboard Impeller SKU	CEF SKU	Sierra SKU	Engine Reference
06-03-060	500358	18-3090	Johnson / Evinrude 387361/763735



Albinus Premium Outboard Impeller SKU	CEF SKU	Sierra SKU	Engine Reference
06-03-061	500348	18-32455	Honda 19210-ZW9-A32



Albinus Premium Outboard Impeller SKU	CEF SKU	Sierra SKU	Engine Reference
06-03-062	500322	18-8911	Yamaha 6L5-44352-00



Premium Outboard Impellers



Albinus Premium Outboard Impeller SKU	CEF SKU	Sierra SKU	Engine Reference
06-03-063	500314	18-3054	Mercury / Mariner / Mercruiser 47-89980



Albinus Premium Outboard Impeller SKU	CEF SKU	Sierra SKU	Engine Reference
06-03-064	500326	18-3067	Mercury / Mariner / Mercruiser 47-84797M Yamaha 689-44352-02



Albinus Premium Outboard Impeller SKU	CEF SKU	Sierra SKU	Engine Reference
06-03-065	500352	18-3088	Yamaha 6F5-44352-00 / 676-44352-00



Albinus Premium Outboard Impeller SKU	CEF SKU	Sierra SKU	Engine Reference
06-03-066	500383	18-8921	Nissan / Tohatsu 334-65021-0



Albinus Premium Outboard Impeller SKU	CEF SKU	Sierra SKU	Engine Reference
06-03-067	500320	18-3074	Mercury / Mariner / Mercruiser 47-84027M Yamaha 682-44352-01



Albinus Premium Outboard Impeller SKU	CEF SKU	Sierra SKU	Engine Reference
06-03-068	500362	18-3096	Suzuki 17461-96301/11/12



Albinus Premium Outboard Impeller SKU	CEF SKU	Sierra SKU	Engine Reference
06-03-069	500385	18-3068	Yamaha 6H4-44352-02

Premium Outboard Impellers

Albinus Premium Outboard Impeller SKU	CEF SKU	Sierra SKU	Engine Reference
06-03-070	500370	18-3051	Johnson / Evinrude 395289



Albinus Premium Outboard Impeller SKU	CEF SKU	Sierra SKU	Engine Reference
06-03-071	500338	18-3248	Honda 19210-ZV5-003



Albinus Premium Outboard Impeller SKU	CEF SKU	Sierra SKU	Engine Reference
06-03-072	500382	18-8923	Nissan / Tohatsu 345-65021-0



Albinus Premium Outboard Impeller SKU	CEF SKU	Sierra SKU	Engine Reference
06-03-073	500351	18-3002	Johnson / Evinrude 375638/775518



Albinus Premium Outboard Impeller SKU	CEF SKU	Sierra SKU	Engine Reference
06-03-074	500329	18-3099	Suzuki 17461-93901/02/03



Albinus Premium Outboard Impeller SKU	CEF SKU	Sierra SKU	Engine Reference
06-03-075	500371	18-3071	Yamaha 6E5-44352-01



Albinus Premium Outboard Impeller SKU	CEF SKU	Sierra SKU	Engine Reference
06-03-076	500323	18-3070	Yamaha 688-44352-03



albinus[®]

Premium Outboard Impellers



Albinus Premium Outboard Impeller SKU	CEF SKU	Sierra SKU	Engine Reference
06-03-077	N/A	N/A	Yamaha 6G0-44352-00



Albinus Premium Outboard Impeller SKU	CEF SKU	Sierra SKU	Engine Reference
06-03-078	N/A	N/A	Yamaha 655-44352-09



Albinus Premium Outboard Impeller SKU	CEF SKU	Sierra SKU	Engine Reference
06-03-079	500324	18-3072	Mercury / Mariner / Mercruiser 47-80395M Yamaha 646-44352-01

Impeller Tools



Out-Peller Universal Tool

Impeller removal tool

- For most common impeller sizes
- Very durable impeller proven to work

SKU	Description
06-03-035	Impeller removal tool



In-Peller Tool

Complete impeller insert kit for most common impeller sizes. Makes fitting the impeller in the pump body very easy, especially in tight spaces by using only one hand. A must for any professional engine mechanic

- 5 different insert tools with diameter 40 mm, 51 mm, 57 mm, 65 mm and 95 mm

SKU	Description
06-03-036	Impeller insertion tools



7 Marine Toilets

A wide range of marine toilets to meet every installation situation onboard. Manual and electric operation in four different sizes: compact low, compact, comfort and premium. All bowls are made of white vitreous porcelain with corrosion resistant parts throughout. The design is appealing and functional, easy to maintain and clean. A wide selection of conversion kits can transform your manual model to electric or silent electric. 2 years limited warranty.

Manual Toilets.....	84
Standard Electric Toilets.....	85
Silent Electric Toilets.....	86
Silent Premium Toilets	87
Toilet Installation	88
Accessories / Spare Parts	90
Spare Parts Schematics	102

albinus[®]

Manual Toilets

The world's best selling design for ease of service in restricted spaces. Highest standards of performance, reliability, noise level and design. All bowls are made of white vitreous porcelain with corrosion resistant parts throughout.

- Appealing and functional design
- Easy to maintain and clean
- Albinus toilets come with a stable base for robust installation, plug & play/ interchangeable with other manual toilet models
- Port connections: inlet 19 mm (¾"), outlet 38 mm (1½")
- Manual ergonomic flush pump with handle that can be mounted on left or right side
- Manual pump with Lock & Unlock settings to prevent movement when not in use or leaving waste pump in open position

The Albinus Manual Marine Toilets are available in three designs:

Compact

Compact size with lower bowl height; white wooden seat

Comfort

Regular size bowl; white thermoplastic soft-close seat

Compact Low

Extra compact size – the most compact manual water toilet model available; smallest and lightest on the market. For tight spaces in smaller boats this model still makes it possible having the comfort of a water toilet onboard; white wooden seat



Manual Compact

SKU	Design	Ports	Dimensions W x D x H	Weight	Replaces
07-01-001	Compact, lower height bowl; white wooden seat	inlet 19 mm (¾"), outlet 38 mm (1½")	450 x 425 x 345 mm (17.7 x 16.7 x 13.6 in) height with seat open: 650 mm (25.6 in)	9.6 kg 21 lbs	Johnson Pump 80-47229-01 Jabsco 29090-3000

Manual Comfort

SKU	Design	Ports	Dimensions W x D x H	Weight	Replaces
07-01-002	Comfort, regular height bowl; white thermoplastic soft-close seat	inlet 19 mm (¾"), outlet 38 mm (1½")	470 x 490 x 340 mm (18.5 x 19.3 x 13.4 in) height with seat open: 705 mm (27.8 in)	11 kg 24 lbs	Johnson Pump 80-47230-01 Jabsco 29120-3000

Manual Compact Low

SKU	Design	Ports	Dimensions W x D x H	Weight	Replaces
07-01-003	Extra Compact, white wooden seat	inlet 19 mm (¾"), outlet 38 mm (1½")	450 x 425 x 310 mm (17.7 x 16.7 x 12.2 in) height with seat open: 610 mm (24 in)	8.5 kg 19 lbs	Johnson Pump 80-47625-01

The world's best selling design for ease of service in restricted spaces. Highest standards of performance, reliability, noise level and design. All bowls are made of white vitreous porcelain with corrosion resistant parts throughout.

- Combined electrical 12V or 24V macerator and pump for waste disposal and flushing in one single operation
- One touch electrical control panel
- Appealing and functional design
- Easy to maintain and clean
- Albinus toilets come with a stable base for robust installation, plug & play/ interchangeable with other single operated or dual cycle electrical toilet models
- Port connections: inlet 19 mm (¾"), outlet 25 mm or 38 mm (1" or 1½")

The Albinus Standard Electric Marine Toilets are available in four designs:

Compact:

Compact size with lower bowl height; white wooden seat

Comfort:

Regular size bowl; white thermoplastic soft-close seat

Compact Low:

Extra compact size – smallest and lightest on the market, white wooden seat

Design:

Robust, stable and compact with a preferred appearance like a home toilet.

EVO Compact Standard Electric

SKU	Design	Ports	Voltage	Fuse	Dimensions W x D x H	Weight	Replaces
07-02-004	Compact, lower height bowl; white wooden seat	inlet 19 mm (¾"), outlet 25 mm or 38 mm (1" or 1½")	12V	17A	345x470x390 mm (13.6x18.5x15.4 in)	9.5 kg	Johnson Pump 80-47435-01 Jabsco 37010-0090
07-02-005			24V	8A	height with seat open: 690 mm (27.2 in)	21 lbs	Johnson Pump 80-47435-02 Jabsco 37010-0096

EVO Comfort Standard Electric

SKU	Design	Ports	Voltage	Fuse	Dimensions W x D x H	Weight	Replaces
07-02-006	Comfort, regular height bowl; white thermoplastic soft-close seat	inlet 19 mm (¾"), outlet 25 mm or 38 mm (1" or 1½")	12V	17A	360x510x370 mm (14.2x20.1x14.6 in)	11 kg	Johnson Pump 80-47436-01 Jabsco 37010-1090
07-02-007			24V	8A	height with seat open: 765 mm (30.1 in)	24 lbs	Johnson Pump 80-47436-02 Jabsco 37010-1096

EVO Compact Low Standard Electric

SKU	Design	Ports	Voltage	Fuse	Dimensions W x D x H	Weight	Replaces
07-02-008	Extra Compact; white wooden seat	inlet 19 mm (¾"), outlet 25 mm or 38 mm (1" or 1½")	12V	17A	340x470x340 mm (13.4x18.5x13.4 in)	9.2 kg	Johnson Pump 80-47626-01
07-02-009			24V	8A	height with seat open: 645 mm (25.4 in)	20 lbs	

Design Standard Electric

SKU	Design	Ports	Voltage	Fuse	Dimensions W x D x H	Weight
07-02-043	Single operation; white wooden seat	inlet 19 mm (¾"), outlet 25 mm or 38 mm (1" or 1½")	12V	24A	340x400x410 mm (13.4x15.7x16.1 in)	18 kg
07-02-044			24V	12A	height with seat open: 720 mm (28.3 in)	40 lbs

Standard Electric Toilets



Silent Electric Toilets

The world's best selling design for ease of service in restricted spaces. Highest standards of performance, reliability, noise level and design. All bowls are made of white vitreous porcelain with corrosion resistant parts throughout.

- Separated flushing and waste disposal cycle
- Rocker switch control panel; selects normal flush cycle, raises & lower water level in bowl as required
- Water is from existing pressurized water system onboard with solenoid valve (12V: SKU 07-66-030, 24V: SKU 07-66-031) or flush pump (12V: SKU 07-66-032, 24V: SKU 07-66-033) – not included
- Silent operation and low water consumption
- Appealing and functional design
- Easy to maintain and clean
- Albinus toilets come with a stable base for robust installation, plug & play/ interchangeable with other single operated or dual cycle electrical toilet models
- Port connections: inlet 19 mm (¾"), outlet 25 mm or 38 mm (1" or 1½")

The Albinus Silent Electric Marine Toilets are available in three designs:

Compact:

Compact size with lower bowl height; white wooden seat

Comfort:

Regular size bowl; white thermoplastic soft-close seat

Design:

Robust, stable and compact with a preferred appearance like a home toilet.



Compact Silent Electric

SKU	Design	Ports	Voltage	Fuse	Dimensions W x D x H	Weight	Replaces
07-03-010	Compact, lower height bowl; white wooden seat	inlet 19 mm (¾"), outlet 25 mm or 38 mm (1" or 1½")	12V	17 A	340 x 440 x 390 mm (13.4 x 17.3 x 15.4 in)	9.2 kg 20 lbs	Johnson Pump 80-47231-01 Jabsco 37045-0092
07-03-011			24V	8 A	height with seat open: 700 mm (27.6 in)		Johnson Pump 80-47231-02 Jabsco 37045-0094

Comfort Silent Electric

SKU	Design	Ports	Voltage	Fuse	Dimensions W x D x H	Weight	Replaces
07-03-012	Comfort, regular height bowl; white thermoplastic soft-close seat	inlet 19 mm (¾"), outlet 25 mm or 38 mm (1" or 1½")	12V	17 A	360 x 470 x 370 mm (14.2 x 18.5 x 14.6 in)	10.8 kg 24 lbs	Johnson Pump 80-47232-01 Jabsco 37045-1092
07-03-013			24V	8 A	height with seat open: 780 mm (30.7 in)		Johnson Pump 80-47232-02 Jabsco 37045-1094

Design Silent Electric

SKU	Design	Ports	Voltage	Fuse	Dimensions W x D x H	Weight
07-03-045	Dual cycle; white wooden seat	inlet 19 mm (¾"), outlet 25 mm or 38 mm (1" or 1½")	12V	19 A	340 x 400 x 410 mm (13.4 x 15.7 x 16.1 in)	18 kg 40 lbs
07-03-046			24V	10 A	height with seat open: 720 mm (28.3 in)	

Silent Premium Toilets

The world's best selling design for ease of service in restricted spaces. Highest standards of performance, reliability, noise level and design. All bowls are made of white vitreous porcelain with corrosion resistant parts throughout.

- Separated flushing and waste disposal cycle
- Electronic 3 function control panel: before use, after use and short use plus a trimmer to regulate the flow rate
- Premium white varnished wood Luxury Premium softclose seat with stainless steel hinges
- Water is from existing pressurized water system onboard with solenoid valve (Premium valve 12V: SKU 07-66-035; Bronze valves 12V: SKU 07-66-030, 24V: SKU 07-66-031) or flush pump (12V: SKU 07-66-032, 24V: SKU 07-66-033) – not included
- Very silent operation and maximized comfort; low water consumption
- Appealing and functional design
- Easy to maintain and clean
- Albinus toilets come with a stable base for robust installation, plug & play/ interchangeable with other single operated or dual cycle electrical toilet models
- Port connections: inlet 19 mm (¾"), outlet 25 mm or 38 mm (1" or 1½")

The Albinus Silent Premium Electric Marine Toilets are available in two designs:

Premium:

Standard height luxury toilet with robust, stable with a preferred premium appearance like a home toilet

Premium Low:

Lower height luxury toilet with robust, stable with a preferred premium appearance like a home toilet

Silent Premium Electric

SKU	Design	Ports	Voltage	Fuse	Dimensions W x D x H	Weight	Replaces
07-04-014	standard height; white varnished wood Luxury Premium softclose seat with stainless steel hinges	inlet 19 mm (¾"), outlet 25 mm or 38 mm (1" or 1½")	12V	30 A	365x455x455mm (14.4x 17.9x 17.9in) height with seat open: 860 mm (33.9in)	21 kg 46 lbs	premium/ luxury models from Jabsco, Dometic, Tecma
07-04-015			24V	16 A			

Silent Premium Low Electric

SKU	Design	Ports	Voltage	Fuse	Dimensions W x D x H	Weight	Replaces
07-04-016	lower height; white varnished wood Luxury Premium softclose seat with stainless steel hinges	inlet 19 mm (¾"), outlet 25 mm or 38 mm (1" or 1½")	12V	30 A	365x455x385 mm (14.4x 17.9x 15.2 in) height with seat open: 720 mm (27.8 in)	20 kg 44 lbs	premium/ luxury models from Jabsco, Dometic, Tecma
07-04-017			24V	16 A			



Installation Manual Toilets

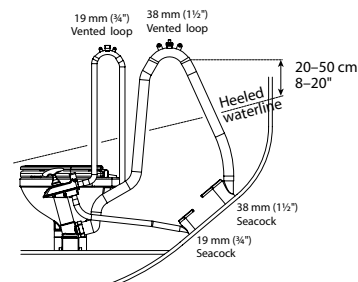
If the toilet is connected to any through-hull fitting and if the rim of the bowl falls below the waterline, for example during heavy seas, there is the risk of water flooding in, causing the boat to sink, which may result in loss of life. Therefore, if the rim of the toilet is less than 20 cm (8") above the waterline when the craft is at rest, or if there is any possibility that the rim of the bowl may be below the waterline at ANY time, a vented loop MUST be fitted in any pipework connected to a through-hull fitting, irrespective of whether inlet or discharge. The loop must be vented to avoid the siphoning of water back into the boat through the toilet.

Toilet below waterline or below holding tank

Inlet: 19 mm (¾") Vented Loop fitting

- Run the inlet hose by the most direct way to the toilet flushing pump inlet connection
- Remove the white hose supplied with the toilet which connects the flushing pump outlet tail to the bowl elbow - using a spanner, rotate the intake seal so that the elbow points upwards - replace the white hose with a longer length of 19 mm (¾") internal diameter hose

and position it in a way so that its point is 20 – 50 cm (8 – 20") above the highest possible waterline and fit the vented loop at that highest point. Caution: DO NOT POSITION THE VENTED LOOP BETWEEN THE INLET SEACOCK AND THE FLUSHING PUMP INLET, as it will make the flushing pump difficult or harder to prime, and could prevent it from working at all.



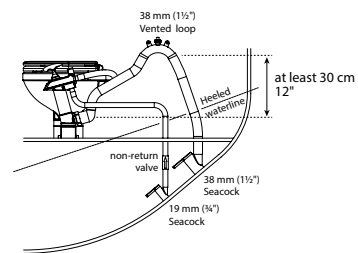
Discharge: 25 mm (1") or 38 mm (1½") Vented Loop fitting Mounting

- Arrange the discharge hose, so that its highest point is 20 – 50 cm (8 – 20") above the waterline or the highest level of the holding tank, and fit the vented loop at the highest point.
- Run the discharge hose from the toilet to the vented loop
- Run the discharge hose from the vented loop to the seacock or holding tank

Toilet above waterline or above holding tank

Inlet: 19 mm hose

- Run the inlet hose by the most direct route from the inlet seacock to a non-return valve.
- Run the inlet hose from the non-return valve to the flushing pump inlet connection.
- For convenience of use, install an in-line non-return valve next to the inlet seacock which will ensure that the pump stays primed in between usages.



Discharge: 25 mm (1") or 38 mm (1½") hose

- Rise the discharge hose at least 30 cm (12") above the discharge elbow and fit a vented loop at its highest point - this will help to retain water in the bowl.
- Connect discharge hose connection on the toilet to the seacock or holding tank.

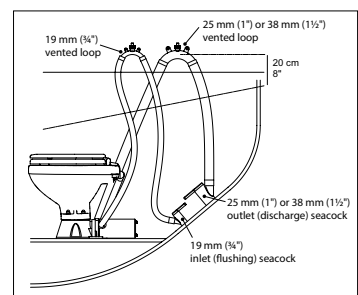
Toilet below waterline or below holding tank

Inlet: 19 mm (¾") Vented Loop fitting

- The vented loop must be positioned it in a way that its point is at least 20 cm (8") above the highest possible waterline
- Run the inlet hose by the most direct way from the inlet seacock to the vented loop
- Run the inlet hose by the most direct way from the vented loop to toilet flushing pump inlet connection.

Discharge: 25 mm (1") or 38 mm (1½") Vented Loop fitting Mounting

- Arrange the discharge hose, so that its highest point is at least 20 cm (8") above the waterline or holding tank, and fit the vented loop at the highest point.
- Run the discharge hose from the toilet to the vented loop
- Run the discharge hose from the vented loop to the seacock or holding tank



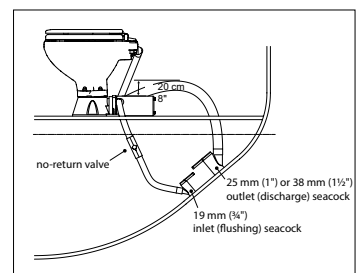
Toilet above waterline or above holding tank

Inlet: 19 mm hose

- Run the inlet hose by the most direct route from the inlet seacock to a non-return valve.
- Run the inlet hose from the non-return valve to the flushing pump inlet connection.
- For convenience of use, install an in-line non-return valve next to the inlet seacock which will ensure that the pump stays primed in between usages.

Discharge: 25 mm (1") or 38 mm (1½") hose

- As close as possible to the toilet, rise the discharge hose 20 cm above the base to retain water in the bowl. Make sure the outlet hose stays in this position.
- Connect discharge hose connection on the toilet to the seacock or holding tank.



Installation Electric Standard Toilets

Installation Electric Silent Toilets

Toilet below waterline or below holding tank

Inlet: 19 mm (¾") Vented Loop fitting

- The vented loop must be positioned in a way that its highest point is 20–50 cm (8–20") above the highest possible waterline
- Run the inlet hose by the most direct way from the inlet seacock, via the flush pump to

the vented loop; or, the most direct way from the pressurized water pipe in a centralized system.

- Run the inlet hose by the most direct way from the vented loop to toilet flushing pump inlet connection.

Discharge: 25 mm (1") or 38 mm (1½") Vented Loop fitting Mounting

- Arrange the discharge hose, so that its highest point is at least 20 cm (8") above the waterline or holding tank, and fit the vented loop at the highest point.
- Run the discharge hose from the toilet to the vented loop

- Run the discharge hose from the vented loop to the seacock or holding tank

Toilet above waterline or above holding tank

Inlet: 19 mm hose

- Run the inlet hose by the most direct route from the inlet seacock to a non-return valve; or, the most direct way from the pressurized water pipe in a centralized system..
- Run the inlet hose from the non-return valve to the flush pump

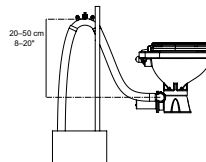
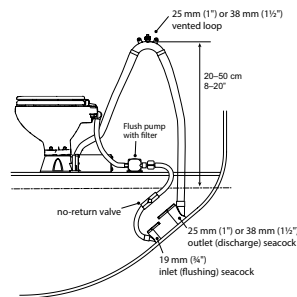
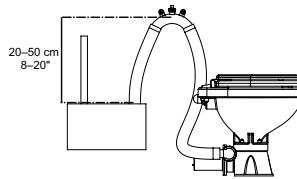
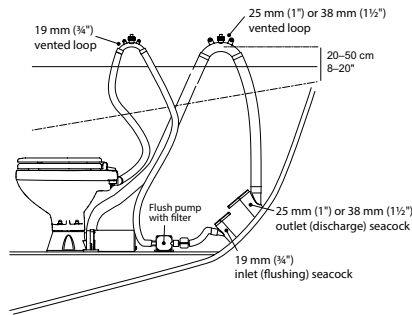
and then to the flushing pump inlet connection.

- For convenience of use, install an in-line non-return valve next to the inlet seacock which will ensure that the pump stays primed in between usages.

Discharge: 25 mm (1") or 38 mm (1½") hose

- Arrange the discharge hose, so that its highest point is 20–50 cm (8–20") above the waterline or holding tank, and fit the vented loop at the highest point.

- Run the discharge hose from the toilet to the vented loop
- Run the discharge hose from the vented loop to the seacock or holding tank.



Accessories / Spare Parts

Rely on original Albinus spare parts and accessories for your marine toilet systems

Compliment your marine toilets with conversion kits for improved operation, control panels for push-button operation, vented loops, solenoids, flush pump and Y-valve.

Standard Electric Toilet Conversion Kit

Converts your manual or silent electric toilet to a 12V/24V one cycle electric operated version.

Including all you need for a new assembly, also the one push electrical control panel.

SKU	Voltage	Connections	Weight
07-66-019	12V	Port connections inlet 19 mm (¾"), outlet 25 mm or 38 mm (1" or 1½")	2.4 Kg 6 lbs
07-66-020	24V		

Standard Electric EVO Toilet Conversion Kit

Converts your manual or silent electric toilet to a 12V/24V new EVO version. More silent with higher capacity than former Standard Electric models.

Including all you need for a new assembly, also the one push electrical control panel.

SKU	Voltage	Connections	Weight
07-92-050	12V	Port connections inlet 19 mm (¾"), outlet 25 mm or 38 mm (1" or 1½")	2.4 Kg 6 lbs
07-92-051	24V		

Silent Electric Toilet Conversion Kit

Converts your manual or standard electric toilet to a 12V/24V separated flushing and waste disposal cycle version.

Including all you need for a new assembly, also the electronic 3 function control panel. More silent and less water consumption. Water is from existing pressurized water system onboard with 12V solenoid valve (SKU 07-66-030) – 24V solenoid valve (SKU 07-66-031) or 12V flush pump (SKU 07-66-032) – 24V flush pump (SKU 07-66-033)- not included!

SKU	Voltage	Connections	Weight
07-66-021	12V	Port connections outlet 25 mm or 38 mm (1" or 1½")	2.1 Kg 6 lbs
07-66-022	24V		

Control Panel Standard Electric Toilet

The panel controls the combined rinse and discharge by a single button.

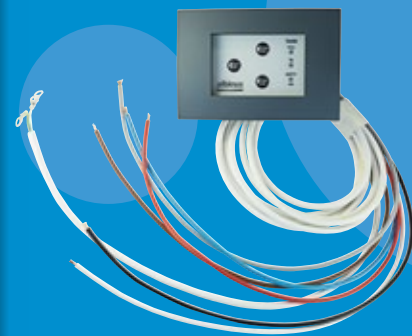
SKU	Voltage	Description
07-66-023	12V/24V	One push standard electric control panel



Digital Control Panel Silent Electric Toilet

Before use – after use – short use and trimmer to regulate the flow

SKU	Voltage	Description
07-66-024	12V/24V	Electronic 3 function control panel, before use, after use and short use plus a trimmer to regulate the flow rate



Control Panel Silent Electric Toilet Rocker Switch

The panel controls the rinse and the discharge, by two buttons.

Button 1, One function, discharge and rinse.

Button 2, Two functions, Rinse toilet OR discharge toilet

SKU	Voltage	Description
07-66-025	12V/24V	2 function rocker switch control panel for waste disposal and flushing



Control Panel ECO Flush Electric Toilet With Level Indicator

Electronic control system with ECO flush functionality and tank level indicator control integrated in panel.

Normal / Full Flush Button

5 seconds delivery approx. 5 liters (1.3 USG) of water

ECO Flush Button

2½ seconds delivery approx. 2.5 liters (0.66 USG) of water

SKU	Voltage	Description
07-66-026	12V/24V	Electronic control system with ECO flush functionality and tank level indicator control integrated in panel.



Vented Loop fittings

If the toilet is connected to any through-hull fitting and if the rim of the bowl falls below the waterline, for example during heavy seas, there is the risk of water flooding in, causing the boat to sink, which may result in loss of life. Therefore, if the rim of the toilet is less than 20 cm (8") above the waterline when the craft is at rest, or if there is any possibility that the rim of the bowl may be below the waterline at ANY time, **a vented loop MUST** be fitted in any pipework connected to a through-hull fitting, irrespective of whether inlet or discharge. **The loop must be vented to avoid the siphoning of water back into the boat through the toilet.**



Vented Loop 19

Vented loop for inlet

SKU	Description
07-66-027	19 mm (¾") air valve loop to prevent back siphoning for waste water systems



Vented Loop 25

Vented loop for outlet

SKU	Description
07-66-028	25 mm (1") air valve loop to prevent back siphoning for waste water systems.



Vented Loop 38

Vented loop for outlet

SKU	Description
07-66-029	38 mm (1½") air valve loop to prevent back siphoning for waste water systems.

Bronze Solenoid valve

To be used with pressurized fresh water systems

SKU	Voltage	Description
07-66-030	12V	Electric valve to be used with centralized, pressurized fresh water system. Internal pipe thread ½"
07-66-031	24V	



Flush Pump

Silent and robust 3-diaphragm flush pump to be used with any toilet with an external flush system.

- Perfect companion to Albinus Silent Electric and Premium marine toilets
- Can be run dry
- Strainer included
- Integrated safety by-pass valve 60 psi (4 bar)

SKU	Capacity	Voltage	Fuse	Ports	Dimensions
07-66-036	16 L/min (4.2 GPH) self-priming 2 m (6.5 ft)	12V	12 A	19 mm (¾") inner diameter hose	205x219x110 mm (8.1 x 8.6 x 4.3 inches)
07-66-037		24V	6 A		



Y-valve HD

Heavy Duty Y-valve for installation in waste discharge and bilge pump-out systems.

SKU	Description
07-66-034	Allows waste water to be diverted to tank or pump-out. Fitted with 38 mm (1½") ports and extra 25 mm (1") straight inlet port



Premium Solenoid valve 12V

To be used with pressurized fresh water systems

SKU	Voltage	Description
07-66-035	12V	Electric valve to be used with centralized, pressurized fresh water system. ½" and ¾" hose connections



Accessories / Spare Parts



page 94

Compact Seat

SKU	Description
07-99-035	Original wooden seat for Compact and Design toilet models

Compact Seat SC

SKU	Description
07-99-049	Original softclose thermoplastic seat for Compact and Design toilet models

Comfort Seat SC

SKU	Description
07-99-036	Original thermoplastic softclose seat for Comfort toilet models

Premium Seat SC

SKU	Description
07-99-037	Premium thermoset plastic soft close seat with stainless steel hinges

Luxury Premium Seat SC

SKU	Description
07-99-042	Premium white varnished wood soft close seat with stainless steel hinges; standard on Premium models, also fits Comfort models

Motor Standard Electric Toilet

SKU	Voltage	Description
07-99-038	12V	Replacement motor for the Standard Electric toilets
07-99-039	24V	

Motor Standard Electric EVO Toilet

SKU	Voltage	Description
07-92-052	12V	Replacement motor for the Standard Electric EVO toilets
07-92-053	24V	

Motor Group Silent Electric Toilet

SKU	Voltage	Description
07-99-040	12V	Replacement motor group for the Silent Electric toilets
07-99-041	24V	

Motor Group Design Standard Electric Toilet

SKU	Voltage	Description
07-99-071	12V	Replacement motor group for the Design Standard Electric toilets
07-99-072	24V	

Motor Premium/ Design Silent Electric

SKU	Voltage	Description
07-99-082	12V	Replacement motor for the Premium and Design Silent Electric toilets
07-99-083	24V	



Accessories / Spare Parts



Bowl Compact

SKU	Description
07-99-054	Ceramic bowl for all Compact models



Bowl Compact Low

SKU	Description
07-99-055	Ceramic bowl for all Compact Low models



Bowl Comfort

SKU	Description
07-99-056	Ceramic bowl for all Comfort models



Bowl Design

SKU	Description
07-99-067	Ceramic bowl for all Design models



Bowl Premium

SKU	Description
07-94-078	Ceramic bowl for all Premium Std. models



Bowl Premium Low

SKU	Description
07-94-081	Ceramic bowl for all PremiumLow models



Manual Plastic Base

SKU	Description
07-91-057	Base for Manual toilet models



Base Group Standard Electric

SKU	Description
07-99-047	Base group for Standard Electric toilets



Base Group Standard Electric EVO / Silent Electric

SKU	Description
07-99-063	Base group for Standard Electric EVO and Silent Electric toilets



Manual Toilet Pump

SKU	Description
07-66-018	Toilet pump and base kit for all manual toilets. Including all you need for a new assembly. Interchangeable with Jabsco and Johnson Pump manual toilet pumps



Gasket Kit Manual Pump

SKU	Description
07-91-059	Gasket kit for albinus manual toilets

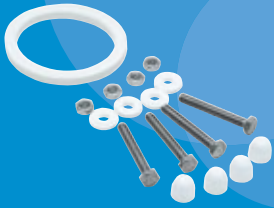


Intake Elbow 90°

SKU	Description
07-99-060	Intake elbow group 90° for all toilets



Accessories / Spare Parts



Manual Bowl Gasket/ Screws

SKU	Description
07-91-061	Gasket and screws for albinus manual toilets



Check valve

SKU	Description
07-91-062	Check valve for manual toilet manual pump



Macerator Group

SKU	Description
07-99-048	Flush pump group for Standard Electric / Design Standard Electric



Flush Pump Group Design Std. El.

SKU	Description
07-92-070	Flush pump group for Standard Electric / Design Standard Electric



Motor cover for EVO Marine Toilets

SKU	Description
07-92-071	Replacement cover for EVO Marine Toilet motor



Impeller Flush Pump

SKU	Description
07-99-073	Flush pump impeller for Standard Electric, Standard Electric EVO and Design Standard Electric



Gasket Kit Conversion Kit Std.

SKU	Description
07-99-086	Gasket kit Standard Electric

Outlet Elbow

SKU	Description
07-99-064	Outlet elbow group for Standard Electric EVO and Silent Electric toilets



Flush Pump Group EVO

SKU	Description
07-92-065	Flush pump group for Standard Electric EVO



Gasket Kit EVO

SKU	Description
07-92-066	Gasket Kit for Standard Electric EVO



Complete Gasket Kit Design / Premium

SKU	Description
07-99-068	Complete Gasket Kit for Design/Premium toilets



Inlet Pump Group Design / Premium

SKU	Description
07-99-069	Complete Inlet Pump Group for Design/Premium toilets



Accessories / Spare Parts



page 100

Outlet Elbow Electric / Design / Premium Low

SKU	Description
07-99-074	Outlet Elbow for Design / Premium toilets

Intake Design / Premium

SKU	Description
07-99-075	Intake for Design / Premium toilets

Outlet Elbow Kit For Premium Std

SKU	Description
07-99-084	Outlet Elbow for Premium toilets (standard height)

Outlet Hose Kit For Design Silent

SKU	Description
07-99-085	Outlet hose kit for Design Silent Electric toilets

Outlet Hose Kit For Silent Premium

SKU	Description
07-99-087	Outlet hose kit for Silent Premium Electric toilets

Outlet Hose Kit For Silent Premium Low

SKU	Description
07-94-092	Outlet hose kit for Silent Premium Low Electric toilets

Complete Pump Kit Design Standard Electric

SKU	Voltage	Description
07-99-088	12V	Complete pump kit for Design Standard Electric toilets
07-99-089	24V	



Complete Pump Kit Design Silent Electric

SKU	Voltage	Description
07-99-090	12V	Complete pump kit for Design Silent Electric toilets
07-99-091	24V	



Complete Pump Kit Silent Premium Electric Standard and Low

SKU	Voltage	Description
07-94-079	12V	Complete pump kit for Silent Premium Electric toilets and Silent Premium Low toilets
07-94-080	24V	



1" Straight Outlet Fitting

SKU	Description
07-99-092	1" Straight Outlet Fitting

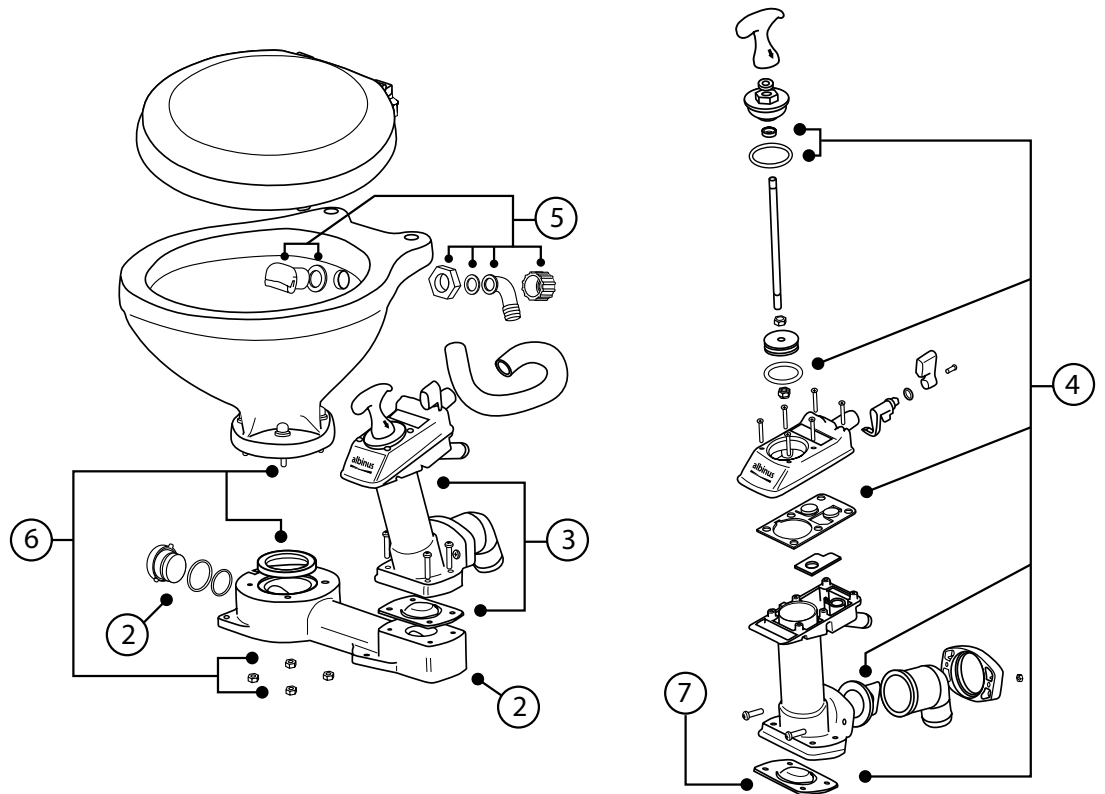


1½" Straight Outlet Fitting

SKU	Description
07-99-093	1½" Straight Outlet Fitting



Spare Parts Manual Marine Toilets



Common spares

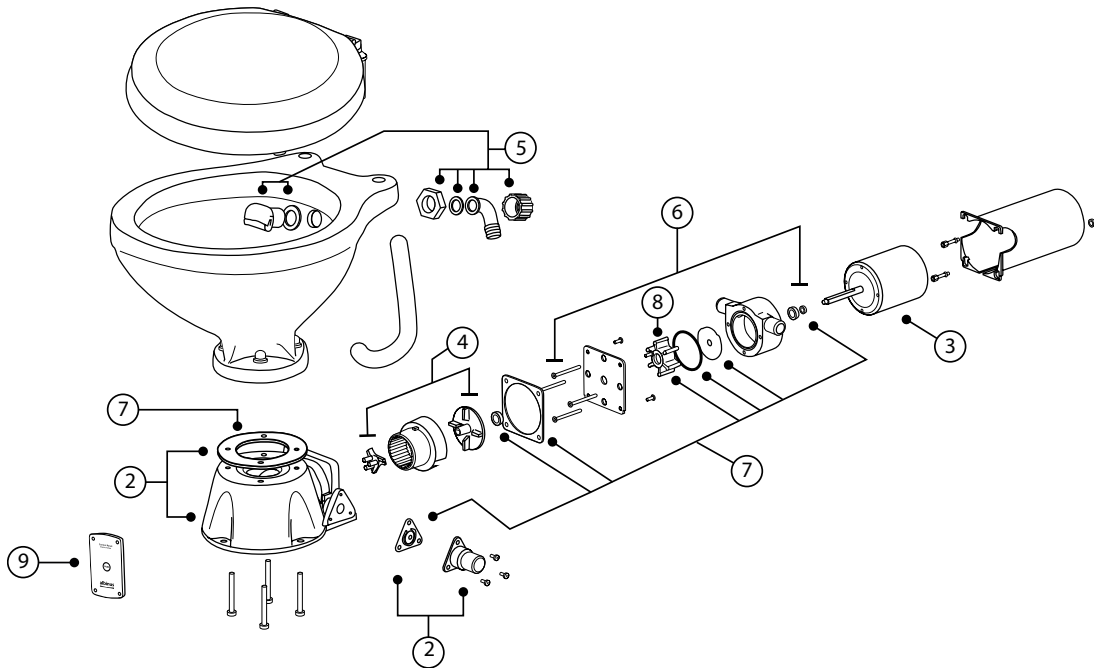
Albinus SKU	Pos.	Description
07-91-057	2	Plastic base
07-66-018	3	Manual pump with base gasket
07-91-059	4	Gasket kit manual pump
07-99-060	5	Intake elbow 90°
07-91-061	6	Bowls gasket/screws
07-91-062	7	Check valve

Model specific parts

Albinus SKU	Description
07-01-001	Manual Compact Toilet, complete
07-99-035	Compact Seat
07-01-002	Manual Comfort Toilet, complete
07-99-036	Comfort Seat
07-01-003	Manual Compact Low Toilet, complete
07-99-035	Compact Seat

Spare Parts Electric Standard Marine Toilets

Spare Parts Schematics

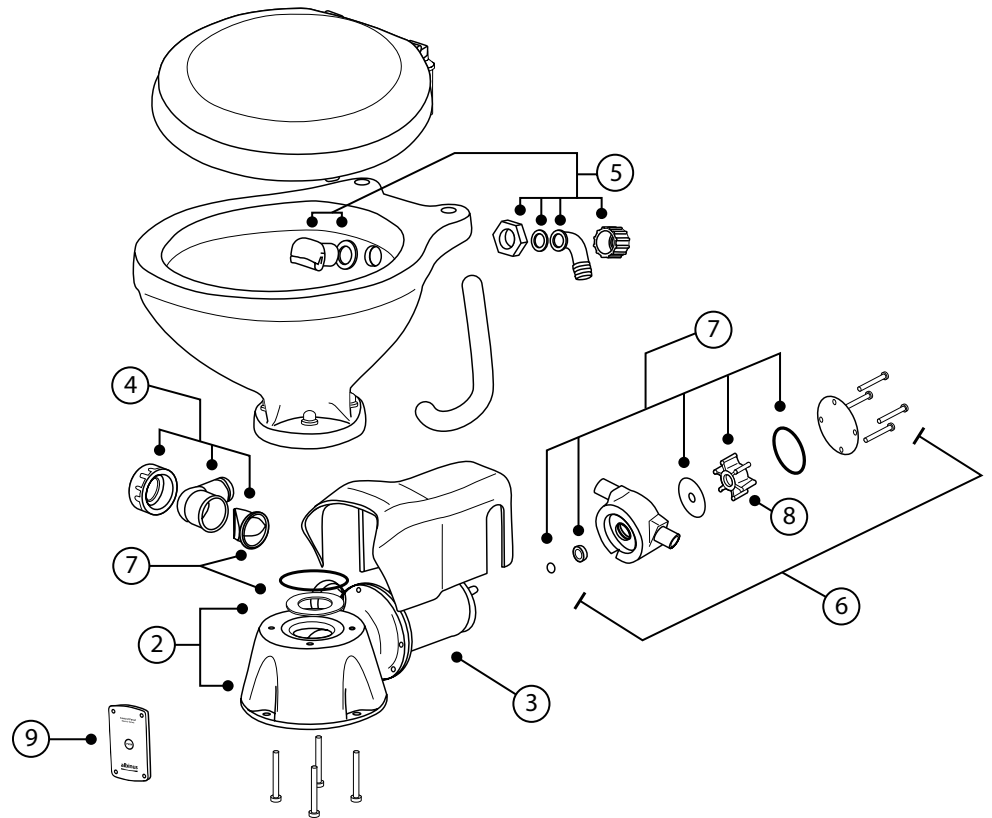


Common spares		
Albinus SKU	Pos.	Description
07-99-047	2	Base Group
07-99-038	3	Motor Standard Electric Toilet 12V
07-99-039	3	Motor Standard Electric Toilet 24V
07-99-048	4	Macerator Group
07-99-060	5	Intake Elbow
07-92-070	6	Flush Pump
07-99-086	7	Gasket Kit
07-99-073	8	Impeller Flush Pump
07-66-023	9	Control Panel Standard Electric Toilet
07-66-019		Standard Electric Conversion Kit 12V
07-66-020		Standard Electric Conversion Kit 24V

Model specific parts	
Albinus SKU	Description
07-32-004	Standard Electric Compact 12V, complete Bulk
07-32-005	Standard Electric Compact 24V, complete Bulk
07-99-035	Compact Seat
07-32-006	Standard Electric Comfort 12V, complete Bulk
07-32-007	Standard Electric Comfort 24V, complete Bulk
07-99-036	Comfort Seat

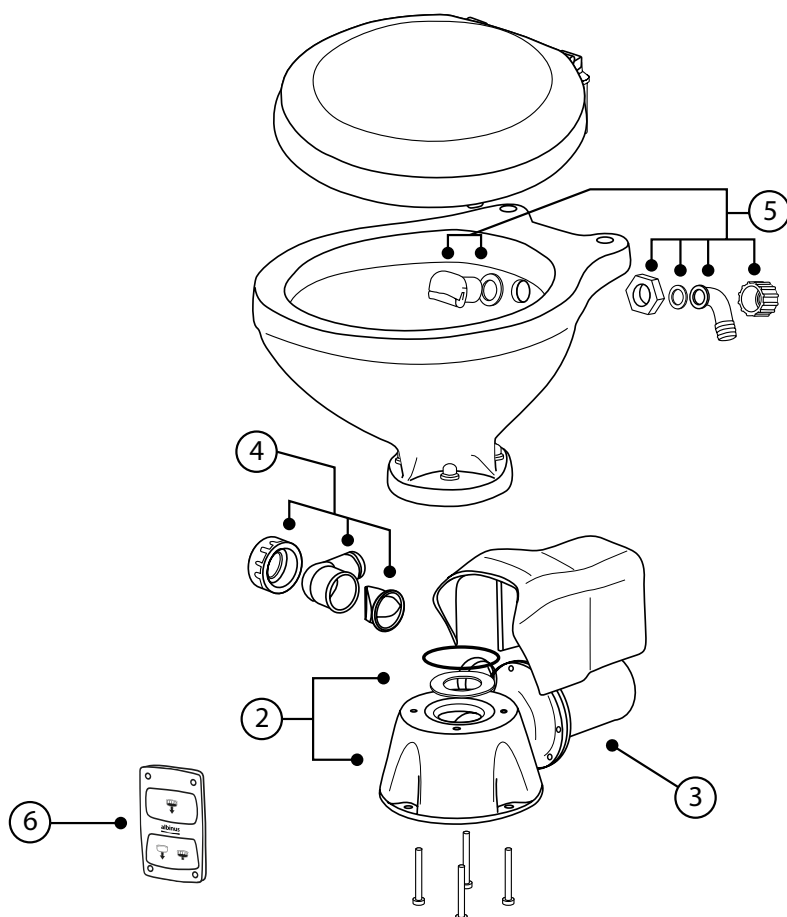
albinus[®]

Spare Parts Electric Standard EVO Marine Toilets



Common spares		
Albinus SKU	Pos.	Description
07-99-063	2	Base Group
07-92-052	3	MOTOR GROUP EVO 12V.
07-92-053	3	MOTOR GROUP EVO 24V.
07-99-064	4	Outlet Elbow
07-99-060	5	Intake Elbow
07-92-065	6	Flush Pump EVO
07-92-066	7	Gasket Kit EVO
07-99-073	8	Impeller Flush Pump
07-66-023	9	Control Panel Standard Electric Toilet
07-92-050		Standard Electric EVO Conversion Kit 12V
07-92-051		Standard Electric EVO Conversion Kit 24V

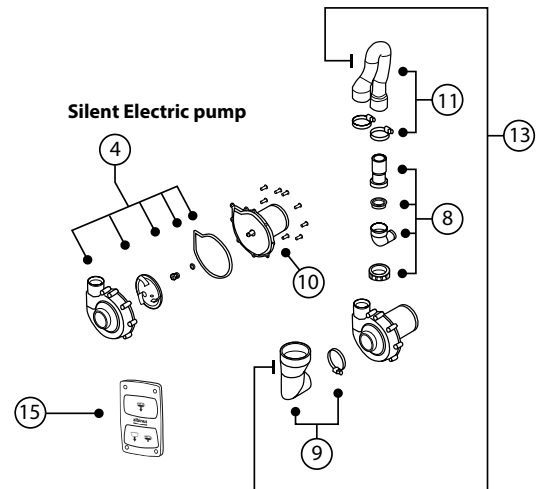
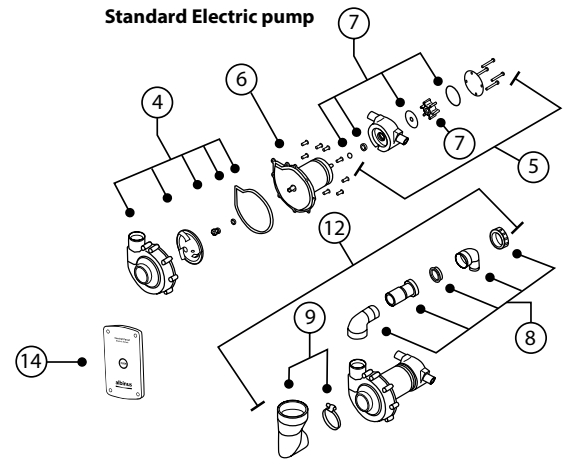
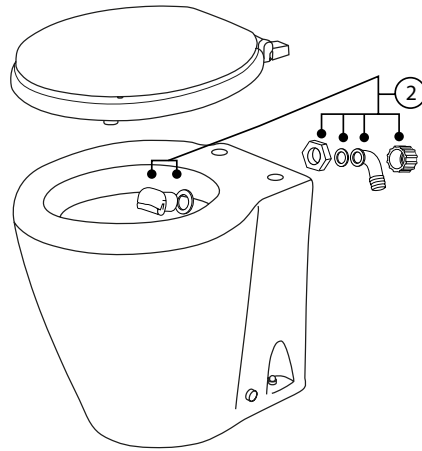
Model specific parts	
Albinus SKU	Description
07-02-004	Standard Electric Evo Compact 12V, complete
07-02-005	Standard Electric Evo Compact 24V, complete
07-99-035	Compact Seat
07-02-006	Standard Electric Evo Comfort 12V, complete
07-02-007	Standard Electric Evo Comfort 24V, complete
07-99-036	Comfort Seat
07-02-008	Standard Electric Evo Compact Low 12V, complete
07-02-009	Standard Electric Evo Compact Low 24V, complete
07-99-035	Compact Seat



Common spares		
Albinus SKU	Pos.	Description
07-99-063	2	Base Group
07-99-040	3	Motor Group Silent El. 12V
07-99-041	3	Motor Group Silent El. 24V
07-99-064	4	Outlet Elbow
07-99-060	5	Intake Elbow
07-66-025	6	Control Panel Silent Electric Toilet Rocker Switch
07-66-021		Silent Electric Conversion Kit 12V
07-66-022		Silent Electric Conversion Kit 24V

Model specific parts	
Albinus SKU	Description
07-03-010	Silent Electric Compact 12V, complete
07-03-011	Silent Electric Compact 24V, complete
07-99-035	Compact Seat
07-03-012	Silent Electric Comfort 12V, complete
07-03-013	Silent Electric Comfort 24V, complete
07-99-036	Comfort Seat

Spare Parts Standard / Silent Design Marine Toilets

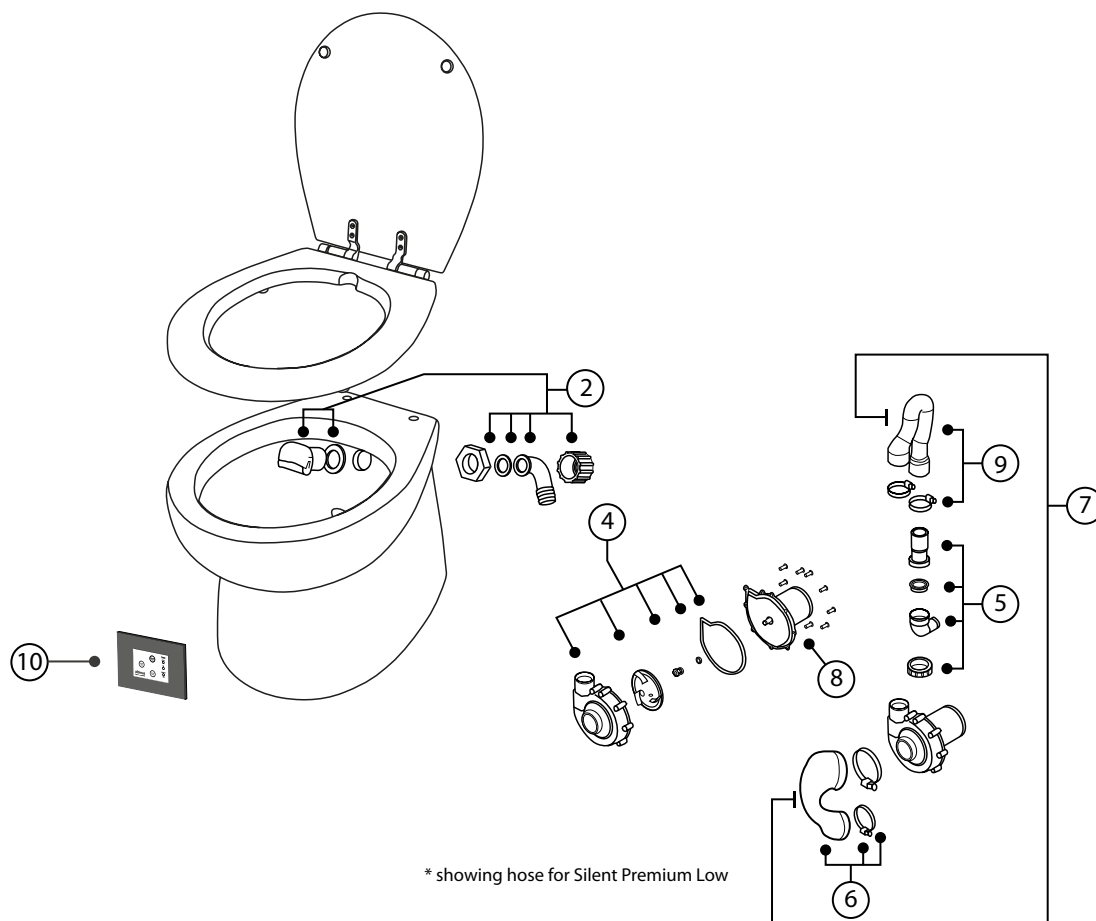


Common spares		
Albinus SKU	Pos.	Description
07-99-060	2	Intake Elbow 90°
07-99-068	all gaskets in 4, 7 and 8	Complete Gasket Kit Design/Premium
07-99-069	4	Inlet Pump Group Design/Premium
07-92-070	5	Flush Pump Group Design Std. El.
07-99-071	6	Motor Group Design Std. El. 12V
07-99-072	6	Motor Group Design Std. El. 24V
07-99-073	7	Impeller Flush Pump
07-99-074	8	Outlet Elbow Electric/Design/Premium Low
07-99-082	10	Motor Premium/ Design Silent 12V
07-99-083	10	Motor Premium/ Design Silent 24V
07-99-085	9 and 11	Outlet Hose Kit For Design Silent
07-99-088	12	Complete Pump Kit Design Std Electric 12V
07-99-089	12	Complete Pump Kit Design Std Electric 24V
07-99-090	13	Complete Pump Kit Design Silent Electric 12V
07-99-091	13	Complete Pump Kit Design Silent Electric 24V
07-66-023	14	Control Panel Standard Electric Toilet
07-66-025	15	Control Panel Silent Electric Toilet Rocker Switch

Model specific parts	
Albinus SKU	Description
07-02-043	Design Marine Toilet Standard Electric 12V, complete
07-02-044	Design Marine Toilet Standard Electric 24V, complete
07-99-035	Compact Seat
07-03-045	Design Marine Toilet Silent Electric 12V, complete
07-03-046	Design Marine Toilet Silent Electric 24V, complete
07-99-035	Compact Seat

Spare Parts Silent Premium Marine Toilets

Spare Parts Schematics



Common spares		
Albinus SKU	Pos.	Description
07-99-060	2	Intake Elbow 90°
07-99-068	all gaskets in 4 and 5	Complete Gasket Kit Design/Premium
07-99-069	4	Inlet Pump Group Design/ Premium
07-99-074	5	Outlet Elbow Electric/Design/Premium Low
07-94-079	7	Complete Pump Kit Premium 12V
07-94-080	7	Complete Pump Kit Premium 24V
07-99-082	8	Motor Premium/ Design Silent 12V
07-99-083	8	Motor Premium/ Design Silent 24V
07-99-084	5	Outlet Elbow Kit For Premium Std
07-99-087	6 and 9	Outlet Hose Kit For Silent Premium
07-94-092	6 and 9	Outlet Hose Kit For Silent Premium Low
07-66-024	10	Control Panel Silent Premium Electric Toilet

Model specific parts	
Albinus SKU	Description
07-04-014	Silent Premium 12V, complete
07-04-015	Silent Premium 24V, complete
07-99-042	Luxury Premium Seat SC
07-04-016	Silent Premium Low 12V, complete
07-04-017	Silent Premium Low 24V, complete
07-99-042	Luxury Premium Seat SC



8 Water Heaters

Our long experience in the marine sector has enabled us to develop a series of Stainless Steel Premium Water Heaters with innovative features compared to the market standard. The advantages that albinus water heaters offer are: stainless steel AISI 316L tank, high-quality materials ensuring durability and resistance over time, possibility of producing hot water even with the electric element, complete with adjustable and safety thermostat. All are designed for continuous use onboard vessels in demanding environments. 3 years limited warranty.

Stainless Steel Premium Water Heaters.....	109
Accessories / Spare Parts	110

albinus[®]

The Albinus Satinless Steel Premium Water Heaters are made of high-quality materials ensuring durability and resistance over time. Dual heating as standard - electrical heating and indirect heating based on an second heat source, for example based on the cooling system from the Marine engine or generator set.

- AISI 316L Stainless Steel tanks
- High-quality materials ensuring durability and resistance over time
- Heat exchanger with a large exchanging surface for indirect heating from e.g. engine cooling water
- Possibility of producing hot water even with the electric element, complete with adjustable and safety thermostat
- Incoloy corrosion-resistant alloy elements for electrical heating
- Relief/non-return valve that allows the water heater to drain the water when not in use
- Easy installation on a flat area
- 2 thermal release protections: minimum 60° – maximum 90°
- Flexible mounting brackets, thermostat and drain valve are included
- Designed for continuous use onboard vessels in demanding environments

SS Premium Water Heater 20 L

SKU	Power	Capacity	Voltage	Connections	Dimensions LxWxH	Weight empty
08-02-040	1200W	20 L (5.3 gal)	230V - 50 Hz	Fixed port connections BSP 1/2"	500 x 306 x 316 mm (19.7 x 12.1 x 12.4 in)	7.1 Kg (15.6 lbs)

SS Premium Water Heater 30 L

SKU	Power	Capacity	Voltage	Connections	Dimensions LxWxH	Weight empty
08-02-041	1200W	30 L (7.9 gal)	230V - 50 Hz	Fixed port connections BSP 1/2"	495 x 366 x 366 mm (19.5 x 14.4 x 14.4 in)	10.5 Kg (23.1 lbs)

SS Premium Water Heater 40 L

SKU	Power	Capacity	Voltage	Connections	Dimensions LxWxH	Weight empty
08-02-042	1200W	40 L (10.5 gal)	230V - 50 Hz	Fixed port connections BSP 1/2"	623 x 366 x 366 mm (24.4 x 14.4 x 14.4 in)	12 Kg (26.4 lbs)

SS Premium Water Heater 60 L

SKU	Power	Capacity	Voltage	Connections	Dimensions LxWxH	Weight empty
08-02-043	1200W	60 L (15.8 gal)	230V - 50 Hz	Fixed port connections BSP 1/2"	721 x 400 x 404 mm (28.4 x 15.8 x 15.9 in)	13.4 Kg (29.5 lbs)

SS Premium Water Heater 80 L

SKU	Power	Capacity	Voltage	Connections	Dimensions LxWxH	Weight empty
08-02-044	1200W	80 L (21.1 gal)	230V - 50 Hz	Fixed port connections BSP 1/2"	921 x 400 x 404 mm (36.5 x 15.8 x 15.9 in)	16.3 Kg (35.9 lbs)

Stainless Steel Premium Water Heaters



albinus[®]

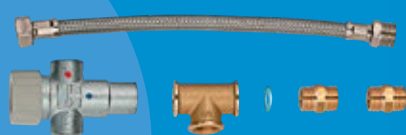
Accessories / Spare Parts

Complement your Water Heaters with Albinus Accessories and Spare Parts.

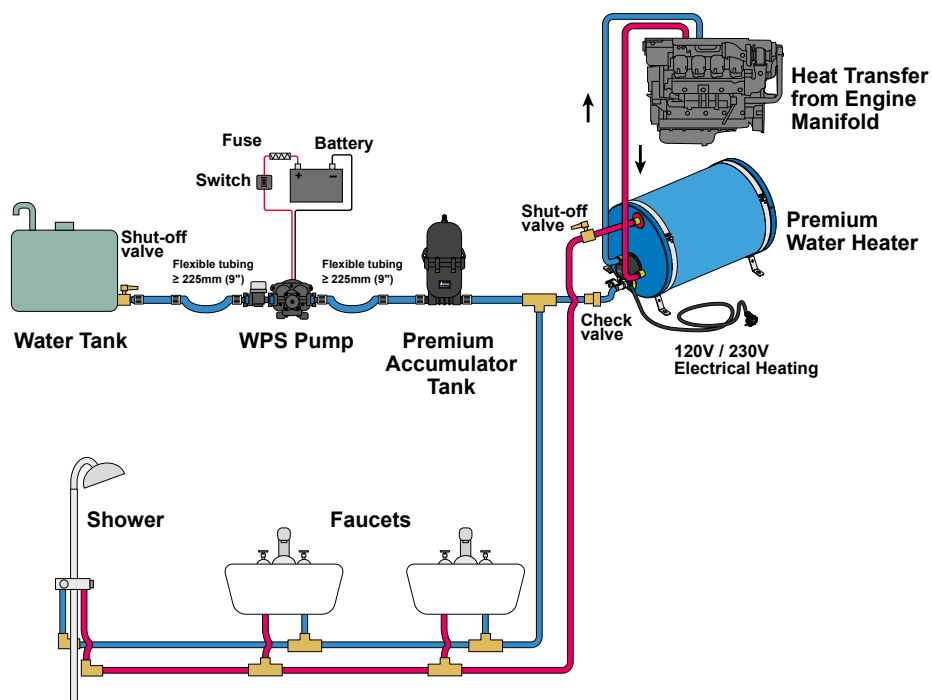
Mixing Kit SS Premium Water Heaters

Premium Mixer Kit, safe distribution of mixed warm water at exact temperatures.

- Allows you to not waste any hot water which saves water and energy



SKU	Description
08-62-053	OSP KIT Thermostatic Mixing Valve
08-62-054	OSP KIT Thermostatic Mixing Valve -NPT





9 Heaters and Defrosters

Our defrosters include heavy duty heating unit and high quality electrical components shielded by a stainless steel cover for long service life. As a kit, the defroster includes a high quality adjustable fan, a four step blower of high capacity, wiring harness and control panel. 3 years limited warranty for heating unit and 1 year for the fan motor.

- Pleasure Boat Defrosters..... 112
- Commercial Boat Defrosters 112
- Accessories 114



Heaters and Defrosters

Albinus defrosters include a heavy duty heating unit and high quality electrical components shielded by a stainless steel cover for long service life. For connection to engines with fresh water cooling system. Available as complete kits and heater units.

- As a kit, the defroster includes a high quality adjustable fan, a four step blower of high capacity, wiring harness and control panel

Pleasure Boat Defrosters

Marine Defroster 6 kW

Marine defroster/ heater with 6 kW heater coil and double radial blowers

Kit includes: 5 m (16 ft) Wiring harness, 4-step control panel and hose adapters



SKU	Heating capacity	Max. Rated Air flow	Voltage	Fuse size	Water connections	Dimensions W x H x D	Weight
09-01-035 (kit)	6 kW (20 500 BTU/h)	200 m ³ /h (118 ft ³ /min)	12V	15 A	16 mm (5/8") copper pipes with DIN 71550 bead Max. water pressure: 2.5 bar (36 psi)	440 x 136 x 220 mm (17.3 x 5.4 x 8.7 in)	5.5 kg (12.1 lbs.)
09-01-036 (kit)			24V	10 A			
09-01-037 (heater unit)			12V	15 A			
09-01-038 (heater unit)			24V	10 A			

Commercial Boat Defrosters

Premium Marine Defroster 9 kW

Marine defroster/ heater with 9 kW heater coil and double radial blowers

Kit includes: 5 m (16 ft) Wiring harness, 4-step control panel and hose adapters



SKU	Heating capacity	Max. Rated Air flow	Voltage	Fuse size	Water connections	Dimensions W x H x D	Weight
09-02-005 (kit)	9 kW (31 000 BTU/h)	350 m ³ /h (206 ft ³ /min)	12V	15 A	16 mm (5/8") copper pipes with DIN 71550 bead Max. water pressure: 2.5 bar (36 psi)	440 x 136 x 220 mm (17.3 x 5.4 x 8.7 in)	5.5 kg (12.1 lbs.)
09-02-006 (kit)			24V	10 A			
09-02-011 (heater unit)			12V	15 A			
09-02-012 (heater unit)			24V	10 A			

Heaters and Defrosters

Premium Marine Defroster 9 kW 6 outlets

Marine defroster/ heater with 9 kW heater coil, double radial blowers and 6 outlets

Kit includes: 5 m (16 ft) Wiring harness, 4-step control panel and hose adapters

SKU	Heating capacity	Max. Rated Air flow	Voltage	Fuse size	Water connections	Dimensions W x H x D	Weight
09-02-017 (kit)	9 kW (31 000 BTU/h)	350 m ³ /h (206 ft ³ /min)	12V	15 A	16 mm (5/8") copper pipes with DIN 71550 bead Max. water pressure: 2.5 bar (36 psi)	440 x 136 x 305 mm (17.3 x 5.4 x 12 in)	5.5 kg (12.1 lbs.)
09-02-018 (kit)			24V	10 A			
09-02-015 (heater unit)			12V	15 A			
09-02-016 (heater unit)			24V	10 A			



Premium Marine Defroster 12 kW

Marine defroster/ heater with 12 kW heater coil and double radial blowers

Kit includes: 5 m (16 ft) Wiring harness, 4-step control panel and hose adapters

SKU	Heating capacity	Max. Rated Air flow	Voltage	Fuse size	Water connections	Dimensions W x H x D	Weight
09-02-007 (kit)	12 kW (41 000 BTU/h)	680 m ³ /h (400 ft ³ /min)	12V	15 A	16 mm (5/8") copper pipes with DIN 71550 bead Max. water pressure: 2.5 bar (36 psi)	403 x 176 x 244 mm (15.9 x 6.9 x 9.6 in)	5.2 kg (11.5 lbs.)
09-02-008 (kit)			24V	10 A			
09-02-013 (heater unit)			12V	15 A			
09-02-014 (heater unit)			24V	10 A			



Complement your Heater Unit Defrosters with Albinus Control Panels.



Control Panel 4 kW, 6kW, 9 kW and 12 kW – 12V/24V

SKU	Description	Voltage
09-66-017	4-step control panel for 4 kW, 6 kW, 9 kW and 12 kW defroster / heater	12V / 24V



Wiring Harness Ext 12/24V 4/6/9kW 5M

SKU	Description
09-66-020	Wiring Harness Ext 12/24V 4/6/9kW 5M



Hose Adapters

SKU	Description
09-66-021	Adapter Hose D59.5 Plastic
09-66-024	Hose Adapter D59

Blind Cover D90

SKU	Description
09-66-025	Blind cover for Defroster outlet D90.



10 Ventilation Blowers

Air blowers cover a wide range of ventilation needs and are suitable for almost any installation situation. Engine compartment air extraction prior to start-up, bilge ventilation, galleys or any other compartment. In-line, flange or flex mount compact design with motor integrated in center of blower. Double ball bearings with a high impact thermoplastic body and solid durable assembly surfaces. 1 year limited warranty.

Radial Ventilation Blowers.....	116
Flange-mounted Blowers	116
Flex-mounted Blowers.....	116
In-Line Blowers.....	118

albinus[®]

Radial Ventilation Blowers



Radial blower for marine ventilation for engine compartment air extraction prior to start-up, bilge ventilation, galleys or any other compartment.

- Flange or flex mount
- Compact design with motor integrated in center of blower
- Double ball bearings
- High impact thermoplastic PA6 highly durable white Nylon body
- Solid, durable assembly surfaces

Marine Air Blower 280 Flange

SKU	Type	Capacity	Voltage	Fuse size	Connections		Dimensions HxWxL	Interchangeable with*
					Inlet	Outlet		
10-02-001	3" Flange mounted radial blower	280 m ³ /h (163 ft ³ /min)	12V	5 A	Ø 75 mm (3")	92 x 80 mm (3.6 x 3.2 in)	200 x 165 x 195 mm (7.9 x 6.5 x 7.7 in)	Johnson Pump 80-47416-01 Jabsco 34739-0010
10-02-002			24V					JP 80-47416-02 Jabsco 50880-1100

Marine Air Blower 500 Flange

SKU	Type	Capacity	Voltage	Fuse size	Connections		Dimensions HxWxL	Interchangeable with*
					Inlet	Outlet		
10-02-003	4" Flange mounted radial blower	500 m ³ /h (324 ft ³ /min)	12V	15 A	Ø 100 mm (4")	146 x 118 mm (5.8 x 4.7 in)	290 x 257 x 150 mm (11.4 x 10.1 x 5.9 in)	Johnson Pump 80-47417-01 Jabsco 35760-0092
10-02-004			24V	10 A				Johnson Pump 80-47417-02 Jabsco 35760-0094

Marine Air Blower 750 Flange

SKU	Type	Capacity	Voltage	Fuse size	Connections		Dimensions HxWxL	Interchangeable with*
					Inlet	Outlet		
10-02-005	6" Flange mounted radial blower	750 m ³ /h (441 ft ³ /min)	12V	20 A	Ø 150 mm (6")	146 x 118 mm (5.8 x 4.7 in)	290 x 257 x 170 mm (11.4 x 10.1 x 6.7 in)	Johnson Pump 80-47418-01
10-02-006			24V	15 A				Johnson Pump 80-47418-02

Marine Air Blower 1000 Flange

SKU	Type	Capacity	Voltage	Fuse size	Connections		Dimensions HxWxL	Interchangeable with*
					Inlet	Outlet		
10-02-021	6" Flange mounted radial blower	1000 m ³ /h (589 ft ³ /min)	24V	20 A	Ø 150 mm (6")	Ø 103 mm (4.1 in)	290 x 257 x 180 mm (11.4 x 10.1 x 6.7 in)	Johnson Pump 80-47419-02

Marine Air Blower 500 Flex

SKU	Type	Capacity	Voltage	Fuse size	Connections		Dimensions HxWxL	Interchangeable with*
					Inlet	Outlet		
10-03-007	4" Flex mounted radial blower	500 m ³ /h (324 ft ³ /min)	12V	15 A	Ø 100 mm (4")	Ø 103 mm (4.1 in)	290 x 257 x 150 mm (11.4 x 10.1 x 5.9 in)	Johnson Pump 80-47420-01 Jabsco 35770-0092
10-03-008			24V	10 A				Johnson Pump 80-47420-02 Jabsco 35770-0094

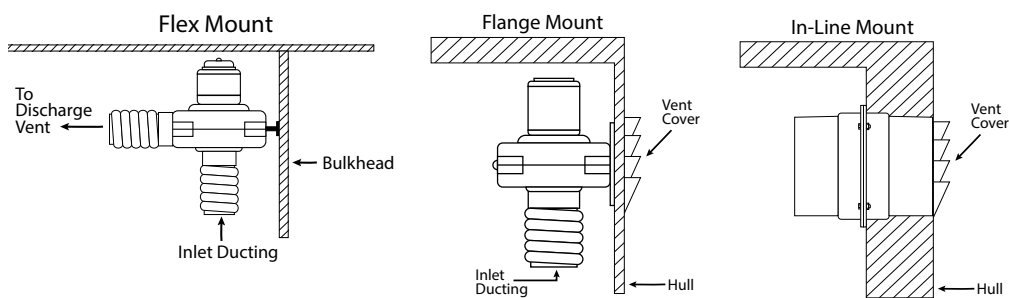
Radial Ventilation Blowers

Marine Air Blower 750 Flex

SKU	Type	Capacity	Voltage	Fuse size	Connections		Dimensions H x W x L	Interchangeable with*
					Inlet	Outlet		
10-03-009	6" Flex mounted radial blower	750 m ³ /h (441 ft ³ /min)	12V	20A	Ø 150 mm (6")	Ø 103 mm (4.1 in)	290 x 257 x 170 mm (11.4 x 10.1 x 6.7 in)	Johnson Pump 80-47421-01
10-03-010			24V	15A				Johnson Pump 80-47421-02

Marine Air Blower 1000 Flex

SKU	Type	Capacity	Voltage	Fuse size	Connections		Dimensions H x W x L	Interchangeable with*
					Inlet	Outlet		
10-03-022	6" Flex mounted radial blower	1000 m ³ /h (589 ft ³ /min)	24V	20A	Ø 150 mm (6")	Ø 103 mm (4.1 in)	290 x 257 x 180 mm (11.4 x 10.1 x 7.1 in)	Johnson Pump 80-47422-02



albinus[®]

Flex-mounted
In-Line-mounted

In-Line Ventilation Blowers

In-Line mounted axial blower for marine ventilation for engine compartment air extraction prior to start-up, bilge ventilation, galleys or any other compartment.

- In-Line mounted
- Compact design with motor integrated in center of blower
- Advanced five blade design for maximum flow and performance
- Sheltered blades from blower housing interference at tough installation
- Quiet operation and low power consumption
- Long motor service life from powerful airflow cooling
- For continuous duty

Marine Air Blower 1000 Inline 250

SKU	Type	Capacity	Voltage	Fuse size	Connections	Dimensions HxWxL	Interchangeable with*
10-01-011	7" In-Line mounted, axial flow blower through-bulkhead installation	1000 m ³ /h (589 ft ³ /min)	12V	7 A	178 mm (7 in) hose	250 x 220 x 178 mm (9.8 x 8.7 x 7 in)	Vetus 17812A
10-01-012			24V	3.5 A			Vetus 17824A

Marine Air Blower 1000 Inline 165

SKU	Type	Capacity	Voltage	Fuse size	Connections	Dimensions HxWxL
10-01-013	7" In-Line mounted, axial flow blower through-bulkhead installation	1000 m ³ /h (589 ft ³ /min)	12V	7 A	178 mm (7 in) hose	165 x 220 x 178 mm (6.5 x 8.7 x 7 in)
10-01-014			24V	3.5 A		

Marine Air Blower 750 Inline 250

SKU	Type	Capacity	Voltage	Fuse size	Connections	Dimensions HxWxL	Interchangeable with*
10-01-019	7" In-Line mounted, axial flow blower through-bulkhead installation	750 m ³ /h (441 ft ³ /min)	12V	7 A	178 mm (7 in) hose	250 x 220 x 178 mm (9.8 x 8.7 x 7 in)	Vetus Vent17812A
10-01-020			24V	3.5 A			Vetus Vent17824A

Marine Air Blower 750 Inline 165

SKU	Type	Capacity	Voltage	Fuse size	Connections	Dimensions HxWxL
10-01-017	7" In-Line mounted, axial flow blower through-bulkhead installation	750 m ³ /h (441 ft ³ /min)	12V	7 A	178 mm (7 in) hose	165 x 220 x 178 mm (6.5 x 8.7 x 7 in)
10-01-018			24V	3.5 A		



11 Pump Water Treatment

Albinus offers a tailored selection of proven environmentally friendly additives to your pump waters: cleansers and fresheners for your freshwater and wastewater holding tanks. Water treatment products for optimal functionality and comfort onboard. For extended lifetime of pumps, pump solutions and reliable, trouble-free operation. Suitable for vehicles or boats with holding tanks and pump systems onboard.

Freshwater Purification Continual / Routine use	120
Toilet System Treatment Continual / Routine use	121
Holding Tank Treatment Intermittent / Seasonal use ...	123

albinus[®]

Freshwater Purification

Continual / Routine use



For the conservation and long term storage of potable and non-potable water; for Continual / Routine use as a preventative measure. ONLY TO BE USED BY CAREFULLY FOLLOWING THE INSTRUCTIONS WITH FRESH POTABLE WATER.

Fresh Water Purification Liquid - No Chlorine

For conservation and long term storage of up to 1 000 L potable and non-potable water.

- Odourless and tasteless, based on silver
- Will keep water protected against contamination for up to six months

SKU	Description	Capacity	Usage
12-01-001-EN / SE*	100 ml bottle concentrated liquid fresh water purification	good for 1000 L (264 USgal)water	Continual / Routine useage

* label with English text / English + Swedish tex

Fresh Water Purification Powder - No Chlorine

For conservation and long term storage of up to 10000 L potable and non-potable water.

- Odourless and tasteless, based on silver
- Will keep water protected against contamination for up to six months

SKU	Description	Capacity	Usage
12-01-002-EN / SE*	100 g bottle concentrated powder fresh water purification	good for 10000 L (2640 USgal)water	Continual / Routine useage

* label with English text / English + Swedish tex

Fresh Water Purification Tablets - No Chlorine

For conservation and long term storage of up to 2000 L potable and non-potable water.

- Odourless and tasteless, based on silver
- Will keep water protected against contamination for up to six months

SKU	Description	Capacity	Usage
12-01-003-EN / SE*	100 tablet bottle concentrated tablet form fresh water purification	good for 2000 L (528 USgal)water	Continual / Routine useage

* label with English text / English + Swedish tex

Toilet System Treatment

Continual / Routine use

For cleaning, preventing and minimizing odors from boat toilets / septic tanks; for Continual / Routine use as a preventative measure. Dissolves urin scale and other hard deposits in the septic tank and pumbing. Clears and prevents blockages in the toilet system. Helps to breakdown solid waste material. Fresh scent. ONLY TO BE USED WITH WASTE WATER.

In-line Marine Toilet Cleaning System

Installs In-Line between flush water pump and bowl, providing cleansing action with every flush. Good for 1000 flushes.

- Continuously cleans and prevents odors from bowl, lines
- Pleasant scent with every flush
- Helps to breakdown solid waste material

SKU	Description	Capacity	Usage
12-03-008-EN / SE*	In-Line system that cleanses, deodorizes with every flush, 100ml bottle	good for 1000 flushes	Continual / Routine useage

* label with English text / English + Swedish tex



Replacement Cartridge In-line Toilet Cleaning System

Replacement cartridge for In-Line Toilet Cleaning System. Simply unscrew the empty cartridge and screw in the replacement cartridge. Good for 1000 flushes.

- Continuously cleans and prevents odors from bowl, lines
- Pleasant scent with every flush
- Helps to breakdown solid waste material

SKU	Description	Capacity	Usage
12-93-015-EN / SE*	Replacement cartridge for In-Line system that cleanses, deodorizes with every flush, 100ml bottle	good for 1000 flushes	Continual / Routine useage

* label with English text / English + Swedish tex



Marine Toilet System Treatment Bio 1 L

Specially developed to remove hard deposits in toilet systems on pleasure boats with suction emptying and for preventative mainanence, as well as trouble-free operation. Does not affect the beneficial bacteria in the system. Environmentally friendly and biodegradable. Not harmful to metals, plastics or rubber

- Effectivly cleans your septic tank
- Dissolves urin scale and other hard deposits in the septic tank and pumbing
- Clears and prevents blockages in the toilet system

SKU	Description	Volume	Usage
12-03-009-EN / SE*	Septic tank cleaner, clearing of bockages	1 Liter (1.1 qt)	Continual / Routine useage

* label with English text / English + Swedish tex



Marine Toilet System Treatment Bio 4 L

Specially developed to remove hard deposits in toilet systems on pleasure boats with suction emptying and for preventative mainanence, as well as trouble-free operation. Does not affect the beneficial bacteria in the system. Environmentally friendly and biodegradable. Not harmful to metals, plastics or rubber

- Effectivly cleans your septic tank
- Dissolves urin scale and other hard deposits in the septic tank and pumbing
- Clears and prevents blockages in the toilet system

SKU	Description	Volume	Usage
12-03-010-EN / SE*	Septic tank cleaner, clearing of bockages	4 Liter (4.2 qt)	Continual / Routine useage

* label with English text / English + Swedish tex



albinus[®]

Toilet System Treatment

Continual/Routine use



Marine Toilet Fresh Aura Liquid Bio 1 L

Specially developed to minimize odor from the septic tank in recreational boats.

- Developed for boats, but also suitable for summer cottages, motorhomes and caravans
- Environmentally friendly special liquid that cleans, prevents and minimizes bad smells in sanitary systems
- Mild and pleasant scent
- Biodegradable
- Will not harm metals, plastics or rubber

SKU	Description	Volume	Usage
12-03-011-EN/SE*	Septic tank cleaner, deodorizer	1 Liter (1.1 qt)	Continual/Routine useage

* label with English text / English + Swedish tex



Marine Toilet Fresh Aura Liquid Bio 4 L

Specially developed to minimize odor from the septic tank in recreational boats.

- Developed for boats, but also suitable for summer cottages, motorhomes and caravans
- Environmentally friendly special liquid that cleans, prevents and minimizes bad smells in sanitary systems
- Mild and pleasant scent
- Biodegradable
- Will not harm metals, plastics or rubber

SKU	Description	Volume	Usage
12-03-012-EN/SE*	Septic tank cleaner, deodorizer	4 Liter (4.2 qt)	Continual/Routine useage

* label with English text / English + Swedish tex



Marine Toilet Cleaner

- Disinfects septic tanks, preventing foul smells
- Decomposes waste, toilet paper
- Concentrated for sanitizing septic tanks to 500 L (132 USgal)

SKU	Description	Capacity	Usage
12-03-005-EN/SE*	Septic tank cleaner, disinfectant – preventing odors, breaks down organic waste; 500 ml dosing bottle	sanitizes septic tanks up to 500 L (132 USgal)	Continual/Routine useage

* label with English text / English + Swedish tex

Holding Tank Treatment

Intermittent / Seasonal use

For cleaning waste water tanks and systems or fresh water tanks and systems. Eliminates unpleasant odour. Removes most kinds of deposits. Decomposes waste, toilet paper. For Intermittent / Seasonal use to maintain the system / beginning – end of season.

Freshwater tanks and systems

Water Tank Cleaner -No Chlorine

ONLY TO BE USED FOR SEASONAL CLEANING OF FRESH WATER TANKS.

Intermittent / seasonal freshwater tank treatment. Should always be used at the beginning / end of the season, or as needed.

- Cleans water tanks, pipes, pumps and hoses
- Removes deposits and other impurities
- Odorless and tasteless
- Will not harm metals, plastics or rubber

SKU	Description	Capacity	Usage
12-02-004-EN / SE*	Seasonal water tank / system cleaner, 500 ml bottle	Sufficient for 160 L (42 USgal) tank capacity	Intermittent / Seasonal usage

* label with English text / English + Swedish text



Wastewater tanks and systems

Marine Toilet System Reset Powder

ONLY TO BE USED FOR SEASONAL CLEANING OF WASTE WATER TANKS.

Intermittent / seasonal wastewater tank treatment. Should always be used at the beginning / end of the season, or as needed.

- Cleans waste water tanks, pipes and hoses
- Automatically removes most types of deposits and eliminates unpleasant odors
- Highly effective concentrate

SKU	Description	Capacity	Usage
12-03-013-EN / SE*	Seasonal waste tank / system cleaner, 500 g bottle	Sufficient for 100 L (26.4 USgal) tank capacity	Intermittent / Seasonal usage

* label with English text / English + Swedish text





12 Circulation Pumps

Albin Group's a series of DC-driven Circulation Pumps are designed for circulation of water/antifreeze in heating or cooling systems on boats, buses, motorhomes. and commercial vehicles.

DC driven Circulation Pumps with Brushless Motor..... 125

albinus[®]

12V or 24V DC driven Circulation Pumps with Brushless Motor. Pumps for the circulation of water/antifreeze in heating or cooling systems on boats, buses, motor homes and commercial vehicles.

- Small size with high efficiency, maintenance-free
- Ceramic Shaft and Carbon fiber sleeve
- Completely water proof (IP68)
- Brushless DC control, long service life.
- Motor Brushless magnetic isolated design
- For Continuous Duty
- Life span 20 000 hours
- Materials of pump housing ABS, PES/SPS/PA66
- Noise class 35dB
- Max. Liquid Temp.: Continuous Duty + 80°C, Intermittent + 100°C.

BL10CM 12V/24V

SKU	Type	Voltage	Capacity at 0.1 bar	Capacity at 0.25 bar	Max. Power Consumption	Port size	Dimensions HxWxL	Weight
13-01-005	DC driven Circulation Pumps with Brushless Motor	12V	19 l/min 301 GPH	16 l/min 254 GPH	25W	14 mm (5/8")	76x68x89mm (3.0x2.7x3.5 in)	0.2 kg 0.44 lb
13-01-006		24V	21 l/min 333 GPH	18 l/min 285 GPH	40W			

BL30CM 12V/24V

SKU	Type	Voltage	Capacity at 0.1 bar	Capacity at 0.25 bar	Max. Power Consumption	Port size	Dimensions HxWxL	Weight
13-01-001	DC driven Circulation Pumps with Brushless Motor	12V	32 l/min 507 GPH	28 l/min 444 GPH	54W	20 mm (3/4")	99x83x113 mm (3.9x3.3x4.5 in)	0.48 kg 1.1 lb
13-01-002		24V	38 l/min 602 GPH	36 l/min 571 GPH	80W			

BL90CM 12V/24V

SKU	Type	Voltage	Capacity at 0.1 bar	Capacity at 0.25 bar	Max. Power Consumption	Port size	Dimensions HxWxL	Weight
13-01-003	DC driven Circulation Pumps with Brushless Motor	12V	51 l/min 808 GPH	47 l/min 745 GPH	80W	20 mm (3/4")	110x88x152 mm (4.3x3.5x6 in)	0.89 kg 2 lb
13-01-004		24V	61 l/min 967 GPH	57 l/min 903 GPH	120W			

BL110CM 12V/24V

SKU	Type	Voltage	Capacity at 0.1 bar	Capacity at 0.25 bar	Max. Power Consumption	Port size	Dimensions HxWxL	Weight
13-01-007	DC driven Circulation Pumps with Brushless Motor	12V	97.5 l/min 1545 GPH	77.5 l/min 1228 GPH	80W	38 mm (1 1/2")	136x100x185 mm (5.4x3.9x7.3 in)	2.1 kg 4.6 lb
13-01-008		24V	124.5 l/min 1973 GPH	110.5 l/min 1751 GPH	150W			

BL130CM 12V/24V

SKU	Type	Voltage	Capacity at 0.1 bar	Capacity at 0.25 bar	Max. Power Consumption	Port size	Dimensions HxWxL	Weight
13-01-009	DC driven Circulation Pumps with Brushless Motor	12V	183 l/min 2901 GPH	154 l/min 2441 GPH	100W	38 mm (1 1/2")	162x129x220 mm (6.4x5.1x8.7 in)	3.2 kg 7.1 lb
13-01-010		24V	210 l/min 3329 GPH	185 l/min 2932 GPH	200W			

DC driven Circulation Pumps with Brushless Motor





13 Pump Out

Albin Group Marine offers, through its Albinex brand, a range of solutions for allowing marinas and boat owners to more easily comply with National and International legislation regulating sewage emissions from pleasure boats along the coastal waterways and inland lakes and rivers. Albinex complete Pump Out Stations and Pump Out Kits provide efficient and easy to use solutions for keeping our waterways clean.

Pump Out Stations.....	127
Pump Out Station Kits	128
Spare Parts	129

albinex[®]

Pump Out Stations

Pump-out station for permanent installation in harbors, marinas, or where discharging of holding tanks by pumping out is needed. For further transport to municipal sewage system or storage/ large holding tank.

- Complete discharge pump of Self-priming Flexible Impeller type or peristaltic type, developed by Albinex for discharging holding tanks.
- Integrated vacuum switch for automatic switch off of pump when the holding tank of the vessel is empty.
- Integrated electrical connected control box with wiring to control panel, pump and vacuum switch.
- Protective housing of sheet metal Magnelis for extreme corrosion resistance
- Complete 7 m (23 ft) suction hose, with hose connection ports
- 1-phase or 3-phase electric motors
- 150 L / min capacity; empties typical boat sewage tank in maximum 40 seconds

Septic 200 Magnelis, Pump- Out Station FIP 400V

SKU	Pump Type	Capacity	Voltage	Motor	Fuse	av. Amp draw	Dimensions H x W x L	Weight
11-01-001	Flexible Impeller	150 L / min (40 GPM)	400V	3-phase, 400V, 1.5 kW, 50 Hz	8 A	5 A	900 x 660 x 1000 mm (36 x 26 x 40 in)	74.5 kg 165 lbs

Septic 200 Magnelis, Pump- Out Station FIP 240V

SKU	Pump Type	Capacity	Voltage	Motor	Fuse	av. Amp draw	Dimensions H x W x L	Weight
11-01-002	Flexible Impeller	150 L / min (40 GPM)	240V	1-phase, 240V, 2.2 kW, 50 Hz	20 A	12 A	900 x 660 x 1000 mm (36 x 26 x 40 in)	74.5 kg 165 lbs

Septic 200 Magnelis, Pump- Out Station FIP 120V

SKU	Pump Type	Capacity	Voltage	Motor	Fuse	av. Amp draw	Dimensions H x W x L	Weight
11-01-004	Flexible Impeller	25 L / min (6.6 GPM)	120V	1-phase, 120V, 2.2 kW, 60 Hz	16 A	12 A	900 x 660 x 1000 mm (36 x 26 x 40 in)	74.5 kg 165 lbs



Pump Out Station Kits

Complete Pump-Out Station Kit for mounting indoors in available space in harbors, marinas, or where discharging of holding tanks by pumping out is needed. For further transport to municipal sewerage system or storage/ large holding tank.

- Pump-Out kit including 400V / 240V pump complete, control box, 4m cable and 7 m Pump-Out hose kit
- Complete discharge pump of Self-priming Flexible Impeller type or peristaltic type, developed by Albinex for discharging holding tanks
- Integrated vacuum switch for automatic switch off of pump when the holding tank of the vessel is empty
- Integrated electrical connected control box with wiring to control panel, pump and vacuum switch
- Mounted on stainless steel frame for indoor mounting
- Complete 7 m (23ft) suction hose, with hose connection ports
- 1-phase or 3-phase electric motors
- 150 L/ min capacity; empties typical boat sewage tank in maximum 40 seconds

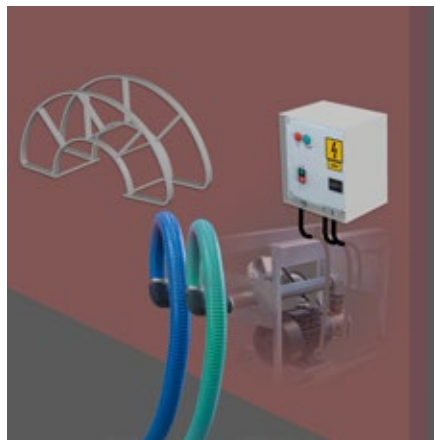


Pump-Out Pump Assy & Control Kit FIP 240V

SKU	Pump Type	Capacity	Voltage	Motor	Fuse	av. Amp draw	Dimensions HxWxL	Weight
11-02-016	Flexible Impeller	150L/min (40 GPM)	240V	1-phase, 240V, 2.2 kW, 50Hz	20 A	12 A	500x345x600 mm (20x14x24 in)	69 kg 152 lbs

Pump-Out Pump Assy & Control Kit FIP 400V

SKU	Pump Type	Capacity	Voltage	Motor	Fuse	av. Amp draw	Dimensions HxWxL	Weight
11-02-017	Flexible Impeller	150L/min (40 GPM)	400V	3-phase, 400V, 1.5 kW, 50 Hz	8 A	5 A	500x345x600 mm (20x14x24 in)	69 kg 152 lbs



Pump-Out Kit installed indoors, in an available building, or in its own designated enclosure

Rubber Cone

SKU	Description
11-99-004	Replacement hose cone for ISO/DIS 8099.3 or ISO 4567 compliable deckfittings



Hose Cone Connection Handle with Valve

SKU	Description
11-99-005	Hose cone connection handle with shut-off valve; 1/4" and 1/2" inner diameter hose (32 mm and 38 mm)



Hose Connection Port

SKU	Description
11-99-006	Hose connection port for connecting hose to Pump Out Station; 1/4" and 1/2" inner diameter hose (32 mm and 38 mm)





Pumpout Sign

SKU	Description
11-99-007	Replacement sign for marking the Pump Out Station



FIP 40 MA40-BSP1½"- Flange IEC 90-w/o motor

SKU	Impeller	Technical data	
05-03-032	Double flat Neoprene 06-05-038	Recommended motor:	1.1 kW, 1400 rpm. Single phase motor 230V must be equipped with start and drive capacitor.
		Max. Capacity:	188 L / min (49.7 US GPM)
		Max. Pressure:	2.5 Bar (36 psi)
		Max. Suction lift:	5 m (16.4ft)

Premium Spare Parts Kit for the FIP 40 discharge pump

SKU	Description
05-93-032	Premium Spare Parts Kit for the FIP 40 discharge pump; includes Impeller replacement kit, wear parts and fasteners required for the pump



Vacuum Valve

SKU	Description
05-63-053	Vacuum switch for automatic discharge pump shut down



Standard Pumpout Hose kit 7 m Complete

SKU	Description
11-99-014	Pumpout hose kit, 7 m with Hose Cone Connection Handle, Rubber cone and Hose Connection Port

Large Pumpout Hose kit 10 m Complete

SKU	Description
11-99-015	Pumpout hose kit, 10 m with Hose Cone Connection Handle, 1x Rubber cone and Hose Connection Port

Motor Group Pump Out 240 V

SKU	Description
11-99-019	Motor group for discharge pump 1-phase, 240V, 2.2kW, 50 Hz

Motor Group Pump Out 400 V

SKU	Description
11-99-020	Motor group for discharge pump 3-phase, 400V, 1.5kW, 50 Hz

Motor Group Pump Out 120V – ON REQUEST –

SKU	Description
11-99-021	Motor group for discharge pump 1-phase, 120V, 2.2kW, 60 Hz



Albin Group

since 1928

Albin Group Marine AB
Kämpevägen 17
55302 Jönköping, Sweden

Albin Group Marine LLC
65 Walnut Street, PO Box 751
Peabody, MA 01960, USA

Albin Group Marine Asia
controlled by JMP Corporation
12 Mora-Ro Sasang-Gu
Busan, Korea (46903)

info@albin.group

www.albin.group