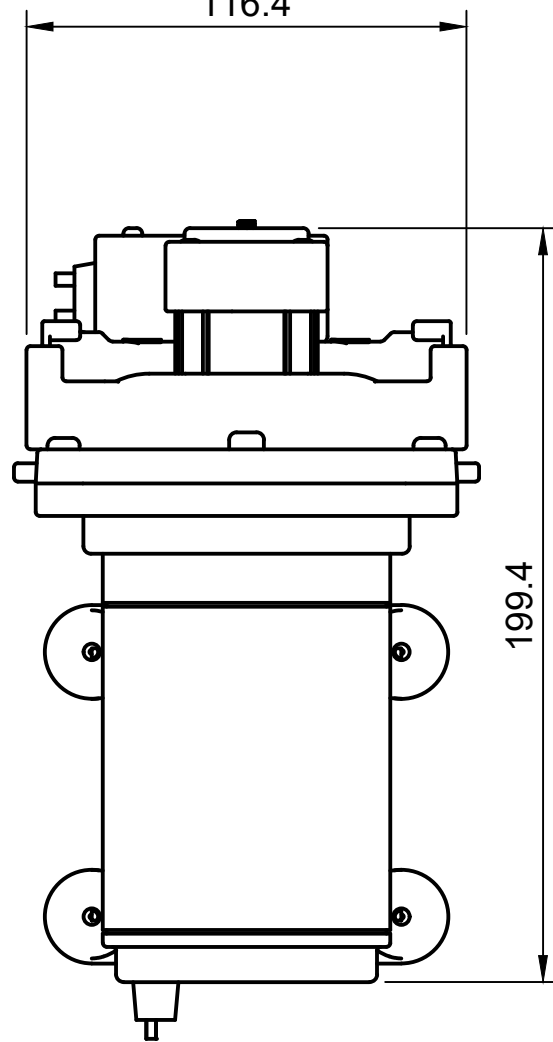


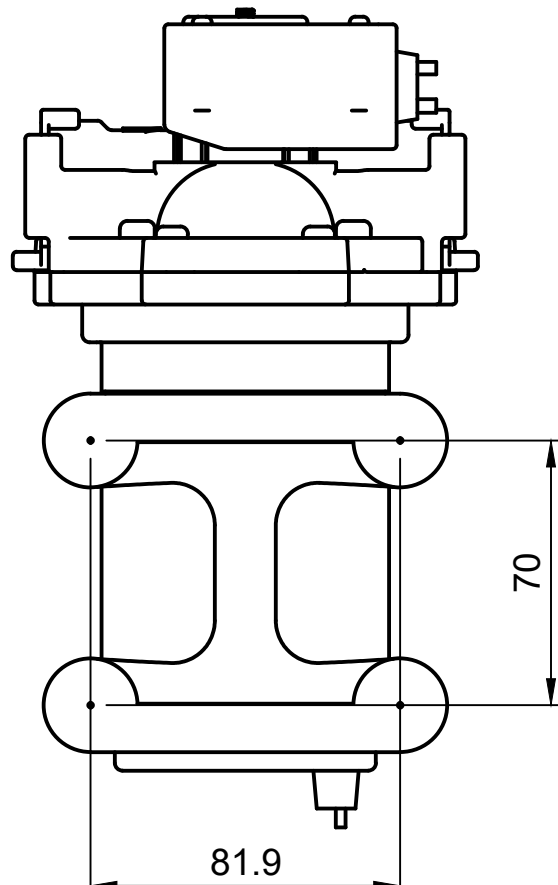
Scale 1:2

116.4



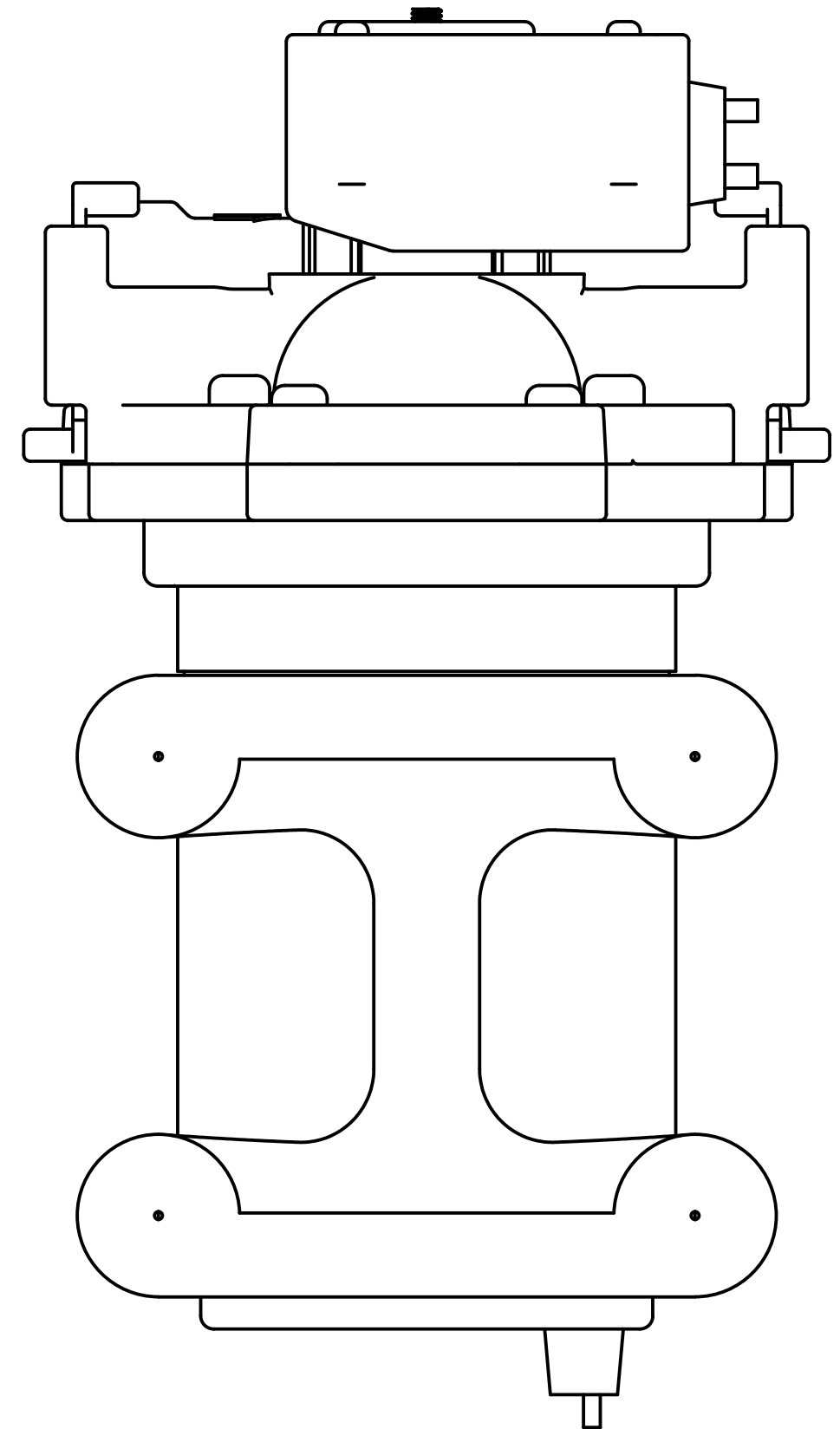
199.4

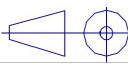

Scale 1:2



81.9

Scale 1:2



Qty	Info	Ytbehandling			
Dept. MECHANICAL R&D		Created by Daniel Karlsson 2023-03-02	COSTOMER		
Generella Toleranser ISO 2768-1- Medel 		Model part No 02-01-003 Water Pressure Pump WPS 2_6 12V v9	Scale 1:1	Size A3	
 QZURA SOLUTIONS <small>WE ARE ENGINEERING HEROES</small>		Title 02-01-003 Water Pressure Pump WPS 2_6 12V v9 v2	Mass 1040.637 g		
		Drawing No.	Material ABS Plastic		Rev.
Projekt Albin Group		Sheet 1/1			