
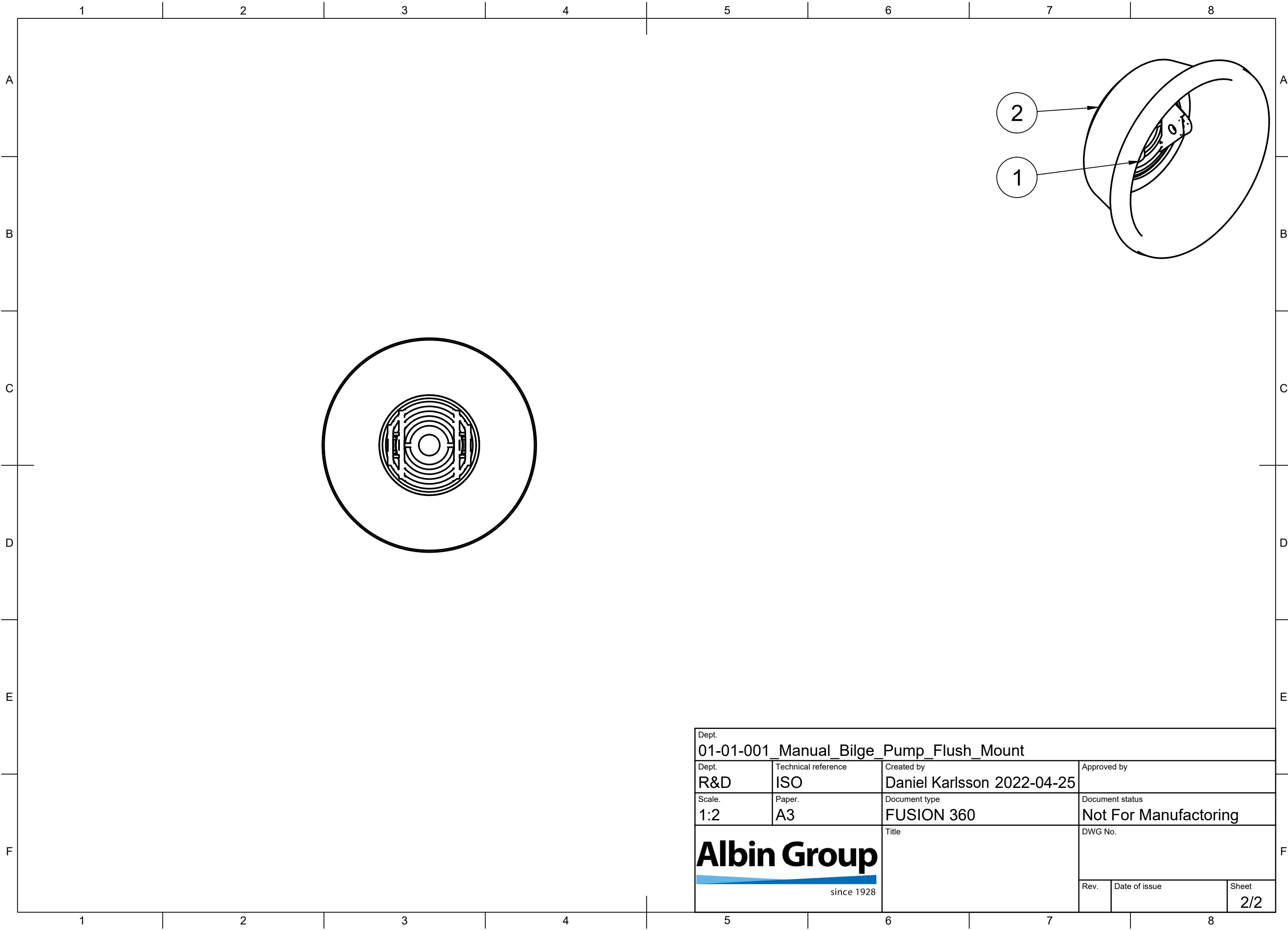


Dept. <b>01-01-001_Manual_Bilge_Pump_Flush_Mount</b>			
Dept.	Technical reference	Created by <b>Daniel Karlsson 2022-04-25</b>	Approved by
Scale. <b>1:2</b>	Paper. <b>A3</b>	Document type	Document status <b>Not for manufacturing</b>
 since 1928		Title	
		DWG No.	
Rev. <b>A</b>	Date of issue	Sheet <b>1/2</b>	



Dept. 01-01-001 Manual_Bilge_Pump_Flush_Mount			
Dept. R&D	Technical reference ISO	Created by Daniel Karlsson 2022-04-25	Approved by
Scale. 1:2	Paper. A3	Document type FUSION 360	Document status Not For Manufacturing
		Title	DWG No.
		Rev.	Date of issue