



# Premium Hand Pump

part number 01-01-003



A sturdy, compact and no-nonsense hand bilge pump for installation in smaller pleasure boats for bilge pumping.

- Mounting bracket for vertical or horizontal surface mounting
- One-hand operation
- Securely fastened, ergonomic operating handle
- Self-priming with single-chamber diaphragm and flap valves in Nitrile rubber
- Pump housing and handle in Polypropylene, metal fittings in stainless steel
- **Capacity** 0.5 liter (0.13 US gal) per stroke
- **Port size** 25 mm (1") hose
- **Dimensions (LxWxH)** 275 x 150 x 110 mm (10.8 x 5.9 x 4.3 inches)
- 2-year guarantee
- Conforms to ISO 15083 Small Craft – Bilge Pump Systems

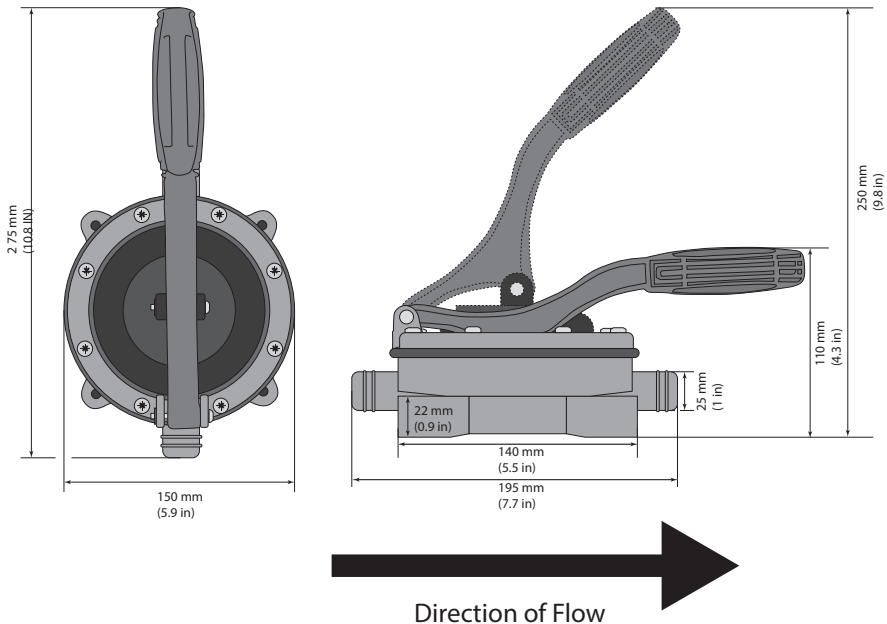


**Waste handling & material recycling**

At the product's end of life, please dispose of the product according to applicable law. Where applicable, please disassemble the product and recycle the parts according to material.

## Installation

- Mount the Premium Hand Pump with 4 x 6.5 mm (1/4") stainless steel screws (not included) where it can be readily accessed while operating the boat; such as in the cockpit, wheelhouse or on deck, make sure that the pump does not interfere in the operation of any equipment near it. ***NB! Discharge is in the direction of the end of the pump handle!***
- It is recommended to install a strainer (not included) in the lowest part of the bilge and attach a hose for the inlet, with double stainless steel hose clamps. Run the hose to the pump, keeping hose lengths as short as possible, with no substantial curves or kinks. (Albin Pump Marine Bilge Strainer Vertical (01-91-065) or Bilge Strainer Horizontal (01-91-066))
- Optionally install a draining, thru-hull fitting (not included) for the discharge according to the manufacturer's specifications; alternatively, fix the hose to discharge over the side. Route discharge hose on an upward incline from the pump. Avoid dips in hose that can trap water and airlock the pump. Avoid putting excess tension on hose, which can damage the pump outlet. Attach the discharge hose to the thru-hull fitting with double stainless steel hose clamps.
- The hose lengths should be kept as short as possible, with no substantial curves or kinks. The difference in height between the lowest and highest point of the hose must be less than 2.5 m (8.2 ft).
- Flexible hoses (not included), inner diameter 25 mm (1")
- 2 x stainless steel hose clamps for each hose connection (not included)



**Albin Group**  
since 1928

**Albin Group AB**  
Kämpevägen 17  
55302 Jönköping, Sweden

info@albin.group  
www.albin.group