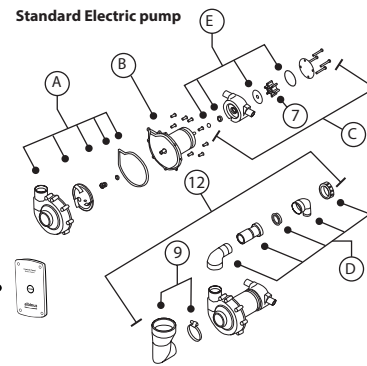
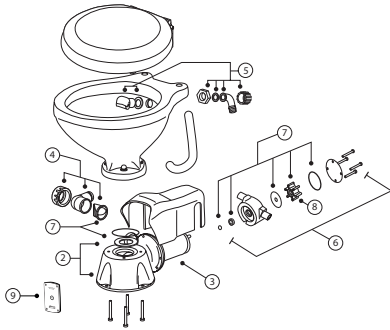


## Spare parts



Common spares	
part #	Description
07-99-063	2 Base Group
07-92-052	3 MOTOR GROUP EVO 12V.
07-92-053	3 MOTOR GROUP EVO 24V.
07-99-064	4 Outlet Elbow
07-99-060	5 Intake Elbow
07-92-065	6 Flush Pump EVO
07-92-066	7 Gasket Kit EVO
07-99-068	A, D, E Complete Gasket Kit Design/Premium
07-99-069	A Inlet Pump Group. Design/Premium
07-92-070	C Flush Pump Group. Design Std. El.
07-99-071	B Motor Group Design Std. El. 12V
07-99-072	B Motor Group Design Std. El. 24V
07-99-073	7, 8 Impeller Flush Pump
07-99-074	D Outlet Elbow Design/Premium

part #	Description
07-02-004	<b>Standard Electric Evo Compact 12V</b>
07-99-035	Compact Seat
07-92-050	Standard Electric EVO Conversion Kit 12V
07-99-054	Bowl Compact
07-02-005	<b>Standard Electric Evo Compact 24V</b>
07-99-035	Compact Seat
07-92-051	Standard Electric EVO Conversion Kit 24V
07-99-054	Bowl Compact
07-02-006	<b>Standard Electric Evo Comfort 12V</b>
07-99-036	Comfort Seat
07-92-050	Standard Electric EVO Conversion Kit 12V
07-99-056	Bowl Comfort
07-02-007	<b>Standard Electric Evo Comfort 24V</b>
07-99-036	Comfort Seat
07-92-051	Standard Electric EVO Conversion Kit 24V
07-99-056	Bowl Comfort
07-02-008	<b>Standard Electric Evo Compact Low 12V</b>
07-99-035	Compact Seat
07-92-050	Standard Electric EVO Conversion Kit 12V
07-99-055	Bowl Compact Low
07-02-009	<b>Standard Electric Evo Compact Low 24V</b>
07-99-035	Compact Seat
07-92-051	Standard Electric EVO Conversion Kit 24V
07-99-055	Bowl Compact Low
07-02-043	<b>Design Marine Toilet Standard Electric 12V</b>
07-99-035	Compact Seat
07-93-076	Design Standard Electric Conversion Kit 12V
07-99-067	Bowl Design Toilet
07-02-044	<b>Design Marine Toilet Standard Electric 24V</b>
07-99-035	Compact Seat
07-93-077	Design Standard Electric Conversion Kit 24V
07-99-067	Bowl Design Toilet



### Waste handling & material recycling

At the product's end of life, please dispose of the product according to applicable law. Where applicable, please disassemble the product and recycle the parts according to material.

### Warranty

Two year limited warranty.

## Albin Group

since 1928

### Albin Group AB

Kämpevägen 17  
55302 Jönköping, Sweden

info@albin.group  
www.albin.group

## Standard Electric EVO, Design Standard Electric Toilet models

- Combined Pump unit for raw water flushing and wasting
- New EVO system gives a more silent operation compared to other brands of std. electric toilets.
- New high performance discharge pump
- Complete toilet & conversion kit are interchangeable with Jabsco, Johnson and TMC
- Reversible pump mounting for left or right handed installations
- Spray nozzle elbow for efficient flushing
- All corrosion resistant material for use in a Marine environment.

### General Installation

Your Albinus toilet may be installed either above or below the waterline, for discharge of the waste overboard (abide by your National and International regulations) or into an onboard holding tank for treatment at an onshore processing facility. **For either of these cases, special attention must be given to the method of running the pipework for your own personal safety and the safety of your boat.**

### Through-hull fittings

For overboard waste disposal and/or the use of raw water for flushing, you will need through-hull fittings.

- 19 mm (¾") bore seacock for the flushing water inlet
- 19 mm (¾") and 25 mm (1") or 38 mm (1½") vented loops
- 25 mm (1") or 38 mm (1½") bore seacock for the waste outlet.

### Follow the seacock manufacturer's instructions concerning materials and methods of installation.

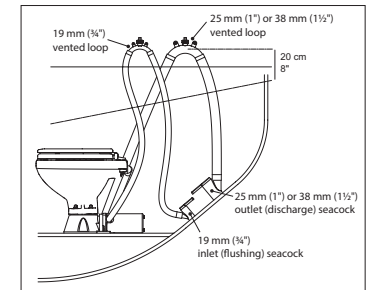
Make sure that the inlet seacock is positioned where it will be below the waterline at all times when the boat is under way and also that any outlet seacock is both aft of, and higher than the inlet seacock.

### Pipework: general instructions

- Spiral reinforced smooth bore flexible hose for both the 19 mm (¾") internal diameter inlet and the 25 mm (1") or 38 mm (1½") internal diameter outlet hose
- Stainless steel hose clips for the hoses
- Secure the hose runs so that the hoses cannot move, nor exert any leverage action on the hose tail fittings to which they are connected, as this may cause adjacent joints to leak
- Avoid sharp bends in the hoses since this might cause them to become kinked
- Keep all pipework lengths as short as possible while you are carrying out these operations. Unnecessary inlet or outlet hose lengths just make the toilet harder to pump.

### Pipework: Toilet below waterline or below holding tank

If the toilet is connected to any through-hull fitting and if the rim of the bowl falls below the waterline, for example during heavy seas, there is the risk of water flooding in, causing the boat to sink, which may result in loss of life. Therefore, if the rim of the toilet is less than 20 cm (8") above the waterline when the craft is at rest, or if there is any possibility that the rim of the bowl may be below the waterline at ANY time, a **vented loop MUST** be fitted in any pipework connected to a through-hull fitting, irrespective of whether inlet or discharge. The loop must be vented to avoid the siphoning of water back into the boat through the toilet.



### Inlet: 19 mm (¾") Vented Loop fitting

- The vented loop must be positioned in a way that its point is at least 20 cm (8") above the highest possible waterline
- Run the inlet hose by the most direct way from the inlet seacock to the vented loop
- Run the inlet hose by the most direct way from the vented loop to toilet flushing pump inlet connection.

### Discharge: 25 mm (1") or 38 mm (1½") Vented Loop fitting Mounting

- Arrange the discharge hose, so that its highest point is at least 20 cm (8") above the waterline or holding tank, and fit the vented loop at the highest point.
- Run the discharge hose from the toilet to the vented loop
- Run the discharge hose from the vented loop to the seacock or holding tank

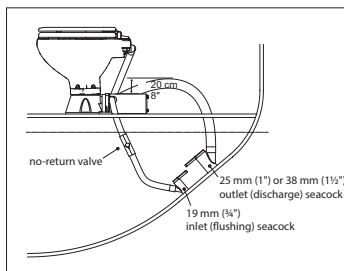
## Pipework: Toilet above waterline or above holding tank

### Inlet: 19 mm hose

- Run the inlet hose by the most direct route from the inlet seacock to a non-return valve.
- Run the inlet hose from the non-return valve to the flushing pump inlet connection.
- For convenience of use, install an in-line non-return valve next to the inlet seacock which will ensure that the pump stays primed in between usages.

### Discharge: 25 mm (1") or 38 mm (1½") hose

- As close as possible to the toilet, rise the discharge hose 20 cm above the base to retain water in the bowl. Make sure the outlet hose stays in this position.
- Connect discharge hose connection on the toilet to the seacock or holding tank.



### Mounting

Before starting the assembly, read the complete mounting instruction first. **You need the following:**

- **Stainless steel bolts:** 4 pcs, 8 mm (5/16") diameter of length to suit the thickness of the mounting surface.
- **Stainless steel washers:** 4 pcs. Drill: Diameter 9 mm.
- **Stainless steel nuts:** 4 pcs preferably self-locking. If you do not use self-locking nuts you need to add locking compound on the screws-/ nuts.
- **Silicone sealant, white.**
- If you do not use self-locking nuts, you will need some **nutlocking compound.**

1. Put the toilet in the selected position.
2. Using the holes in the base as a guide, mark the positions for the 4 bolt holes on the mounting surface.
3. Remove the toilet and drill 4 vertical holes, with a diameter of 9 mm, through the mounting surface.
4. Apply the white silicone sealant to the outer rim of the bottom base.
5. Put the toilet on its place and tighten the fastenings securely. If you are not using self-locking nuts, use nutlocking compound.
6. Use the sealant around the base, towards the floor.

### Operating instructions

Correct operation of the toilet is essential for the safety and comfort of your crew and boat. The panel controls the combined rinse and discharge by a single button.

### Normal Use:

1. Ensure that the inlet and discharge valves (full-bore, handle-operated sea cocks) are open
2. Push the button switch to operate flush until the bowl is thoroughly rinsed and the discharge pump has ejected the water from the base of the bowl. If the toilet has not been used for a while and the bowl is dry, it's recommended to operate the pumps for a few seconds so the bowl gets wet. This is for preventing the toilet paper to become compact at the bottom of the bowl.
3. If the pump does not discharge and the bowl begins to fill, partially close the toilet intake valve until the bowl is completely empty. Operate then for a few seconds with both valves open, so that the toilet and the whole discharge system may be completely emptied out.
4. After each operation, close both inlet and discharge valves!
5. To drain for winterization, close the inlet valve and operate for a few seconds until water is completely emptied.

### After use:

#### 1. SHUT BOTH SEACOCKS



### Hazard Risk

If the toilet is connected to **ANY** through-hull fittings that are below the waterline at any time, and if the toilet or pipework is damaged, water may flood in, causing the boat to sink, which may result in loss of life.

- After every usage; both seacocks (or secondary valves) **MUST** be shut.
- Ensure that **ALL** users understand how to operate the toilet system correctly and safely, including seacocks and secondary valves. Take special care to instruct children, the elderly and visitors!
- Whenever your craft is unattended, even if only for a very short period of time, both seacocks (even if secondary valves are fitted) **MUST** be shut.

## Cleaning

Regularly flushing with clean (sea)-water is one of the most effective methods to keep the toilet clean and odor-free

- To clean the bowl, use any liquid or cream ceramic cleaner
- To clean the rest of the toilet, including the seat and lid, use a nonabrasive liquid cleaner Polish with a dry cloth only.
- To disinfect the toilet, use a liquid disinfectant diluted in accordance with the manufacturer's instructions. It is possible to apply it to all parts of the toilet using a sponge or soft brush as necessary.
- After applying any cleaning or disinfecting agent, always flush well. **DO NOT ALLOW THESE AGENTS TO STAND IN THE SYSTEM** because strong detergents stay on the inside of the system and burn through the rubber seals of the pump, invalidating the warranty.



**NOTE:** Do not put any of the following into the toilet: Sanitary Towels, Wet Strength Tissues, Cotton Wool, Cigarettes, Matches, Chewing Gum or any solid objects, Petrol, Diesel, Oil, Solvents of any kind or water that is more than hand warm.

The toilet is rated to macerate toilet paper and organic waste only. Do not put anything, other than toilet paper, in the toilet unless it has passed through your body!

### Electrical connections

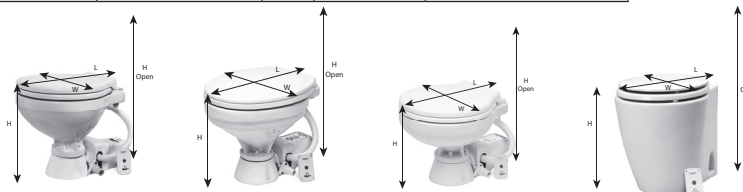
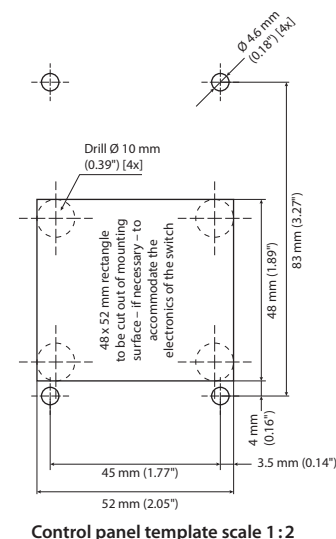
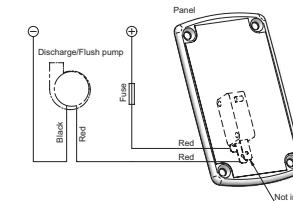
Connect the wires from the pump to the control panel switch as follows:

1. Panel Red (upper wire on switch) to positive (+) battery via one fuse
2. Panel Red (lower wire on switch) to toilet pump red
3. Toilet pump Black to battery negative (-)

To install the switch panel, drill four appropriately sized holes for your choice of fasteners to secure the switch panel to its mounting surface, using the dimensions below

		Wire size per feet and meter of run				
Voltage	Fuse size	0 m – 3 m (0'-10')	3 m – 4.6 m (10' – 15')	4.6 m – 7.6 m (15' – 25')	7.6 m – 12.2 m (25' – 40')	12.2 m – 18.3 m (40' – 60')
12V	25 A	2.5 mm <sup>2</sup> (#14)	2.5 mm <sup>2</sup> (#14)	4 mm <sup>2</sup> (#12)	6 mm <sup>2</sup> (#10)	10 mm <sup>2</sup> (#8)
24V	20 A	2.5 mm <sup>2</sup> (#14)	2.5 mm <sup>2</sup> (#14)	2.5 mm <sup>2</sup> (#14)	2.5 mm <sup>2</sup> (#14)	4 mm <sup>2</sup> (#12)

Part nr	Description	Amp	Net weight	Width x Depth x Height x Height open seat
07-02-004	Standard Electric EVO Compact 12V	17	9.5 Kg 21 lbs	345x470x390x690 mm (13.6x18.5x15.4x27.2 in)
07-02-005	Standard Electric EVO Compact 24V	8		
07-02-006	Standard Electric EVO Comfort 12V	17	11 Kg 24 lbs	360x510x370x765 mm (14.2x20.1x14.6x30.1 in)
07-02-007	Standard Electric EVO Comfort 24V	8		
07-02-008	Standard Electric EVO Compact Low 12V	17	9.2 Kg 20 lbs	340x470x340x645 mm (13.4x18.5x13.4x25.4 in)
07-02-009	Standard Electric EVO Compact Low 24V	8		
07-02-043	Design Standard Electric 12V	24	18 kg 40 lbs	340x400x410x720 mm (13.4x15.7x16.1x28.3 in)
07-02-044	Design Standard Electric 24V	12		



Std Electric EVO Compact Std Electric EVO Comfort Std Electric EVO Compact Low Design Std Electric