

Marine Air Blower 750 Inline 165, Inline 250 12V/24V

- Inline mounted axial blower for marine ventilation
- Flexible, bulkhead installation, with compact and simple design
- 178 mm (7") hose connection, capacity 750 m³/h (442 ft³/min)
- Advanced five-blade design for maximum flow and performance
- Quiet operation and low power consumption
- Long motor service life from powerful airflow cooling
- Structurally reinforced housing resists deformation during installation and protects the blades from interfering with housing
- For continuous duty
- Meets Electrical Regulations, ISO 8846, 10133, 9097 and CE Conforms with EN 55014 for suppression of Electro-magnetic interference

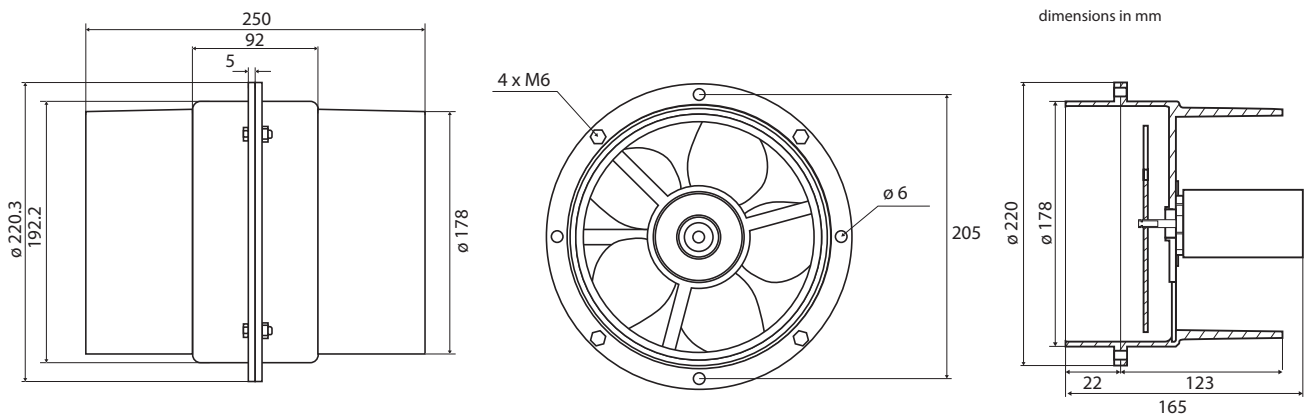
Installation:

The Albinus Marine Air Blower 750 Inline is for axial, inline mounting through a bulkhead.

Electrical Connection

WIRING: Use stranded copper wire. For lengths up to 25 feet (7.6 m) from power source: Use 2 mm. wire for 12 volt and 1.5 mm wire for 24 volt. Use larger wire for longer lengths.

Circuit must be protected with a fuse; see fuse info together with part number and product information above.



MARINE AIR BLOWER 750	Part Nr.	Type	Connections	Dimensions L x W x hose size	Replaces*
Inline 250 750 m ³ /h (442 ft ³ /min) 12V • 7 A	10-01-017	Inline mounted, axial flow blower for marine ventilation, through bulkhead installation	178 mm (7") hose	250 x 220 x 178 mm 9.8 x 8.7 x 7 in	OT 5500105012 V 17812A
Inline 250 750 m ³ /h (442 ft ³ /min) 24V • 3.5 A	10-01-018				OT 5500105024 V 17824A
Inline 165 750 m ³ /h (442 ft ³ /min) 12V • 7 A	10-01-019			165 x 220 x 178 mm 6.5 x 8.7 x 7 in	OT 5500105512
Inline 165 750 m ³ /h (442 ft ³ /min) 24V • 3.5 A	10-01-020				OT 5500105524

* OT = Ocean Technologies
V = Vetus

WARRANTY

One year limited warranty



Waste handling & material recycling

At the product's end of life, please dispose of the product according to applicable law. Where applicable, please disassemble the product and recycle the parts according to material.

EN 55014-1
ISO 8846
ISO 10133
ISO 9097

Albin Group
since 1928

Albin Group AB
Kämpevägen 17
55302 Jönköping, Sweden

info@albin.group
www.albin.group