

# Quick Guide for Installation of Septic 200

## Installation

1) Determine the optimum position along the dock for placement of the Pump-Out Station. The suction performance of any pump is determined by the viscosity of the media being pumped, length of the suction hose, head/back pressure, motor speed and inner diameter of the hoses. Therefore:

- Locate the Pump-Out Station as close as possible to the designated mooring point for septic tank emptying (a longer (10 m (32.8 ft)) suction hose is available as an accessory)
- Keep the lifting height required as low as possible (the pump is capable of max. 3 ½ m (11.5 ft) suction lift)
- Shorter suction hoses and lower suction lift will increase the life expectancy of the flexible impeller and seals
- If possible, minimize the length of the discharge hose to the holding tank/sewage lines, avoiding bends in the discharge hose, which could lead to the clogging of the hose.
- Use only hoses with the rated diameter; either approved by or supplied by Albinex
- Additionally, allow for ample mooring space for larger boats along the dock

- 2) Unscrew the nine (9) mounting screws holding the service cover on the narrow side of the Station, opposite the side with the suction and discharge hose connection ports. (See Fig. 1)
- 3) Remove the service cover
- 4) Loosen the retaining bolts (13mm socket) fixing the frame to the transport pallet
- 5) Position the Pump-Out Station in the desired location and securely fasten it to the dock. Note!, The pump must NOT be installed in an environment with flammable liquids, gases, etc. If you are at all uncertain, confer with the fire department and local authorities as to the regulations and bylaws.
- 6) Replace the service cover and secure it with the 9 mounting screws. (See Fig. 1)
- 7) Connect the discharge hose to the discharge port on the Pump-Out Station

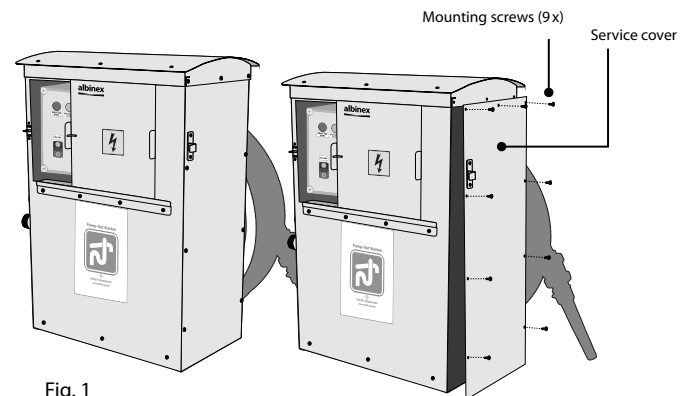
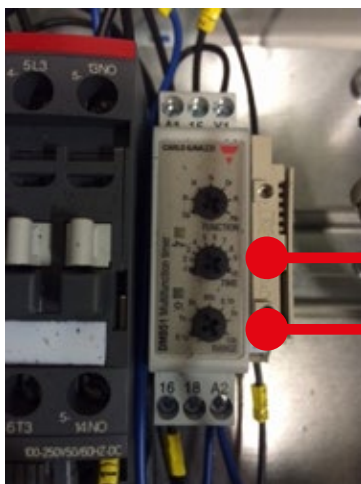


Fig. 1

## Adjustment of time relay

A factory-set time relay will automatically shut down the pump after 40 seconds – the normal time required to empty a septic tank of 60 – 100 liter. If larger tanks are commonly emptied, the time relay can be modified. Figure in that 2 – 2.5 liters can be pumped per second (dependent on hose length and pumping height). If the tank is emptied before the time relay kicks in, the vacuum valve senses that the tank is empty (starts sucking air) and automatically shuts down the pump. **NB! Never attempt to force start the pump after it has stopped. Do NOT attempt to run the pump if the tank is empty!**



Set the **TIME** dial to " 5 "

Set the **RANGE** dial to " 60s "