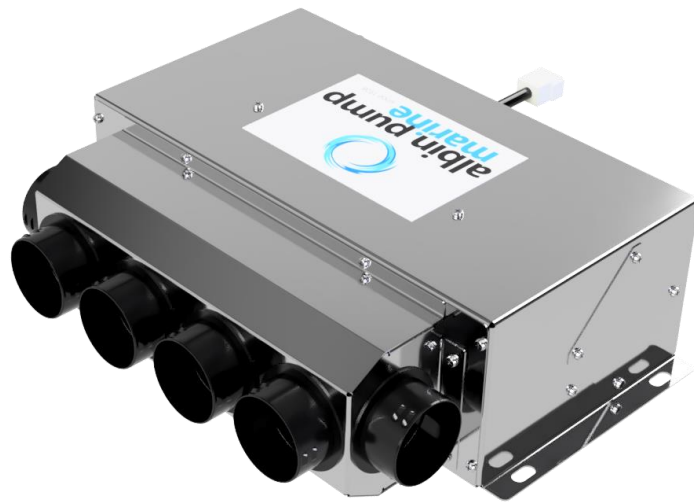


# Instruction for use

## Marine Defroster 9 kW 6 Outlets



This instruction for use is structured according to the European Commission COUNCIL RESOLUTION (98/C 411/01) of 17 December 1998 on operating instructions for technical consumer goods.

Albin Pump Marine defrosters are designed and manufactured to the highest standards of reliability and safety.

The content of this manual is in accordance with the design and construction of the equipment at the time of publishing. Albin Pump Marine reserves the right to introduce design modifications without prior notice.

# Table of Contents

1.	Introduction.....	4
1.1.	Intended use of product.....	4
1.2.	General description of product .....	4
1.3.	Main function of product .....	4
2.	Safety information.....	5
2.1.	Warnings.....	5
3.	Technical data .....	6
4.	Handling .....	7
5.	Preparing for use and installation.....	7
5.1.	Defroster .....	7
5.2.	Control panel.....	8
5.3.	Electrical connection .....	8
5.3.1.	Pinning.....	9
5.4.	Water connection .....	10
5.5.	Air connection .....	11
6.	Operation.....	12
6.1.	Control panel.....	12
7.	Maintenance .....	12
8.	Troubleshooting.....	13
9.	Consumables and spare parts .....	13
9.1.	Consumables .....	13
9.2.	Spare parts .....	14
10.	Packaging and product recycling .....	14

# 1. Introduction

## 1.1. Intended use of product

This equipment is intended for use in marine environment, incorporated in marine vessels. The equipment is not designed for use and operation in explosive environments.

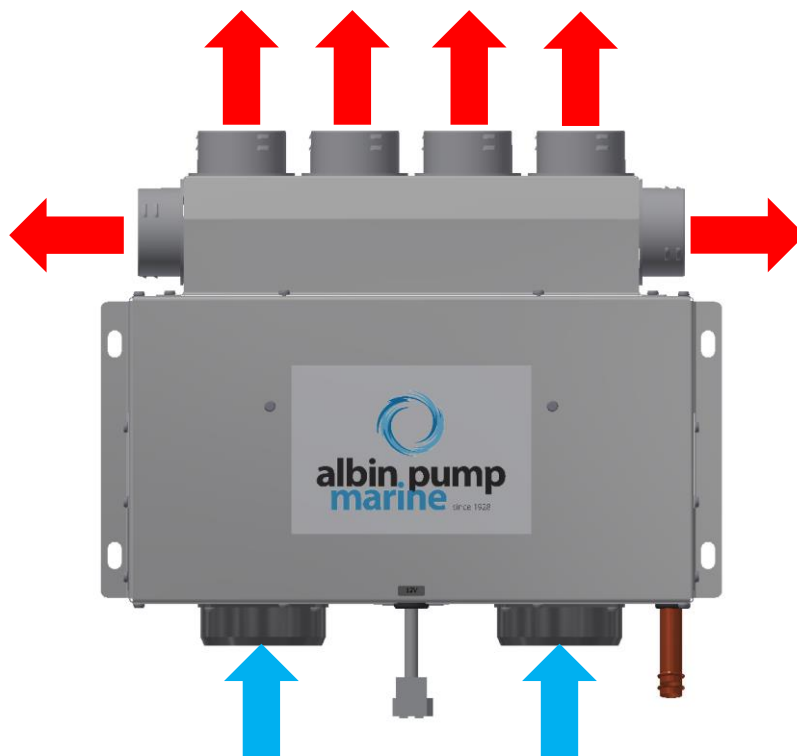
This product has been designed and manufactured for the purpose to provide heated air during normal working conditions.

## 1.2. General description of product

This product comprises mainly of metal casing, heat exchanger and blower. Detailed information about ingoing components can be found in drawings and schematics. Purpose of the product is to heat up air passing through the unit and distribute it through air ducts to desired locations.

## 1.3. Main function of product

Main function of the product is to heat and circulate the air by means of heat exchanger connector to water-based system and electrical blower. Air is sucked through inlets located either on bottom or sides of the product and ejected through outlets located on top.



## 2. Safety information



This product must only be operated, maintained and repaired by personnel who have been informed of the residual risks involved in operating it, and who have been warned of the risks involved if not following the instructions in this manual.

No modifications to the product are allowed without consulting the manufacturer.

Read and understand the manual before using this equipment!



Hazardous voltage may shock and burn. The power supply must be securely turned off before any maintenance is performed inside the electrical powered equipment on the product.

Familiarize yourself with the proper operation of any service equipment you will be using. Always read the manual enclosed with the equipment, and always follow the manufacturer instructions. Failure to do so could cause personal injury or damage to your equipment. Never perform any maintenance or service on your equipment before consulting authorized service personnel. Always unplug unit before any maintenance.

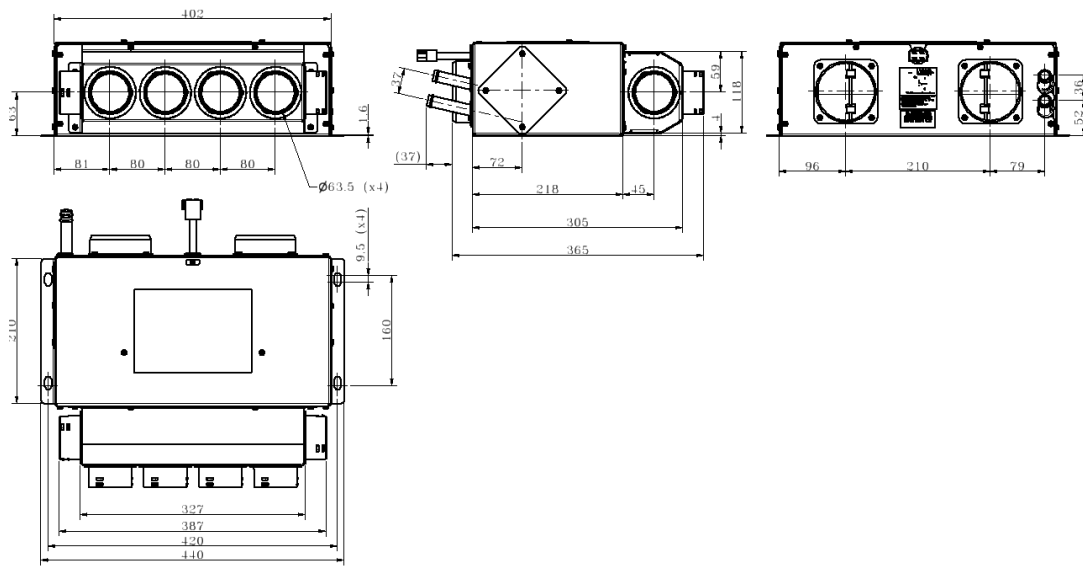
Always use appropriate protective equipment, wear goggles and gloves.

Always work in pairs. Never work on the equipment alone.

### 2.1. Warnings

	Do not perform any work on the system unless power is turned off!
	Do not put body parts or clothes etc. into blower fans, unless power supply is disconnected!
	Immediately turn of the system in case of any suspicion of malfunction!


### 3. Technical data



Parameter	Value	
<b>Part number</b>	09-02-017 kit 09-02-015 unit	09-02-018 kit 09-02-016 unit
<b>Description</b>	Premium defroster 9 kW 12V 6 Outlets	Premium defroster 9 kW 24V 6 Outlets
<b>Rated heating performance (max)</b>	9 kW (31000 BTU/h)	
<b>Rated air flow (max)</b>	350 m <sup>3</sup> /h (206 cfm)	
<b>Rated voltage</b>	12 V DC	24 V DC
<b>Rated power consumption</b>	Hi 9,0 A	4,5 A
	Med 6,0 A	3,5 A
	Low 5,0 A	3,0 A
<b>Electrical connection (unit)</b>	AMP Faston 6.3 4-pole female, AMP 180901	
<b>Electrical connection (extension cable)</b>	AMP Faston 6.3 2-pole female, AMP 180908	
<b>Fuse (not included)</b>	15 A	10 A
<b>Water connection</b>	16 mm (5/8") copper pipes with DIN 71550 bead	
<b>Water pressure (max)</b>	2,5 bar (36 psi)	
<b>Air connection</b>	Inlet	2 plastic hose adapters for $\Phi$ 90 mm (3.5") air hoses (can be moved to the sides of unit)
	Outlet	6 plastic hose adapters for $\Phi$ 60 mm (2.4") air hoses 6 plastic hose adapters for $\Phi$ 63,5 mm (2.5") air hoses
<b>Noise level (max)</b>	70 db(A)	
<b>Dimensions (WxHxD)</b>	Width	440x136x365 mm (17.3"x5.4"x14.4")
<b>Weight</b>	5,5 kg (12,1 lb)	

## 4. Handling

Product is packed in carton box and can be handled by any available means, due to its low weight and size.

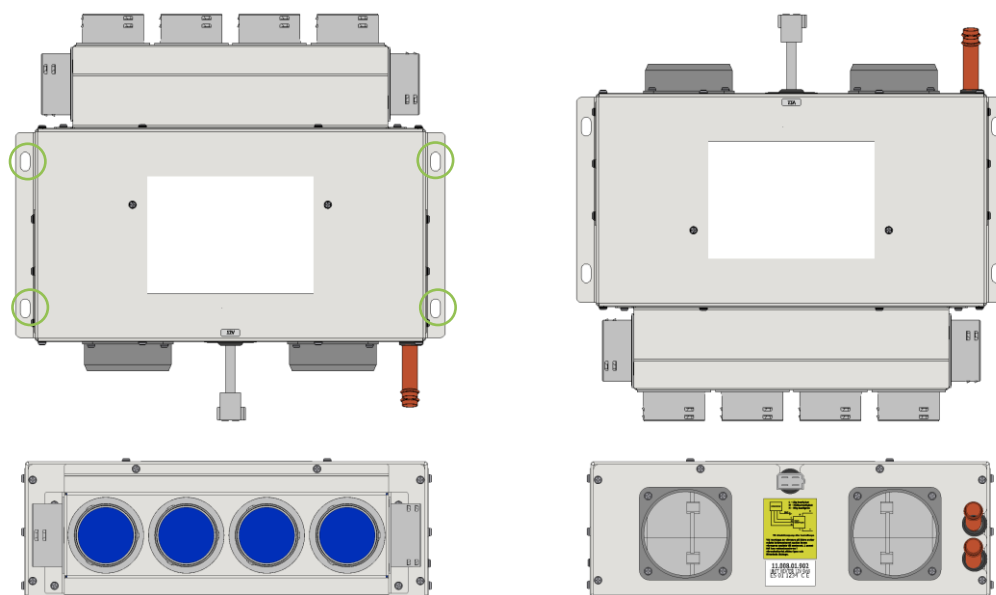
	<p><b>Wear protective gloves to prevent any cuts from possible sharp edges.</b></p>
	<p><b>Do not carry the product holding it either by the cable harness or by water connection tubes.</b></p>

## 5. Preparing for use and installation

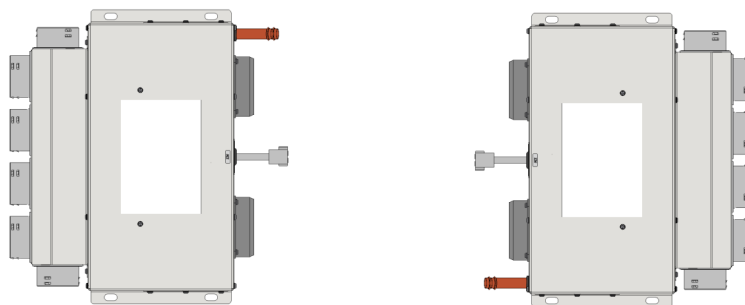
Unpack the equipment and start mounting the unit as described below. Also check with instructions from vessel manufacturer.

### 5.1. Defroster

Securely mount defroster in one of following positions (vertical or horizontal) by means of adequate screws or bolts and 4 slots in defroster's casing (not included).



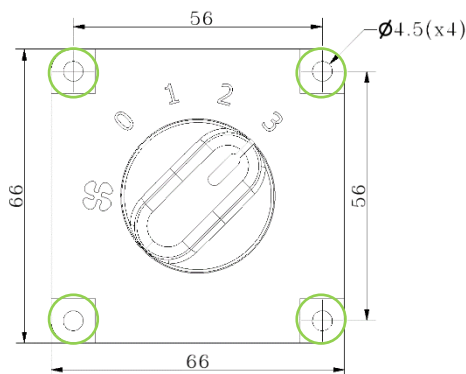
Following mounting positions (vertical blower axis) are possible, but not recommended. Product will operate in such position, however longevity of blower will be decreased.



## 5.2. Control panel


Mount control panel in designated place by means of suitable screws or bolts (not included).

Control panel has four  $\Phi 4,5$  mm (0,18") holes shown below.



## 5.3. Electrical connection

Connect the unit directly or by means of extension cable to the vessel's power supply with adequate voltage, using matching connectors (see section 3 for details). Connect control panel to extension cable.

	<p>Make sure that wires with cross section of at least 2,5 mm<sup>2</sup> (AWG 13) are used to connect the unit to power supply.</p>
	<p>Make sure that all connectors are properly connected and will not become loose during normal operation.</p>
	<p>Make sure defroster's electrical circuit is fused with appropriately sized fuse (see section 3).</p>
	<p>Make sure that defroster is connected to adequate power supply with voltage matching rated voltage of defroster. Incorrect connection can damage product.</p>

We recommend applying technical vaseline to additionally protect electrical connectors against moisture and dirt.

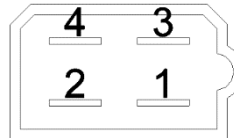


### 5.3.1. Pinning

Positions in each connector given in this instruction are matching markings on connectors and related manufacturer's documentation.

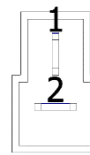
**Main connector** pinning is as follow:

1. High speed
2. Medium speed
3. Low speed
4. Ground



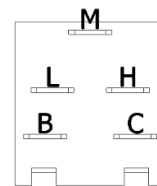
**Extension cable** pinning is as follow:

1. Power
2. Ground



**Control panel** pinning is as follow:

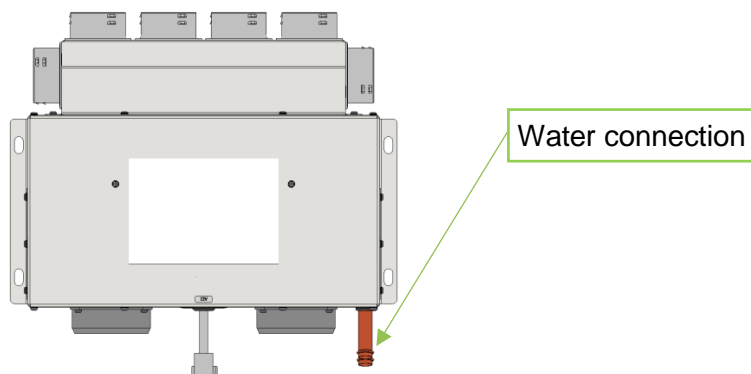
- H High speed
- M Medium speed
- L Low speed
- B Power
- C Clutch (common out), not used



Please also refer to wiring schematic for additional information.

## 5.4. Water connection

Product is connected to water-based system by means of two 5/8" (outer diameter,  $\approx 16$  mm) copper pipes with beads according to DIN 71550 standard.



Appropriate set of hoses and hose clamps should be used to connect the product to the system.

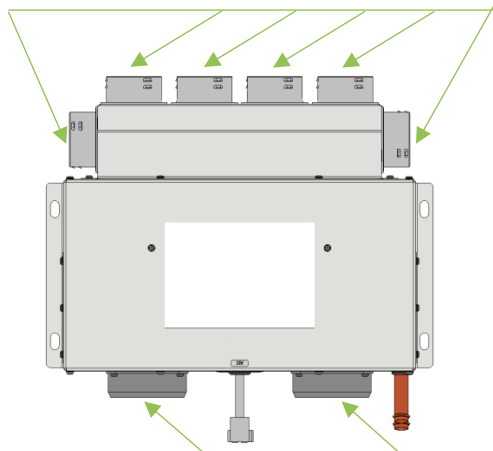
Make sure that hose clamps are mounted according to recommendation from manufacturer in order to avoid any leakages or malfunctions. Pay attention to proper tightening torque and positioning of clamps.

It does not matter which pipe will be used as inlet and which as outlet.

To ensure best performance, mount the product below water level in storage tank.

## 5.5. Air connection

Securely connect air hoses to plastic hose adapters on both inlet and outlet sides.

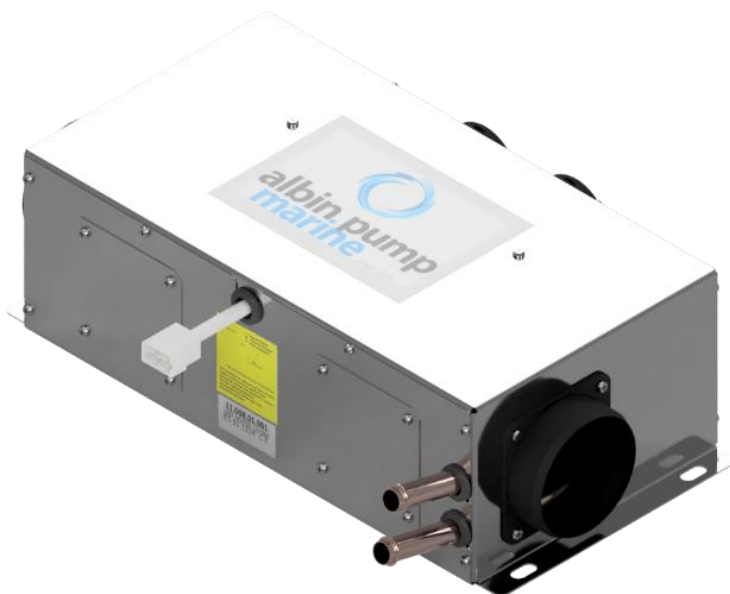


6x connection for  $\Phi 63,5$  mm (2,5") or  $\Phi 60$  mm (2,4") air hoses, air outlet side

2x connection for  $\Phi 90$  mm (3,5") air hoses, air inlet side

Make sure that air hoses are affixed tightly to adapters by means of adequate clamps to prevent any air leakages and loss of performance.

If needed, inlet adapters can be moved to sides of the unit, by removing two blinds covers mounted on both sides of the unit and replacing them with inlet adapters from bottom side of the unit. Blind covers must be fixed again to inlets on bottom of the unit. Otherwise performance of the unit will be greatly lowered. Figure below shows unit with side-mounted inlet adapters.



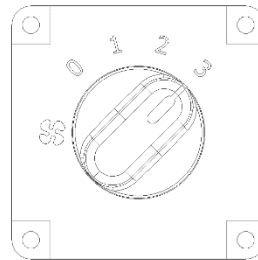
## 6. Operation

### 6.1. Control panel

Heater can be run in different blower speeds or turned off completely. Use knob in control panel to set desired blower speed.

Possible speeds to select from:

- 0 – blower turned off
- 1 – blower runs in low speed
- 2 – blower runs in medium speed
- 3 – blower runs in high speed



Refer to water valve manual or vessel manual to get instructions how to regulate fluid flow.

## 7. Maintenance

It is recommended to perform following check-up before and after each season:

- Control that blower works normally, does not make any unusual noise and does not vibrate more than normal
- Control electrical connectors and make sure that they did not become loose, damaged or rusted
- Control hose clamps and make sure they are securely holding hoses; if needed, re-tighten them, following clamp's manufacturer's recommendations

If any malfunction is noticed, please refer to Spare parts section for list of available spare parts or replace faulty product, if spare parts are not available for faulty component.

## 8. Troubleshooting

#	Malfunction	Possible cause	Action
1	Unusual noise from the blower motor	The blower motor might not operate correctly	Replace blower. Contact technical service!
2	Insufficient airflow	Obstruction: dust, dirt	Remove obstructions from inlets, air ducts or filter.
		Air leakage	Check duct connections and their condition (cracks). Contact technical service!
3	No airflow	Jammed blower fan	Remove obstruction.
		No power supply to blower	Check electrical connections. Contact technical service!
		Broken blower or blower motor	Replace blower. Contact technical service!
4	Insufficient heating	Electrical connections	Check wiring and connections. Contact technical service!
		Broken electrical components	Contact technical service!

## 9. Consumables and spare parts

Following list of spare parts is suggested by Albin Pump Marine.

Albin Pump Marine may not be considered liable of possible damages caused from faulty spare parts, if the spare parts are:

- Not supplied by Albin Pump Marine
- Not correctly installed according to the drawings, instructions or in any way not installed following the rules of “good technique”
- Not been correctly used
- Unsecured

For other spare parts than listed below the replacement shall be made under approval of Albin Pump Marine. Otherwise any guaranties are not valid.

### 9.1. Consumables

No consumables were identified.

## 9.2. Spare parts

Following parts are available as spare parts.

APM P/N	Description	Note
09-66-023	Air hose adapter $\Phi$ 60 mm (2,4"), snap-in	
09-66-034	Air hose adapter $\Phi$ 63,5 mm (2,5"), snap-in	
09-66-022	Air hose adapter $\Phi$ 90 mm (3,5")	
09-66-025	Blind cover $\Phi$ 90 mm (3,5")	
09-66-026	Blower, 12V, standard	Blower cable excluded
09-66-027	Blower, 24V, standard	Blower cable excluded
09-66-017	Control panel, 12-24V	
09-66-028	Knob	
09-66-029	Switch, 12-24V, 4-step	
09-66-020	Extension cable, 5 m (16,4 ft), 12-24V	
09-66-030	Blower cable, 12-24V	

## 10. Packaging and product recycling

The packaging must be submitted to the nearest environmental recycling center.

The product cannot be treated as household waste. It shall instead be left at a collection site for recycling of electrical- and electronic components.

For further Recycling information, contact your local authorities, waste collection service.





**Albin Pump Marine AB**

Kämpevägen 17 info@albinpumpmarine.com  
55302 Jönköping, Sweden www.albinpumpmarine.com