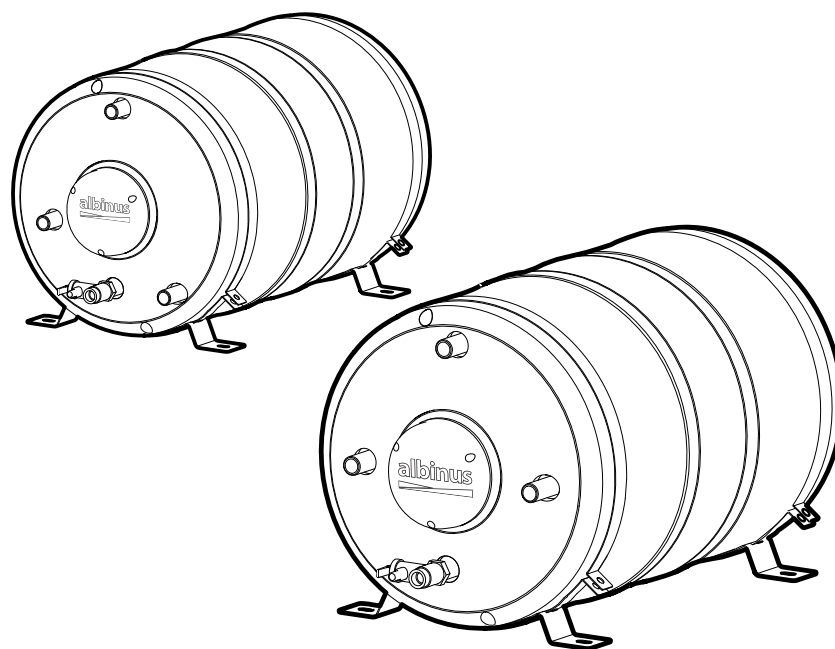


# albinus<sup>®</sup>

20L 230V 1200W	Part No.	08-02-040
30L 230V 1200W	Part No.	08-02-041
40L 230V 1200W	Part No.	08-02-042
60L 230V 1200W	Part No.	08-02-043
80L 230V 1200W	Part No.	08-02-044

## Stainless Steel Water Heaters



---

EN INSTALLATION AND USER MANUAL

---



Ver 01 R01 2023-09



## Index

<b>1.0 - Model code</b>	<b>4</b>
1 - Information about the product	4
<b>2 - Supply and equipment</b>	<b>6</b>
2.0 - Standard supply and material included in the package	6
<b>3 - Introduction</b>	<b>6</b>
3.0 - Important notes	6
3.1 - Precautions	6
3.2 - Precautions for the installer	6
<b>4 - Installation / Use</b>	<b>7</b>
4.0 - Installation requirements	7
4.1 - Installation procedure	7
4.2 - Use	7
4.2.0 - Cautions for use	8
4.2.1 - AC power supply of the equipment	8
4.2.2 - AC thermostat setting	8
5.0 - Hydraulic connection	9
5.1 - AC connection diagram	10
<b>6 - Maintenance</b>	<b>11</b>
6.0 - Maintenance	11
6.1 - AC maintenance	11
<b>7 - Product disposal</b>	<b>12</b>
<b>8 - Spare parts</b>	<b>13</b>
<b>9 - Dimensions</b>	<b>14</b>

## 1 - Information about the product



ALBIN GROUP® RESERVES THE RIGHT TO MODIFY THE TECHNICAL CHARACTERISTICS OF THE EQUIPMENT AND THE CONTENTS OF THIS MANUAL WITHOUT PRIOR NOTICE. IN CASE OF DISCORDANCE OR ERRORS IN TRANSLATION BETWEEN THE TRANSLATED VERSION AND THE ORIGINAL TEXT IN THE ITALIAN LANGUAGE, REFERENCE WILL BE MADE TO THE ITALIAN TEXT.

### STAINLESS STEEL PREMIUM WATER HEATERS

Our long experience in the nautical sector has enabled us to develop a series of water heaters with innovative features compared to the market standard. The advantages that albinus water heaters offer are:

- High-quality materials ensuring durability and resistance over time.
- Heat exchanger with a large exchanging surface.
- Possibility of producing hot water even with the electric element, complete with adjustable and safety thermostat.
- Relief/non-return valve that allows the water heater to drain the water when not in use.
- Easy installation on a flat area.
- 2 thermal release protections: minimum 60° - maximum 90°.

#### 1.0 - Model code

MODEL		20 L
TANK CAPACITY	Litres	20
	US gallons	5.3
Tank material		AISI 316
Thermal insulation material		Polyurethane foam
External cladding material		COMPOSITE
Tank pressure during testing		800 kPa <sup>(1)</sup>
Maximum working pressure		600 kPa <sup>(1)</sup>
Electric element voltage rating		230 VAC
Electric element power rating		1200 W
Fittings diameter		½"
Weight <sup>(2)</sup>	Kg	7.1
	Lb	15.6

(1) 1 Bar = 100 kPa • (2) with equipment vacuum

**1 - Information about the product**

<b>MODEL</b>		<b>30 L</b>	<b>40 L</b>
<b>TANK CAPACITY</b>	Litres	<b>30</b>	<b>40</b>
	US gallons	7.9	10.5
Tank material		AISI 316	AISI 316
Thermal insulation material		Polyurethane foam	Polyurethane foam
External cladding material		COMPOSITE	COMPOSITE
Tank pressure during testing		800 kPa <sup>(1)</sup>	800 kPa <sup>(1)</sup>
Maximum working pressure		600 kPa <sup>(1)</sup>	600 kPa <sup>(1)</sup>
Electric element voltage rating		230 VAC	230 VAC
Electric element power rating		1200 W	1200 W
Fittings diameter		½"	½"
Weight <sup>(2)</sup>	Kg	10.5	12.0
	Lb	23.1	26.4

(1) 1 Bar = 100 kPa • (2) with equipment vacuum

<b>MODEL</b>		<b>60 L</b>	<b>80 L</b>
<b>TANK CAPACITY</b>	Litres	<b>60</b>	<b>80</b>
	US gallons	15.8	21.1
Tank material		AISI 316	AISI 316
Thermal insulation material		Polyurethane foam	Polyurethane foam
External cladding material		COMPOSITE	COMPOSITE
Tank pressure during testing		800 kPa <sup>(1)</sup>	800 kPa <sup>(1)</sup>
Maximum working pressure		600 kPa <sup>(1)</sup>	600 kPa <sup>(1)</sup>
Electric element voltage rating		230 VAC	230 VAC
Electric element power rating		1200 W	1200 W
Fittings diameter		½"	½"
Weight <sup>(2)</sup>	Kg	13.4	16.3
	Lb	29.5	35.9

(1) 1 Bar = 100 kPa • (2) with equipment vacuum

## 2 - Supply and equipment

### 2.0 - Standard supply and material included in the package

- Water heater
- Floor or wall-mounting brackets
- Various screws and hardware (for assembly)
- User's manual
- Conditions of warranty.

---

## 3 - Introduction

BEFORE USING THE PRODUCT, PLEASE READ THIS USER'S MANUAL CAREFULLY. IF IN DOUBT, PLEASE CONSULT YOUR ALBIN GROUP® DEALER.

### 3.0 - Important notes

This manual features Warning and/or Caution symbols that are important for safety. Stick to the given instructions.



**Warning** symbol for dangerous situations.



**Caution** symbol to prevent direct or indirect damage to the product.

This document provides boat manufacturers and nautical equipment installers with instructions on how to assemble the water heater and operate it correctly.

### 3.1 - Precautions



- Use the product only for the applications described in this manual.
- Do not use these products for any other type of operation.
- Albin Group® shall not be held liable for direct or indirect damage caused by improper use of the product.
- Before connecting the equipment, make sure that cables are not live.
- This equipment is not intended for use by people (including children) with reduced physical, sensory or mental capabilities. Albin Group® AB shall not be held liable for direct or indirect damage caused by improper use of the equipment.
- Never switch on the electric element if the product is not filled with water, otherwise the heating element could be irreversibly damaged.

### 3.2 - Precautions for the installer



#### **CARRY OUT THE INSTALLATION IN GOOD LIGHTING CONDITIONS.**

It is advisable to wear suitable clothing and personal protective equipment (PPE).

The water heater is not suitable for installation in potentially explosive environments and/or atmospheres.

Installation and subsequent inspection or repair work must only be carried out by qualified personnel.



#### **CARRY OUT INSTALLATION/MAINTENANCE WORK MAKING SURE THAT THE PRODUCT IS DISCONNECTED FROM THE ELECTRICAL SYSTEM.**

Albin Group accepts no responsibility for inadequate connection of users to the electrical system and inadequate safety of the electrical system.

## 4 - Installation / Use

### 4.0 - Installation requirements

The water heater must be installed in a dry and well-ventilated place. This precaution is necessary, even if the water heater is made of materials resistant to the marine environment, due to the presence of electrical devices (in models equipped with them). In addition, installation in an unventilated place may cause condensation; condensation may be mistaken for a false leak.



**WARNING:** do not install the water heater in environments with the presence of gas or potentially flammable materials.

### 4.1 - Installation procedure

A - Apply the brackets to the tank.



**WARNING:** the weight of the water heater indicated in the technical specifications refers to empty equipment. For the weight when fully loaded, add the weight of the mass of water filled in the equipment to the weight when empty (1 litre of water corresponds to approximately 1 kg. / 2.2 lb).

B - Fix the water heater to a flat surface as shown in figure 1 (page 9) using supports suitable for the weight of the water heater and the type of surface available for installation.

C - Make the hydraulic connections for the tap hot water input and output and the engine cooling circuit to the heat exchanger (in models featuring it) as shown in figure 2 (page 9). The connection between the engine cooling circuit and the water heater exchanger should be as short as possible.



**WARNING:** follow the engine manufacturer's instructions to withdraw the coolant to be sent to the water heater exchanger.



**WARNING:** the overpressure release pipe must be positioned on a continuous downward slope and in a place protected from ice formation.

**WARNING:** water may drip from the overpressure stub pipe; leave this pipe open so that it can drain the water in the atmosphere.

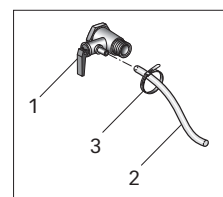
**WARNING:** use Loctite 243, 577 or Teflon when installing the fittings. Check that there are no water leaks.

### 4.2 - Use



**WARNING:** follow the engine manufacturer's instructions to withdraw the coolant to be sent to the water heater exchanger.

- Position the stub pipe (2) of the valve (1) securing it with the clamp (3). Position it in such a way that any spillage of water will not damage other objects.
- Open the hot water taps of the washbasins and start the water pump. This allows the air in the water heater and in the pipes to flow out. Close the taps as soon as only water starts to flow out.
- Check that there is no leakage from the fittings.



## 4 - Installation / Use

### 4.2.0 - Cautions for use



**Before connecting the equipment, make sure that cables are not live.**

Never switch on the electric element if the water heater is NOT filled with water, otherwise the heating element could be irreversibly damaged and the protection devices will not work properly.



**WARNING:** if the power cable is damaged, have it replaced at a Albin Group® service centre. To avoid accidents, the equipment must only be opened by authorised personnel. The warranty will be void if the equipment is opened by unauthorised personnel.

### 4.2.1 - AC power supply of the equipment

The equipment is already provided with a power cable for the AC network. For connections to the AC network, see figure 3. Before supplying power to the water heater, make sure that its operating voltage corresponds to that supplied by the AC network.

A double pole switch must be installed in the electrical system to turn the equipment on and off and a fuse suitable for its absorption. The insulation material between the contacts of the connections to the AC network must be at least 3 mm. Connections to the AC network must be made in accordance with the national standards on electrical systems.

### 4.2.2 - AC thermostat setting

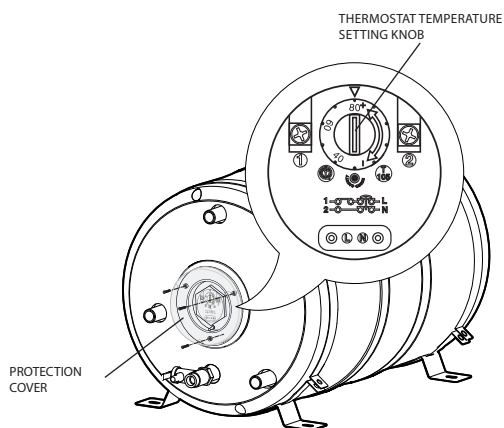
The thermostat factory-set temperature value is 60°C.

If you wish to change this value, follow the procedure below:

- Interrupt the power supply.
- Remove the protection cover to reach the thermostat.
- Use a screwdriver to turn the thermostat knob and set the desired temperature value.
- Refit the protection cover.
- Restore the power supply.



The thermostat regulates the water temperature only when operating with electric element.





### 5 - Wiring diagram

#### 5.0 - Hydraulic connection

FIG.1

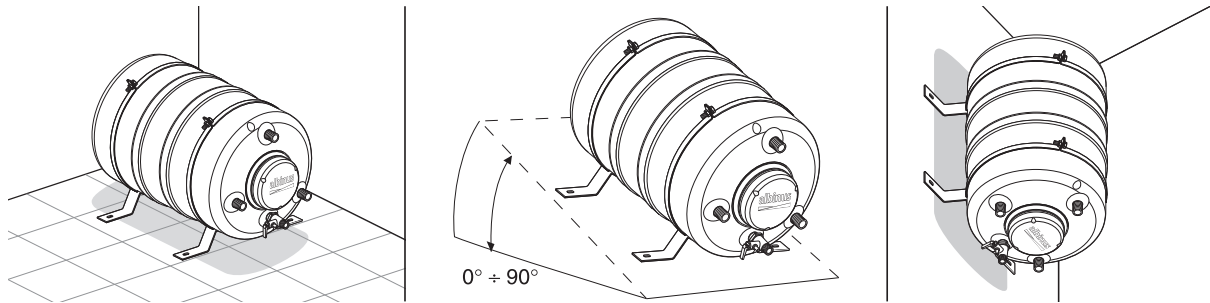
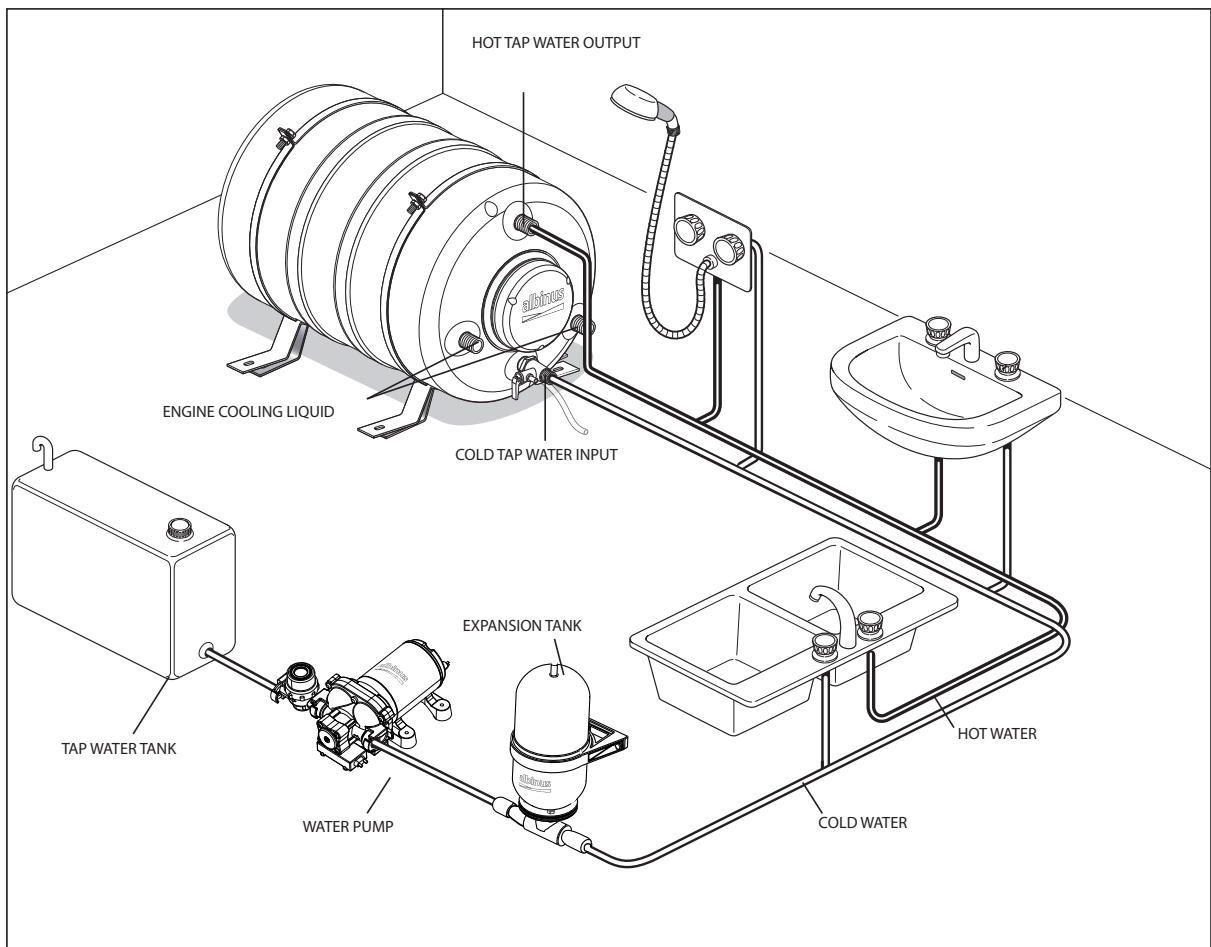


FIG.2



### 5 - Wiring diagram

#### 5.1 - AC connection diagram

FIG.3

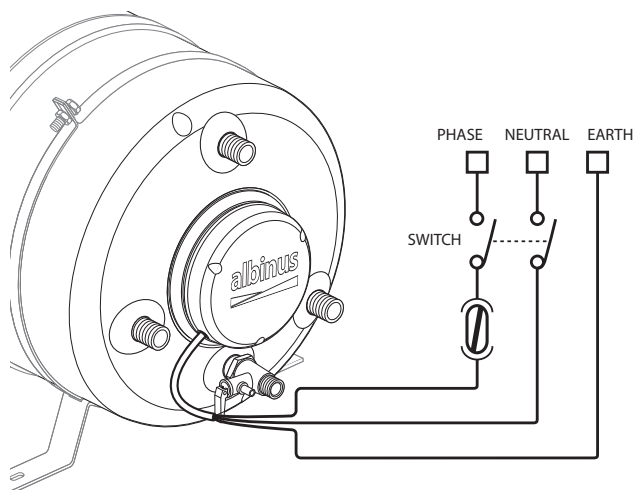
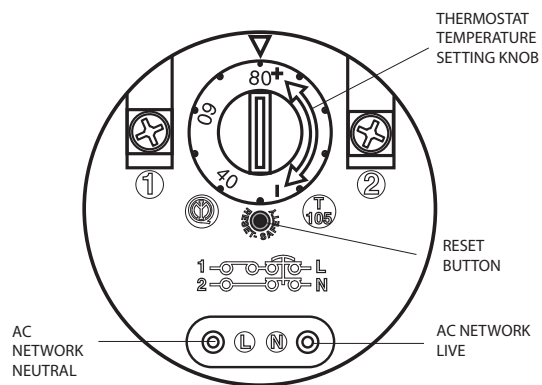


FIG.4



## 6 - Maintenance

### 6.0 - Maintenance



**WARNING:** if the overtemperature safety device is triggered repeatedly during the use of the water heater, contact a Albin Group® service centre.

**WARNING:** if the power cable is damaged, have it replaced at a Albin Group® service centre. To avoid accidents, the equipment must only be opened by authorised personnel. The warranty will be void if the equipment is opened by unauthorised personnel.

- During the cold season, if the water heater is not in use, it is advisable to empty it using the valve lever (fig. 1 page 7). This is to avoid damage caused by frost.
- Periodically check the hydraulic system fittings for leaks; check the tightness of the fastening screws and replace them if they are worn out or corroded.
- Periodically check the efficiency of the electrical system.

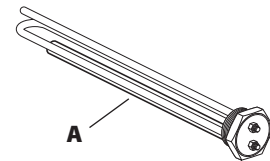
### 6.1 - AC maintenance



**WARNING:** Albinus water heaters are equipped with a double thermostat with manual reset that cuts off the power supply in the event of too high water temperature. If this condition occurs, proceed as follows:

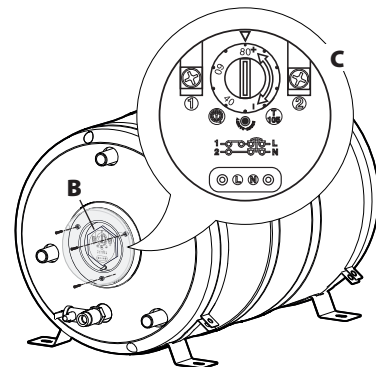


It is advisable to check the magnesium anode every 12 months. Replace it if deteriorated. This simple preventive maintenance guarantees a long equipment life over time.



#### PROCEDURE for SINGLE-PHASE manual reset:

- Interrupt the power supply
- Remove the protection cover (B) to reach the thermostat (C).
- Use a screwdriver to turn the thermostat knob (fig. 4 page 10) and set the maximum temperature value.
- Press the reset button on the double thermostat (fig. 4 page 10).
- Use a screwdriver to turn the thermostat (C) knob and set the desired temperature value.
- Refit the protection cover (B).
- Restore the power supply.



## 7 - Product disposal

As with installation, at the end of this product life, dismantling must be carried out by qualified personnel.

This product is made up of various materials, some can be recycled and others must be suitably disposed of; enquire about the recycling or disposal systems provided for by local regulations for this product category.

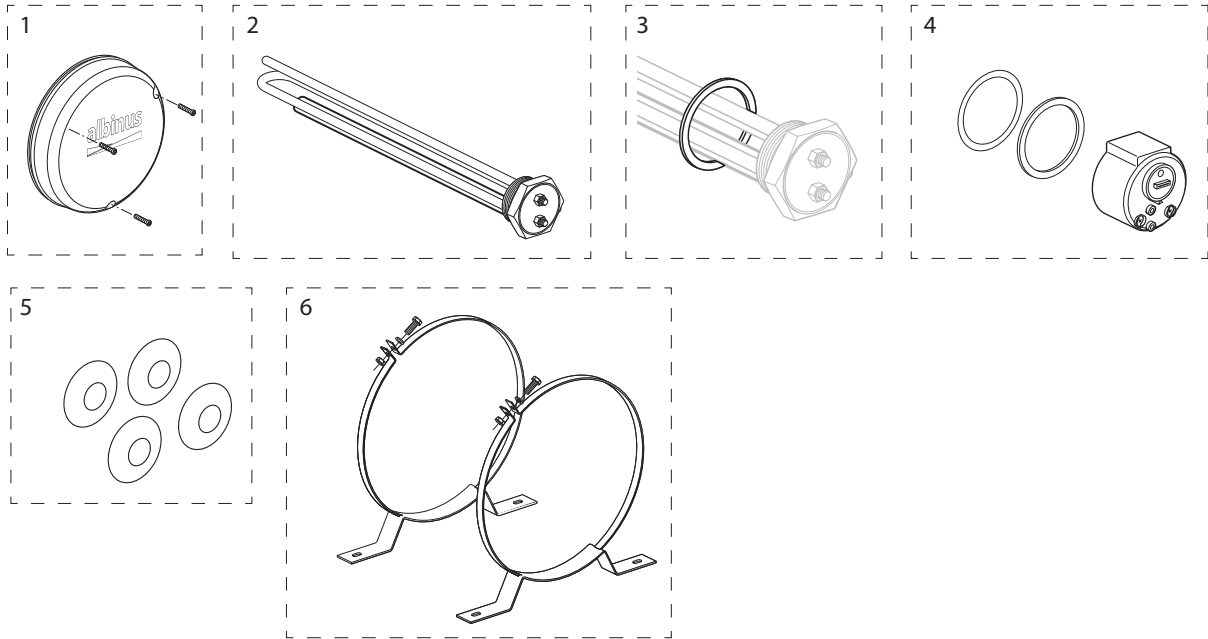
Some parts of the product may contain pollutants or hazardous substances that, if dispersed, may be harmful to the environment and human health.



As indicated by the symbol on the side, it is forbidden to dispose of this product as domestic waste. Separate the products for disposal in accordance with the regulations in force in your area or return the product to the seller when purchasing a new equivalent product.

Local regulations may impose severe penalties for the improper disposal of this product.

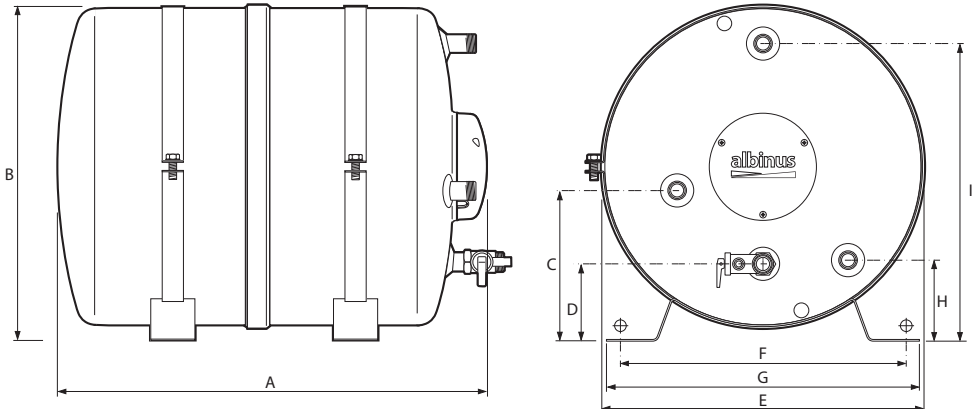
**8 - Spare parts**



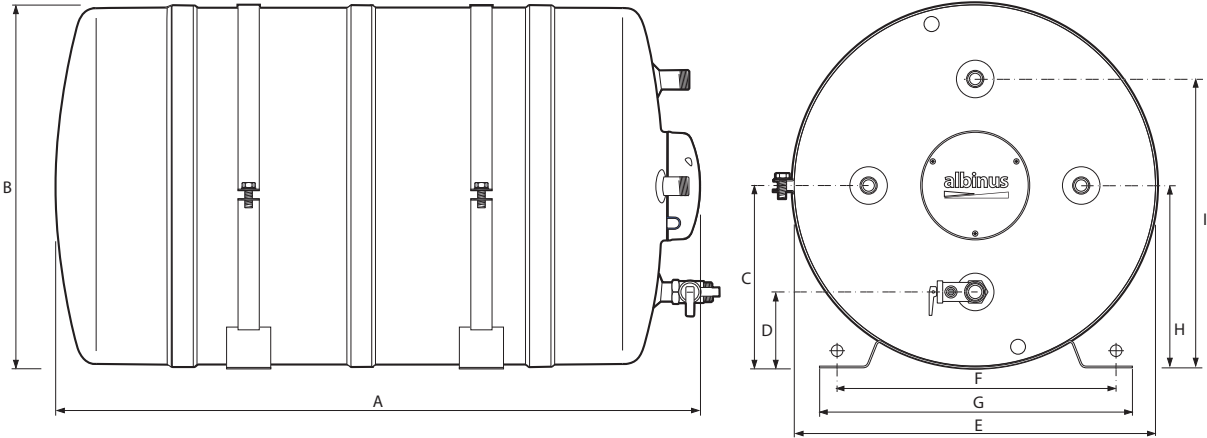
POS.	PART NO.	DESCRIPTION
1	08-92-045	ELECTRIC ELEMENT COVER 220V ALBINUS
2	08-92-046	ELECTRIC ELEMENT KIT 1200W 220V
3	08-92-047	ELECTRIC ELEMENT SEAL
4	08-92-048	DOUBLE THERMOSTAT KIT 15A 270MM
5	08-92-049	PIPE END WASHERS
6A	08-92-050	FIXING KIT 20L
6B	08-92-051	FIXING KIT 30L-40
6C	08-92-052	FIXING KIT 60L-80L

9 - Dimensions

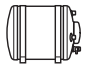
20L 5.3 GAL  
30L 8 GAL - 40L 10.5 GAL

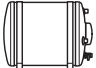



60L 15.8 GAL - 80L 21.1 GAL



9 - Dimensions

	<b>20L 5.3 gal</b>
<b>A</b>	500 (19" 11/16)
<b>B</b>	316 (12" 7/16)
<b>C</b>	123 (4" 27/32)
<b>D</b>	59 (2" 21/64)
<b>E</b>	Ø 306 (12" 3/64)
<b>F</b>	304 ÷ 318 (11" 31/32 ÷ 12" 1/2)
<b>G</b>	320 (12" 19/32)
<b>H</b>	87 (3" 27/64)
<b>I</b>	259 (10" 13/64)

	<b>30L 7.9 gal</b>	<b>40L 10.5 gal</b>
<b>A</b>	495 (19" 31/64)	623 (24" 13/32)
<b>B</b>	366 (14" 13/32)	
<b>C</b>	158 (6" 7/32)	
<b>D</b>	75 (2" 61/64)	
<b>E</b>	Ø 366 (14" 13/32)	
<b>F</b>	304 ÷ 318 (11" 31/32 ÷ 12" 1/2)	
<b>G</b>	320 (14" 3/16)	
<b>H</b>	79 (3" 7/64)	
<b>I</b>	325 (12" 51/64)	

	<b>60L 15.8 gal</b>	<b>80L 21.1 gal</b>
<b>A</b>	721 (28" 3/8)	921 (36" 1/2)
<b>B</b>	404 (15" 29/32)	
<b>C</b>	204 (8" 1/32)	
<b>D</b>	85 (3" 11/32)	
<b>E</b>	Ø 400 (15" 3/4)	
<b>F</b>	270 ÷ 285 (10" 5/8 ÷ 11" 7/32)	
<b>G</b>	320 (12" 19/32)	
<b>H</b>	204 (8" 1/32)	
<b>I</b>	323 (12" 23/32)	

# Stainless Steel Premium Water Heaters

SS Premium Water Heater 20 L	230V	1200W	Part No. 08-02-040
SS Premium Water Heater 30 L	230V	1200W	Part No. 08-02-041
SS Premium Water Heater 40 L	230V	1200W	Part No. 08-02-042
SS Premium Water Heater 60 L	230V	1200W	Part No. 08-02-043
SS Premium Water Heater 80 L	230V	1200W	Part No. 08-02-044



# Albin Group

since 1928

**Albin Group AB**

Kämpevägen 17

55302 Jönköping, Sweden

[info@albin.group](mailto:info@albin.group)

[www.albin.group](http://www.albin.group)